

1ST PRINTING JULY '02

SEGA



Owner's Manual



SEGA ENTERPRISES, INC. USA

MANUAL NO. 999-1479

BEFORE USING THE PRODUCT, BE SURE TO READ THE FOLLOWING:

To maintain the safety:

To ensure the safe usage of the product, be sure to read the following before using the product. The following instructions are intended for the users, operators and the personnel in charge of the operation of the product. After carefully reading and sufficiently understanding the warning displays and cautions, handle the product appropriately. Be sure to keep this manual nearby the product or elsewhere convenient for referring to it when necessary.

Herein, explanations which require special attention are enclosed with dual lines. Depending on the potentially hazardous degrees, the terms of WARNING, CAUTION, etc. are used. Be sure to understand the contents of the displays before reading the text.



Indicates that mishandling the product by disregarding this warning will cause a potentially hazardous situation which can result in death or serious injury.



Indicates that mishandling the product by disregarding this caution will cause a slight hazardous situation which can result in personal injury and or material damage.

For the safe usage of the product, the following pictographs are used:



Indicates “HANDLE WITH CARE.” In order to protect the human body an equipment, this display is attached to places where the Owner’s Manual and or Service Manual should be referred to.

- **Perform work in accordance with the instructions herein stated.**
Instructions for work are explained by paying attention to the aspect of accident prevention. Failing to perform work as per the instructions can cause accidents. In the case where only those who have technical expertise should perform the work to avoid hazardous situation, the instructions herein state that the serviceman should perform such work.
- **Be sure to turn off power before working on the machine.**
To prevent electric shock, be sure to turn off power before starting the work in which the worker touches the interior of the product. If the work is to be performed in the power-on status, the Instruction Manual herein always states to that effect.
- **Be sure to ground the Earth Terminal** (this, however, is not required in the case where a power cord with earth is used).
This product is equipped with the Earth Terminal. When installing the product, Connect the Earth Terminal to the “accurately grounded indoor earth terminal” by using an earth wire. Unless the product is grounded appropriately, the user can be subject to electric shock. After performing repair, etc. for the Control equipment, ensure that the Earth Wire is firmly connected to the Control equipment.
- **Ensure that the Power Supply used is equipped with an Earth Leakage Breaker.**
This product does not incorporate the Earth Leakage Breaker. Using a power supply which is not equipped with the Earth Leakage Breaker can cause a fire when earth leakage occurs.
- **Be sure to use fuses which meet the specified rating.** (only for the machines which use fuses).
Using fuses exceeding the specified rating can cause a fire and electric shock.

- **Specification changes (removal of equipment, conversion and addition) not designated by SEGA are not allowed.**
The parts of the product include warning labels for safety, covers for personal protection, etc. It is very hazardous to operate the product by removing parts and or modifying the circuits. Should doors, lids and protective parts be damaged or lost, refrain from operating the product, and contact where the product was purchased from or the office herein stated. SEGA shall not be held responsible for any accidents, compensation for damage to a third party, resulting from the specifications not designated by SEGA.
 - **Ensure that the product meets the requirements of appropriate Electrical Specifications.**
Before installing the product, check for Electrical Specifications. SEGA products have a nameplate on which Electrical Specifications are described. Ensure that the product is compatible with the power supply voltage and frequency requirements of the location. Using any Electrical Specifications different from the designated Specifications can cause a fire and electric shock.
 - **Install and operate the product in places where appropriate lighting is available, allowing warning labels to be clearly read.**
To ensure safety for the customers, labels and printed instructions describing potentially hazardous situation are applied to places where accidents can be caused. Ensure that where the product is operated has sufficient lighting allowing the warnings to be read. If any label is peeled off, apply it again immediately. Please place an order with where the product was purchased from or the office herein stated.
 - **When handling the Monitor, be very careful. (Applies only to the product w/monitor.)**
Some of the monitor (TV) parts are subject to high tension voltage. Even after running off power, some portions are still subject to high tension voltage sometimes. Monitor repair and replacement should be performed only by those technical personnel who have knowledge of electricity and technical expertise.
 - **Be sure to adjust the monitor (projector) properly. (Applies only to the product w/monitor.)**
Do not operate the product leaving on-screen flickering or blurring as it is. Using the product with the monitor not properly adjusted may cause dizziness or a headache to an operator, a player, or the customers.
 - **When transporting or reselling this product, be sure to attach this manual to the product.**
In the case where commercially available monitors and printers are used in this product, only the contents relating to this product are explained herein. Some commercially available equipment has functions and reactions not stated in this manual. Read this manual together with the specific Instruction Manual of such equipment.
- Descriptions herein contained may be subject to improvement changes without notice.
 - The contents described herein are fully prepared with due care. However, should any question arise or errors be found, please contact SEGA.

INSPECTIONS IMMEDIATELY AFTER TRANSPORTING THE PRODUCT TO THE LOCATION.

Normally, at the time of shipment, SEGA products are in a status allowing for usage immediately after transporting to the location. Nevertheless, an irregular situation may occur during transportation. Before turning on power, check the following points to ensure that the product has been transported in a satisfactory status.

- Are there any dented portions or defects (cuts, etc.) on the external surfaces of the cabinet?
- Are Casters and Adjusters, damaged?
- Do the power supply voltage and frequency requirements meet with those of the location?
- Are all wiring connectors correctly and securely connected? Unless connected in the correct direction, connector connections can not be made accurately. Do not insert connectors forcibly.
- Do power cords have cuts and dents?
- Do the fuses used meet specified rating? Is the Circuit Protector in an energized status?
- Are all accessories available?
- Can all Doors and Lids be opened with the Accessory keys? Can Doors and Lids be firmly closed?

TABLE OF CONTENTS

BEFORE USING THE PRODUCT, BE SURE TO READ THE FOLLOWING:

TABLE OF CONTENTS

INTRODUCTION OF THE OWNER'S MANUAL

1. HANDLING PRECAUTIONS.....	1
2. PRECAUTIONS CONCERNING INSTALLATION LOCATION	3
3. OPERATION	5
4. NAME OF PARTS.....	11
5. ACCESSORIES	12
6. ASSEMBLING AND INSTALLATION	15
7. PRECAUTIONS TO BE HEEDED WHEN MOVING THE MACHINE	36
8. GAME CONTENTS.....	39
9. EXPLANATION OF TEST AND DATA DISPLAY	54
10. MAINTENANCE OF SURFBOARD MECHANISM UNIT	68
10-1 ADJUSTMENT/REPLACEMENT OF THE SWING DIRECTION VOLUME.....	68
10-2 ADJUSTMENT/REPLACEMENT OF THE ROLL DIRECTION VOLUME ...	74
10-3 PITCH DETECTION VOLUME REPLACEMENT	80
10-4 GREASING	83
10-5 REPLACING THE BELLOWS	86
11. PROJECTOR	91
11-1 CLEANING THE SCREEN	91
11-2 PROJECTOR ADJUSTMENT	92
12. COIN SELECTOR.....	102
13. REPLACING THE FLUORESCENT LAMP, AND LAMPS.....	106
14. PERIODIC INSPECTION TABLE	114
15. TROUBLESHOOTING.....	115
16. GAME BOARD.....	117
16-1 REMOVING THE GAME BOARD	117
16-2 COMPOSITION OF GAME BOARD.....	119
17. DESIGN RELATED PARTS	120
18. PARTS LIST	121
19. WIRE COLOR CODE TABLE	186
20. WIRING DIAGRAM.....	XXX

SPECIFICATIONS

Installation space	: 54.3 in. (W) × 113.0 in(D)
Height	: 88.6 in.
Weight	: 1,115.5 lbs.
Power, maximum current	: 443 W 4.7 A (AC 120 V 60 Hz AREA) 444 W 2.6 A (AC 220 V 50 Hz AREA) 429 W 2.5 A (AC 220 V 60 Hz AREA) 440 W 2.5 A (AC 230 V 50 Hz AREA) 447 W 2.4 A (AC 240 V 50 Hz AREA)
For TAIWAN	
Power, current	: 450 W 5.3 A (MAX.) 280 W 3.4 A (MIN.)
MONITOR	: 50 TYPE PROJECTION DISPLAY

INTRODUCTION OF THE OWNER'S MANUAL

This Owner's Manual is intended to provide detailed descriptions together with all the necessary information covering the general operation of electronic assemblies, electromechanicals, servicing control, spare parts, etc. as regards the product,

SOUL SURFER.

This manual is intended for the owners, personnel and managers in charge of operation of the product. Operate the product after carefully reading and sufficiently understanding the instructions. If the product fails to function satisfactorily, non-technical personnel should under no circumstances touch the internal system. Should any malfunctioning occur, turn the power off and unplug the AC Cable (Power Cord), and contact where the product was purchased from.

Use of this product is unlikely to cause physical injuries or damages to property. However, where special attention is required this is indicated by a thick line, the word "IMPORTANT" and its sign in this manual.



Indicates that mishandling the product by disregarding this display can cause the product's intrinsic performance not to be obtained, resulting in malfunctioning.

SEGA ENTERPRISES, INC. (U.S.A.)/CUSTOMER SERVICE
45133 Industrial Drive, Fremont, California 94538, U.S.A.

Phone: (415) 701-6580

Facsimile: (415) 701-6594

DEFINITION OF LOCATION'S MAINTENANCE MAN AND SERVICEMAN



Non-technical personnel who do not have technical knowledge and expertise should refrain from performing such work that this manual requires the location's maintenance man or a serviceman to carry out, or work which is not explained in this manual. Failing to comply with this instruction can cause a severe accident such as electric shock.

Ensure that parts replacement, servicing & inspections, and troubleshooting are performed by the location's maintenance man or the serviceman. It is instructed herein that particularly hazardous work should be performed by the serviceman who has technical expertise and knowledge.

The location's maintenance man and serviceman are herein defined as follows:

"Location's Maintenance Man" :

Those who have experience in the maintenance of amusement equipment and vending machines, etc., and also participate in the servicing and control of the equipment through such routine work as equipment assembly and installation, servicing and inspections, replacement of units and consumables, etc. within the Amusement Facilities and or locations under the management of the Owner and Owner's Operators of the product.

Activities of Location's Maintenance Man :

Assembly & installation, servicing & inspections, and replacement of units & consumables as regards amusement equipment, vending machines, etc.

Serviceman :

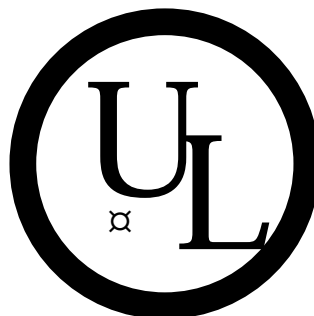
Those who participate in the designing, manufacturing, inspections and maintenance service of the equipment at an amusement equipment manufacturer.

Those who have technical expertise equivalent to that of technical high school graduates as regards electricity, electronics and or mechanical engineering, and daily take part in the servicing & control and repair of amusement equipment.

Serviceman's Activities :

Assembly & installation and repair & adjustments of electrical, electronic and mechanical parts of amusement equipment and vending machines.

LISTED



5K92

AMUSEMENT MACHINE

1. HANDLING PRECAUTIONS

When installing or inspecting the machine, be very careful of the following points and pay attention to ensure that the player can enjoy the game safely.

Non-compliance with the following points or inappropriate handling running counter to the cautionary matters herein stated can cause personal injury or damage to the machine.



- Before performing work, be sure to turn power off. Performing the work without turning power off can cause an electric shock or short circuit. In the case work should be performed in the status of power on, this manual always states to that effect.
- To avoid electric shock or short circuit, do not plug in or unplug quickly.
- To avoid electric shock, do not plug in or unplug with a wet hand.
- Do not expose Power Cords and Earth Wires on the surface, (floor, passage, etc.). If exposed, the Power Cords and Earth Wires are susceptible to damage. Damaged cords and wires can cause electric shock or short circuit.
- To avoid causing a fire or electric shock, do not put things on or damage Power Cords.
- When or after installing the product, do not unnecessarily pull the power cord. If damaged, the power cord can cause a fire or electric shock.
- In case the power cord is damaged, ask for replacement through where the product was purchased from or the office herein stated. Using the cord as is damaged can cause fire, electric shock or leakage.
- Be sure to perform grounding appropriately. Inappropriate grounding can cause an electric shock.
- Be sure to use fuses meeting specified rating. Using fuses exceeding the specified rating can cause a fire or electric shock.
- Completely make connector connections for IC BD and others. Insufficient insertion can cause an electric shock.
- Specification changes, removal of equipment, conversion and/or addition, not designated by SEGA are not permitted.
 - Failure to observe this may cause a fire or an electric shock. Non-compliance with this instruction can have a bad influence upon physical conditions of the players or the lookers-on, or result in injury during play.
 - SEGA shall not be held responsible for damage, compensation for damage to a third party, caused by specification changes not designated by SEGA.
- Be sure to perform periodic maintenance inspections herein stated.



- For the IC board circuit inspections, only the logic tester is allowed. The use of a multiple-purpose tester is not permitted, so be careful in this regard.
- The Projector is employed for this machine. The Projector's screen is susceptible to damage, therefore, be very careful when cleaning the screen. For details, refer to PROJECTOR.
- Some parts are the ones designed and manufactured not specifically for this game machine. The manufacturers may discontinue, or change the specifications of, such general-purpose parts. If this is the case, Sega cannot repair or replace a failed game machine whether or not a warranty period has expired.

2. PRECAUTIONS CONCERNING INSTALLATION LOCATION



This product is an indoor game machine. Do not install it outside. Even indoors, avoid installing in places mentioned below so as not to cause a fire, electric shock, injury and or malfunctioning.

- Places subject to rain or water leakage, or places subject to high humidity in the proximity of an indoor swimming pool and or shower, etc.
- Places subject to direct sunlight, or places subject to high temperatures in the proximity of heating units, etc.
- Places filled with inflammable gas or vicinity of highly inflammable/volatile chemicals or hazardous matter.
- Dusty places.
- Sloped surfaces.
- Places subject to any type of violent impact.
- Vicinity of anti-disaster facilities such as fire exits and fire extinguishers.
- The operating (ambient) temperature range is from 5° to 30°.

LIMITATIONS OF USAGE REQUIREMENTS



- Be sure to check the Electrical Specifications.
Ensure that this product is compatible with the location's power supply, voltage and frequency requirements.
A plate describing Electrical Specifications is attached to the product.
Non-compliance with the Electrical Specifications can cause a fire and electric shock.
- This product requires the Breaker and Earth Mechanisms as part of the location facilities. Using them in a manner not independent can cause a fire and electric shock.
- Ensure that the indoor wiring for the power supply is rated at 15 A or higher (AC single phase 100 ~ 120 V area), and 10 A or higher (AC 220 ~ 240 V area). Non-compliance with the Electrical Specifications can cause a fire and electric shock.
- Be sure to independently use the power supply equipped with the Earth Leakage Breaker. Using a power supply without the Earth Leakage Breaker can cause an outbreak of fire when earth leakage occurs.
- Putting many loads on one electrical outlet can cause generation of heat and a fire resulting from overload.
- When using an extension cord, ensure that the cord is rated at 15 A or higher (AC 100 ~ 120 V area) and 10 A or higher (AC 220 ~ 240 V area). Using a cord rated lower than the specified rating can cause a fire and electric shock.

OPERATION AREA



- For the operation of this machine, secure a minimum area of 74.8 inches (W) × 137.8 inches (D). In order to prevent injury resulting from the falling down accident during game play, be sure to secure the minimum area for operation.
- Be sure to provide sufficient space so as to allow this product's ventilation fan to function efficiently. To avoid machine malfunctioning and a fire, do not place any obstacles near the ventilation opening.
- SEGA shall not be held responsible for damage, compensation for damage to a third party, resulting from the failure to observe this instruction.



For transporting the machine into the location's building, the minimum necessary dimensions of the opening (of doors, etc.) are 55.1 inches (W) and 66.9 inches (H).

Electric current consumption

MAX. 4.7 A (AC 120 V 60 Hz)
MAX. 2.6 A (AC 220 V 50 Hz)
MAX. 2.5 A (AC 220 V 60 Hz)
MAX. 2.5 A (AC 230 V 50 Hz)
MAX. 2.4 A (AC 240 V 50 Hz)

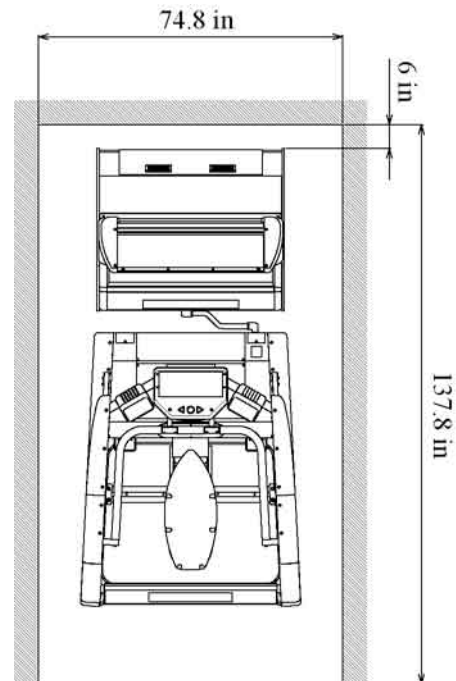


FIG. 2

3. OPERATION

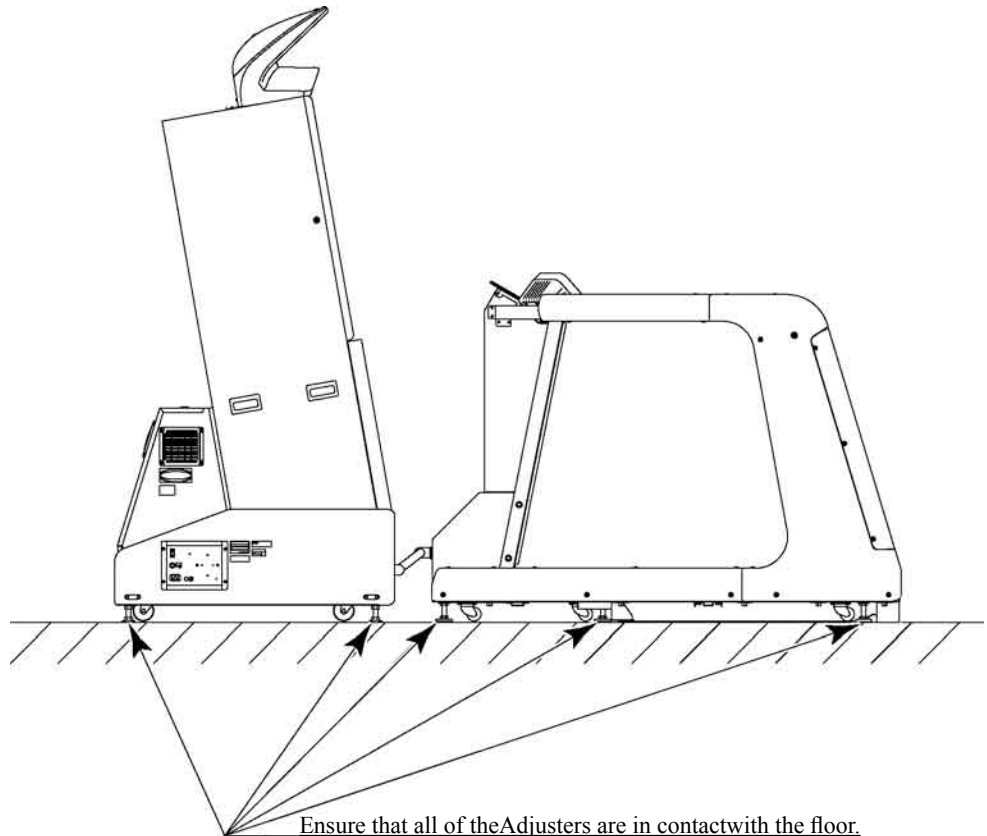
PRECAUTIONS TO BE HEEDED BEFORE STARTING THE OPERATION

To avoid injury and trouble, be sure to constantly give careful attention to the behavior and manner of the visitors and players.



In order to avoid accidents, check the following before starting the operation:

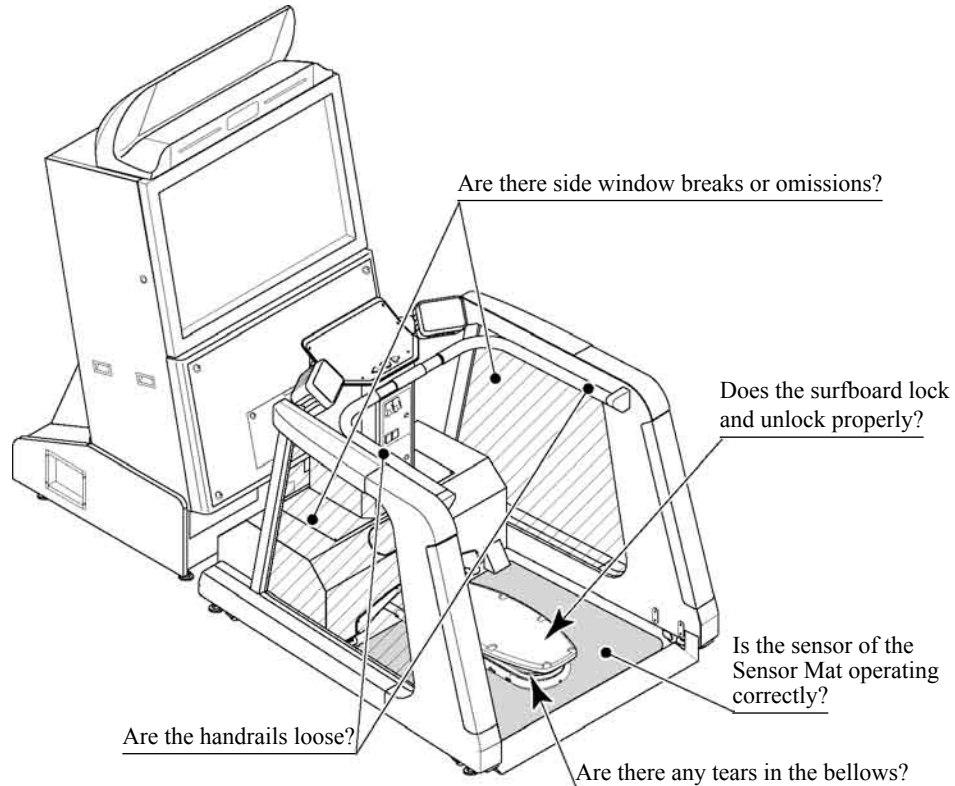
- To ensure maximum safety for the players and the customers, ensure that where the product is operated has sufficient lighting to allow any warnings to be read. Operation under insufficient lighting can cause bodily contact with each other, hitting accident, and or trouble between customers.
- Be sure to perform appropriate adjustment of the monitor (projector). For operation of this machine, do not leave monitor's flickering or deviation as is. Failure to observe this can have a bad influence upon the players' or the customers' physical conditions.
- It is suggested to ensure a space allowing the players who feel sick while playing the game to take a rest.
- Check if all of the adjusters are in contact with the surface. If they are not, the Cabinet can move and cause an accident.





WARNING!

- Perform a test run and confirm whether the surfboard is locks and unlocks properly.
- Be sure to take particular care to conduct the Sensor Mat input test. Failing to conduct the test and operating the machine when the Sensor Mat is not in optimum condition may cause accidents.



- Do not put any heavy item on this product. Placing any heavy item on the product can cause a falling down accident or parts damage.
- Do not climb on the product. Climbing on the product can cause falling down accidents. To check the top portion of the product, use a step.
- To avoid electric shock, check to see if door & cover parts are damaged or omitted.
- To avoid electric shock, short circuit and or parts damage, do not put the following items on or in the periphery of the product.
Flower vases, flowerpots, cups, water tanks, cosmetics, and receptacles/containers/vessels containing chemicals and water.



CAUTION!

To avoid injury, be sure to provide sufficient space by considering the potentially crowded situation at the installation location. Insufficient installation space can cause making bodily contact with each other, hitting accidents, and or trouble between customers.

PRECAUTIONS TO BE HEHEDED DURING OPERATION (PAYING ATTENTION TO CUSTOMERS)

To avoid injury and trouble, be sure to constantly give careful attention to the behavior and manner of the visitors and players.



- To avoid injury and accidents, those who fall under the following categories are not allowed to play the game.
 - Those who need assistance such as the use of an apparatus when walking.
 - Those who have high blood pressure or a heart problem.
 - Those who have experienced muscle convulsion or loss of consciousness when playing video game, etc.
 - Those who have a trouble in the neck and or spinal cord.
 - Intoxicated persons.
 - Pregnant women or those who are in the likelihood of pregnancy.
 - Persons susceptible to motion sickness.
 - Persons whose act runs counter to the product's warning displays.
- A player who has never been adversely affected by light stimulus might experience dizziness or headache depending on his physical condition when playing the game. Especially, small children can be subject to those conditions. Caution guardians of small children to keep watch on their children during play.
- Instruct those who feel sick during play to have a medical examination.
- To avoid injury resulting from falling down and electric shock due to spilled drinks, instruct the player not to place heavy items or drinks on the product.
- To avoid electric shock and short circuit, do not allow customers to put hands and fingers or extraneous matter in the openings of the product or small openings in or around the doors.
- To avoid falling down and injury resulting from falling down, immediately stop the customer's leaning against or climbing on the product, etc.
- To avoid electric shock and short circuit, do not allow the customers to unplug the power plug without a justifiable reason.

- Users can play the game if they are tall enough to grip the handrails after boarding the surfboard.

Instruct users who are less than 51.2 inches tall not to play the game. They may fall and injure themselves.

The height of the rear cabinet side wall is approximately 47.25 inches. The height of the speakers is approximately 51.2 inches. Use this as a guide to visually determine a user's height.





- Be sure to instruct players not to wear high-heeled shoes, as this increases the chances of an accident occurring. In addition, instruct players not to wear sneakers, sandals or other footwear that slips off easily when playing the game, as this increases the chances of an accident occurring.



- To avoid injury from potential falling down accidents, be sure to instruct that only one person is allowed to play at a time.



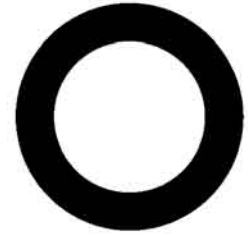
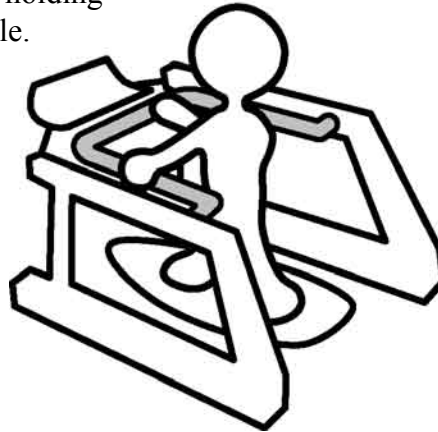
- Do not allow players to put any heavy item or beverages on the product. Falling down items can cause accidents and spilled beverages can cause electric shock.



Beverages



- Instruct the player to hold on firmly to the Safety Bar during game. Caution the customers who are most likely to cause injury by playing without holding the Safety Bar, for example.



- To avoid injury, do not allow persons other than the player to access to the Sensor Mat during game play. A sensor may work for insurance and the game may be interrupted.



- Instruct the player to play by standing on both feet. Standing on one leg to play can cause injury.





- Regarding this product, the weight of the player is limited to 330 lbs. To avoid machine damage and injury due to machine damage, playing by those who are as heavy as 330 lbs or heavier is strictly prohibited.



Weight 330 lbs or heavier

- Immediately stop such violent acts as hitting and kicking the product. Such violent acts can cause parts damage or falling down, resulting in injury due to fragments and falling down.



WARNING: HAZARD TO EPILEPTICS.

- A very small portion of the population has a condition which may cause them to experience epileptic seizures or have momentary loss of consciousness when viewing certain kinds of flashing lights or patterns that are present in our daily environment. These persons may experience seizures while watching some kinds of television pictures or playing certain video games. People who have not had any previous seizures may nonetheless have an undetected epileptic condition.
- If you or anyone in your family has experienced symptoms linked to an epileptic condition (e.g., seizures or loss of awareness), immediately consult your physician before using any video games.
- We recommend that parents observe their children while they play video games. If you or your child experience the following symptoms: dizziness, altered vision, eye or muscle twitching, involuntary movements, loss of awareness, disorientation, or convulsions, **DISCONTINUE USE IMMEDIATELY** and consult your physician.

4. NAME OF PARTS

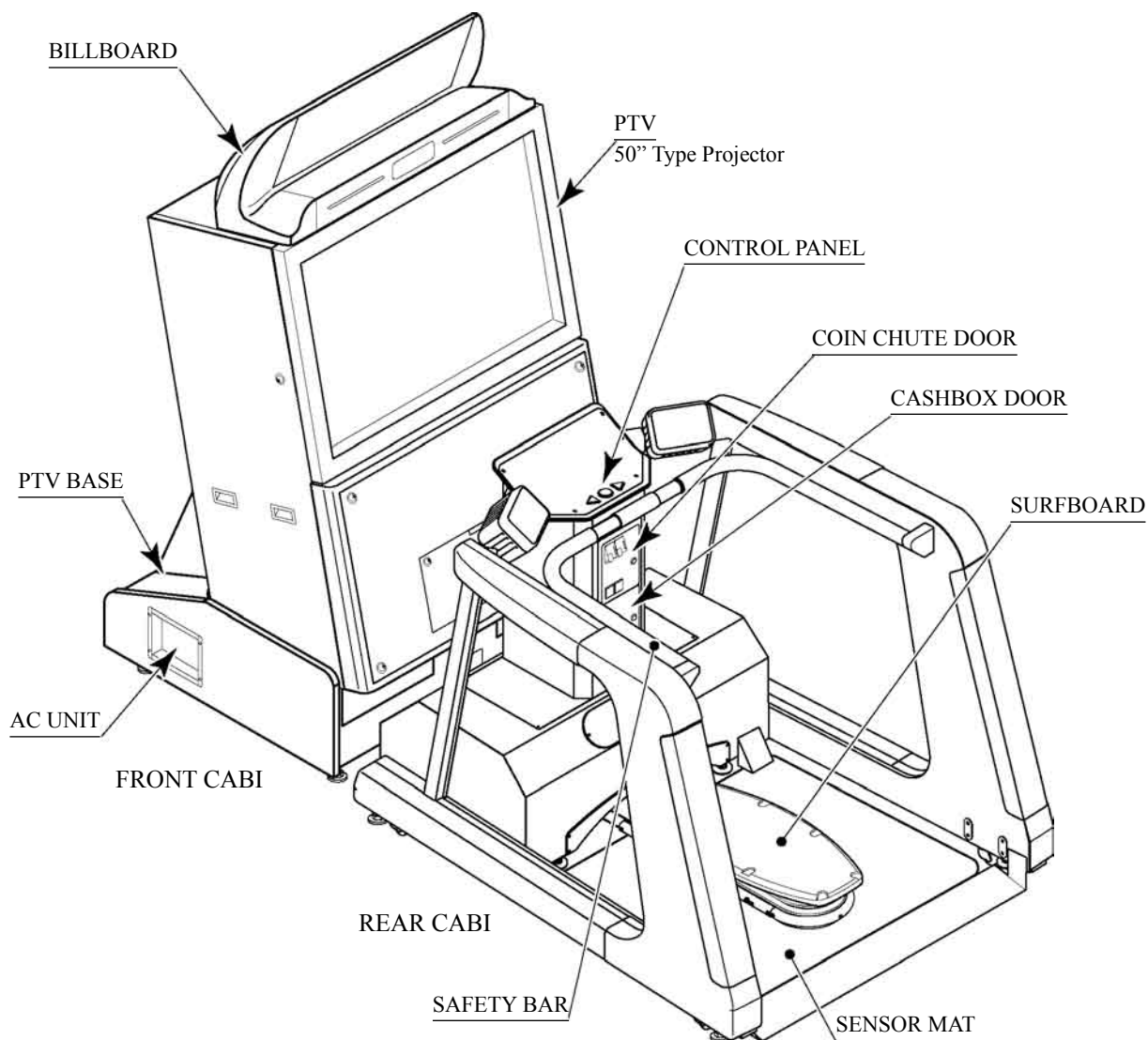


FIG. 4 a OVERVIEW

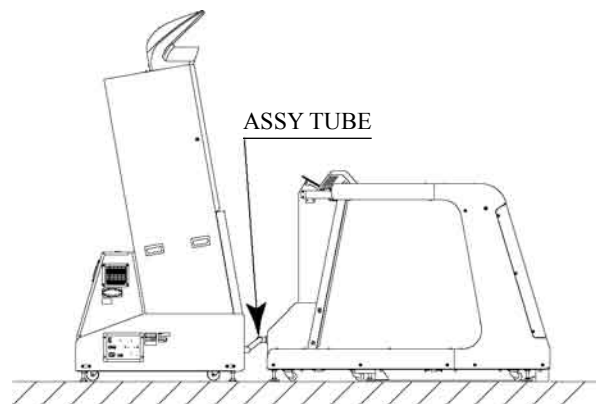


FIG. 4 b

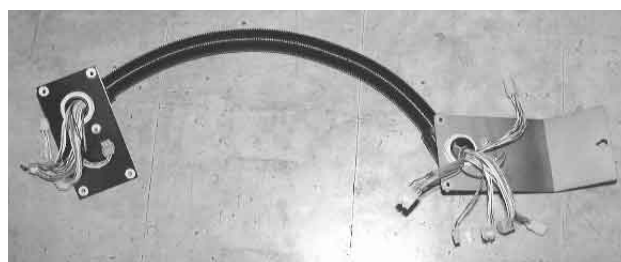


PHOTO 4 ASSY TUBE

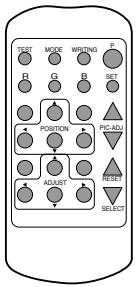
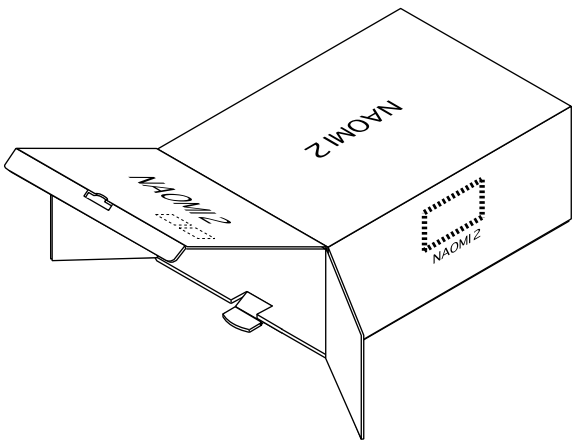
TABLE 4 Dimensions and Weights

	Width × Depth × Height	Weight
PTV (50 type Projector)	44.9 inches × 20.6 inches × 65.7 inches	220.0 lbs
PTV BASE (FRONT CABI)	46.9 inches × 40.1 inches × 30.9 inches	169.4 lbs
BILLBOARD	45.3 inches × 16.9 inches × 12.2 inches	37.4 lbs
REAR CABI	54.3 inches × 67.7 inches × 50.4 inches	638 lbs
When assembled	54.3 inches × 113 inches × 88.6 inches	1113.2 lbs

5. ACCESSORIES

When transporting the machine, make sure that the following parts are supplied.

TABLE 5 ACCESSORIES

<p>DESCRIPTION OWNERS MANUAL Part No. (Qty.) 999-1479 (1) Note Figures Parts not labeled with part numbers are as yet unregistered or cannot be registered. Be sure to handle all parts with care, as some parts are not available for purchase separately.</p>	<p>KEY MASTER 9301A(2) For opening/closing the doors</p>	<p>KEY (2) For the CASHBOX DOOR The Keys are inside the Coin Chute Door at the time of shipment from the factory.</p>
<p>SERVICE MANUAL NAOMI2 ENG 420-6644-01 (1) Instruction Manual for the Game Board.</p>		
<p>TOSHIBA Remote Controller used for adjustment of the projector. See Section 11. 200-5536(1)</p>	<p>CARTON BOX 601-11044 (1) Used for transporting the Game Board. Refer to FIG. 5.</p>	
		
<p>The Remote Controller is attached to the Projector at the time of shipment.</p>		

HOW TO USE THE CARTON BOX



When transporting NAOMI 2 for repair/servicing, follow the instructions below. The accessory carton box is needed when transporting NAOMI 2 for repair/servicing. Be sure to safely store the Carton Box.

- When sending for repair/servicing, remove all of the wire harnesses and cables from the Filter BD in front.
- When transporting NAOMI 2 Main BD for the repair/servicing, ensure that the ROM BD used is in an as is installed status.
- When sending the NAOMI 2 Main BD for repair/servicing, be sure to put it in the accessory carton box together with the Shield Case.
- When putting NAOMI 2 SHIELD CASE in the carton box, the Leg Bracket need not be removed.
- By paying careful attention to the following Figure and the direction shown by on-Carton-Box printing, put the Shield Case in the Carton Box.
- The projected portions of the packing material is intended for cushioning. Therefore, do not bend the projected portions.

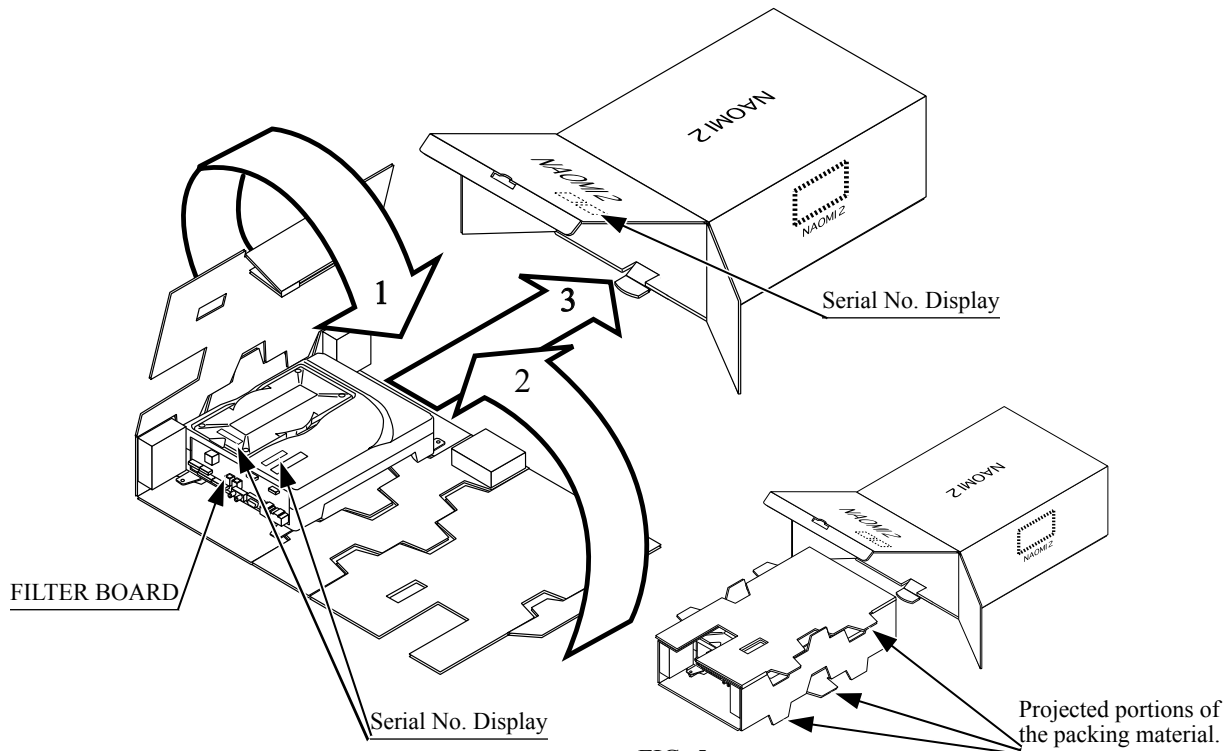


FIG. 5

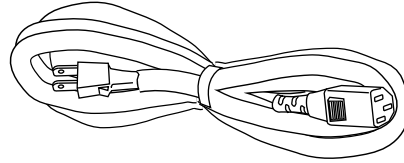
The following Table 5b lists the parts that had been separately packed when the product was shipped from the factory but are necessary when you use the product. These parts will be mounted on the product when installing and assembling it.

TABLE 5 b

AC Cable (Power Cord)

600-6695-01 (1) USA

Used for installation, see 4 of Section 6.



6. ASSEMBLING AND INSTALLATION



- Perform assembly work by following the procedure herein stated. Failing to comply with the instructions can cause electric shock hazard.
- Perform assembling as per this manual. Since this is a complex machine, erroneous assembling can cause an electric shock, machine damage and or not functioning as per specified performance.
- When assembling, be sure to use plural persons. Depending on the assembly work, there are some cases in which working by one person alone can cause personal injury or parts damage.
- Ensure that connectors are accurately connected. Incomplete connections can cause electric shock hazard.
- Be careful so as not to damage wirings. Damaged wiring can cause electric shock and short circuit hazards.
- Do not carelessly push the PTV. Pushing the PTV carelessly can cause the PTV to fall down.
- This work should be performed by the Location's Maintenance Man or Serviceman. Performing work by non-technical personnel can cause a severe accident such as electric shock. Failing to comply with this instruction can cause a severe accident such as electric shock to the player during operation.
- Provide sufficient space so that assembling can be performed. Performing work in places with narrow space or low ceiling may cause an accident and assembly work to be difficult.
- To perform work safely and avoid serious accident such as the cabinet's falling down, do not perform work in places where step-like grade differences, a ditch, or slope exist.



- When handling plastic parts, use care. Do not give a shock or apply excessive load to the fluorescent lamps and plastic parts. Failure to observe this can cause parts damage, resulting in injury due to fragments, cracks and broken pieces.
- To perform work safely and securely, be sure to prepare a step which is in a secure and stable condition. Performing work without using the step can cause violent falling down accidents.

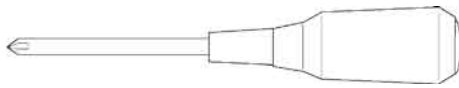


Assemble the game machine where it will be operated.
If there are steps between the place where the game is assembled and where it will be operated, it is necessary to disassemble and reassemble the game.
Be sure to read the cautions in Section 7 before moving the game.

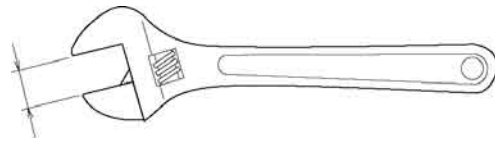
When carrying out the assembly work, follow the procedure in the following 6-item sequence:

- 1 ASSEMBLING THE PTV (FRONT CABI)
- 2 WIRING CONNECTIONS BETWEEN THE CABINETS
- 3 SECURING IN PLACE (ADJUSTER ADJUSTMENT)
- 4 POWER SUPPLY, AND EARTH CONNECTION
- 5 TURNING POWER ON
- 6 ASSEMBLING CHECK

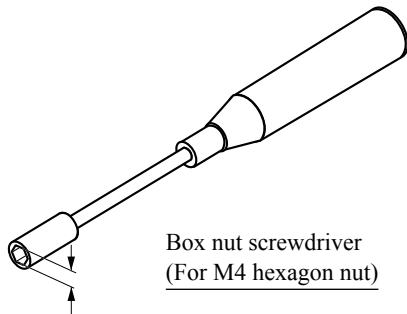
The master key (accessories) in addition to the tools such as a Phillips type screwdriver, Box nut screwdriver and wrench are required for the assembly work.



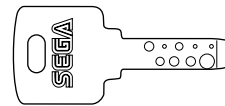
Phillips type screwdriver
(for M4,M5 screw)



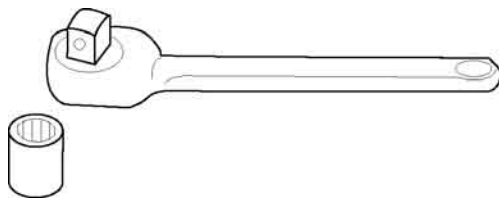
WRENCH (for M16 hexagon bolt)



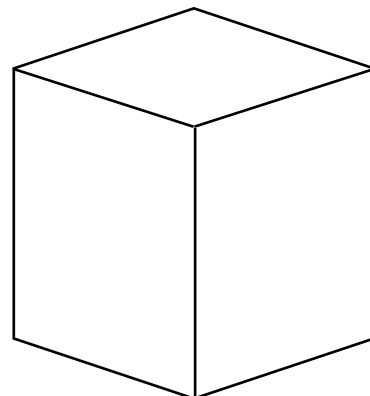
Box nut screwdriver
(For M4 hexagon nut)



KEY MASTER



SOCKET WRENCH (for M6, M8 hexagon-head bolt)



STEP

1 ASSEMBLING THE PTV (FRONT CABI)

- ① By using the specified screws, secure the 2 Mask Holders to the PTV ceiling.
- ② Insert the TV Mask from the underside as shown and secure with a total of 6 screws.

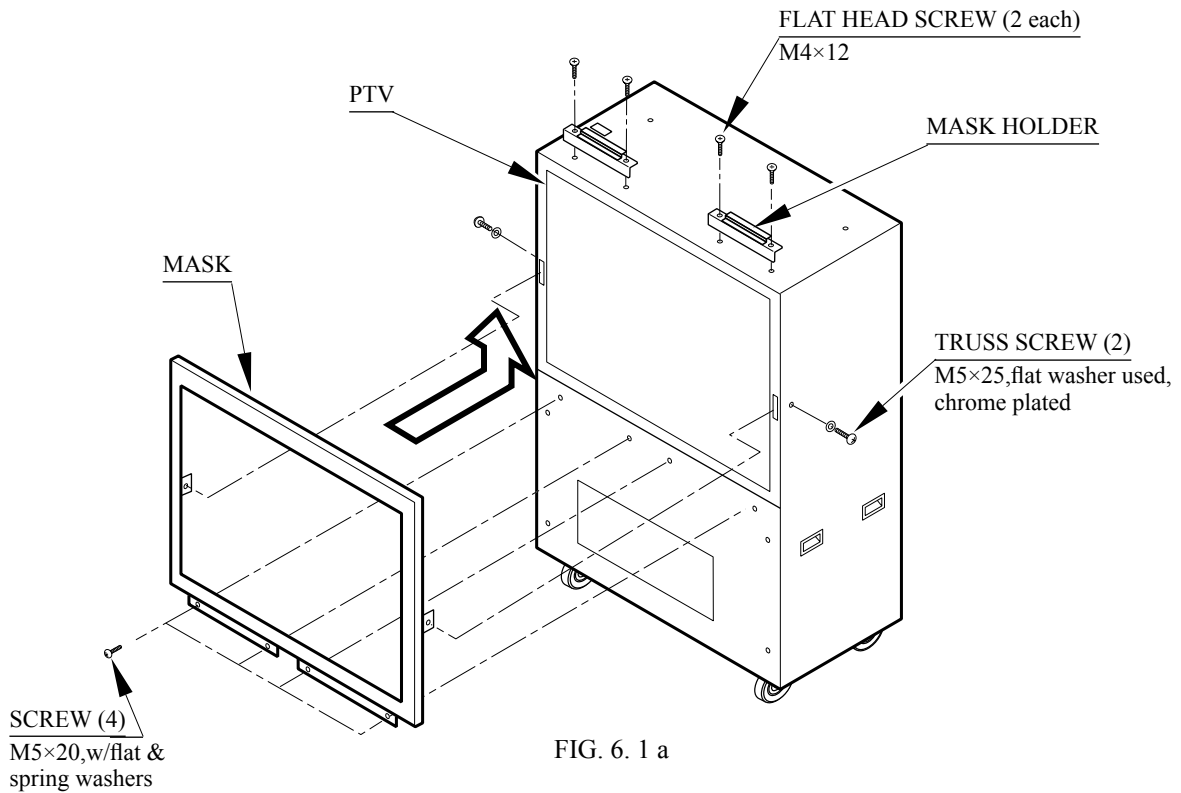
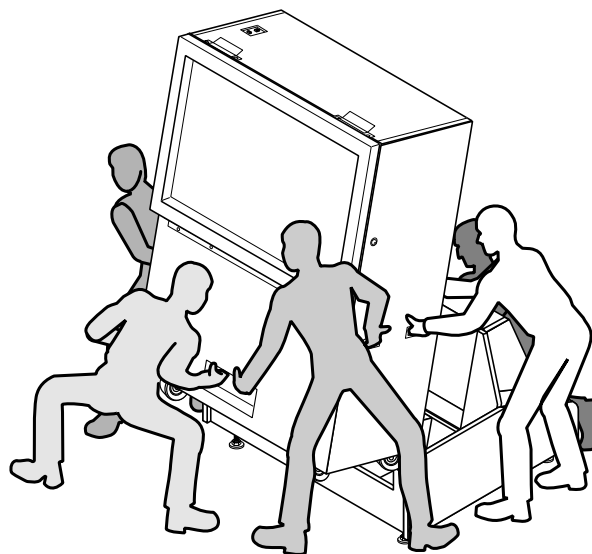


FIG. 6. 1 a

- ③ In order to prevent accidents during assembly work, have all of the Adjusters of the PTV Base make contact with the surfaces to secure the PTV Base.



For performing work, use 4 or more workers.

FIG. 6. 1 b

- ④ Mount the assembled PTV on the PTV Base. After mounting the PTV, move it to the rear part of the PTV Base. When performing this work, be sure to use 4 or more persons.
(FIG. 6. 1 b)
- ⑤ Install Panel Mount Bracket L and R to the front of the PTV by using 2 screws for each of them.

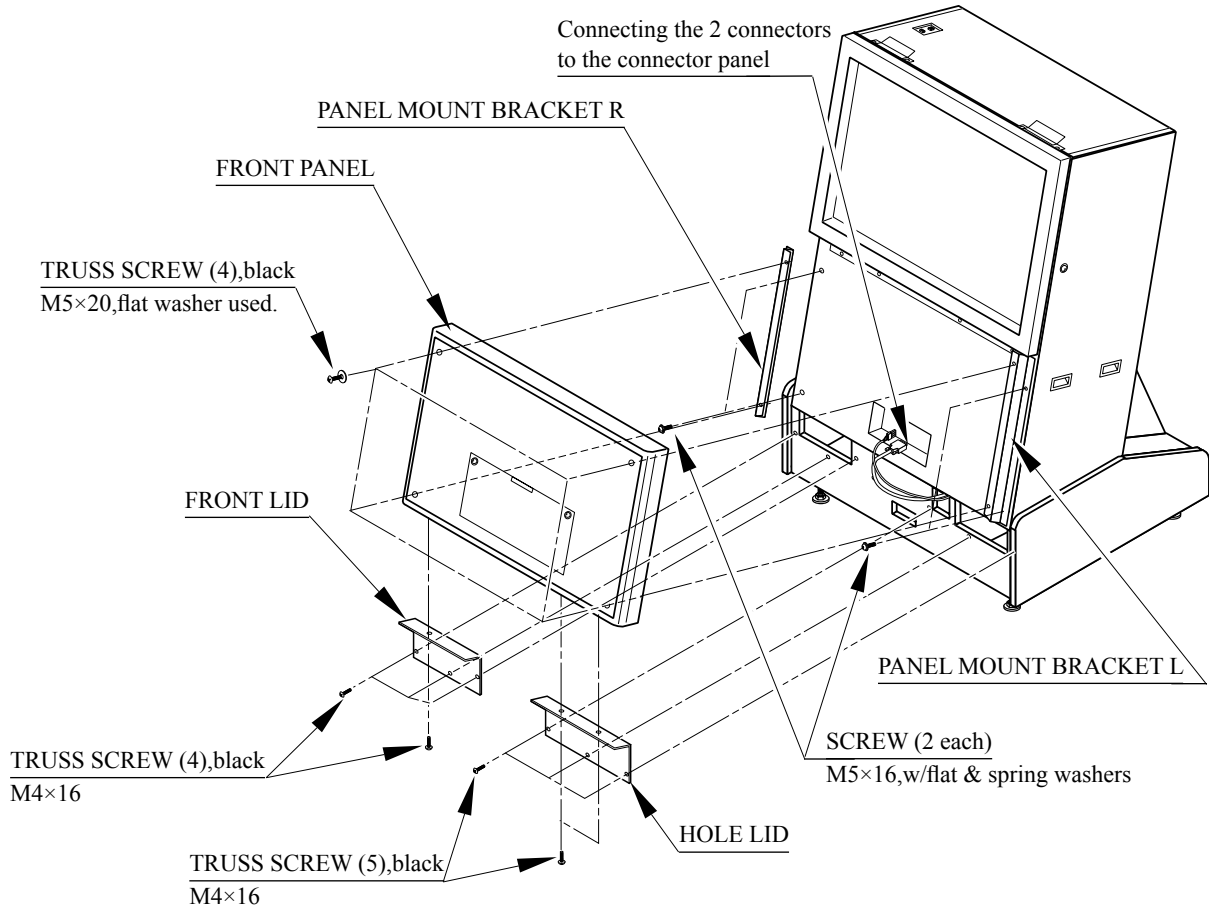


FIG. 6. 1 c

- ⑥ Connect the 2 connectors (1 for power supply, 1 for video signal) of the wires already connected to the PTV Base, to the 2 connectors on the PTV connector panel. The connectors can be inserted only in the fixed orientation. If you attempt to apply constrained force when inserting the connector, it may break. Fully make sure that it is in the correct orientation. The reflection signal connector has the securing screws at the both ends. After connecting, fasten the screws tightly.

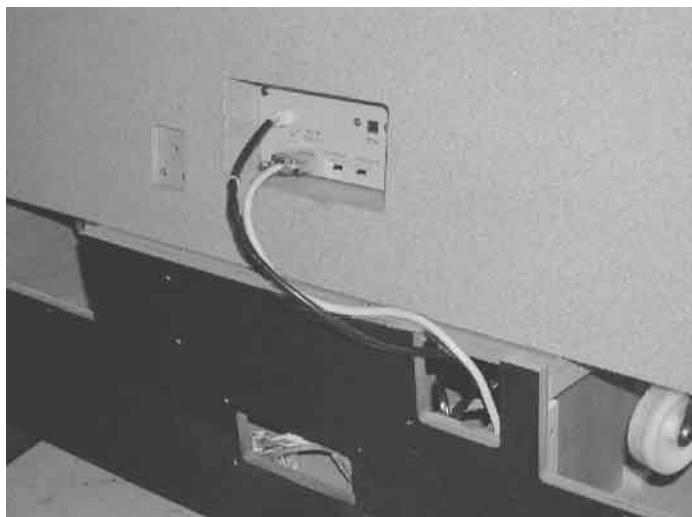


PHOTO 6. 1 a

- ⑦ Install the Front Panel to the front of PTV. Use the 4 truss screws for securing.

TRUSS SCREW (4),black
M5×20 flat washer used.

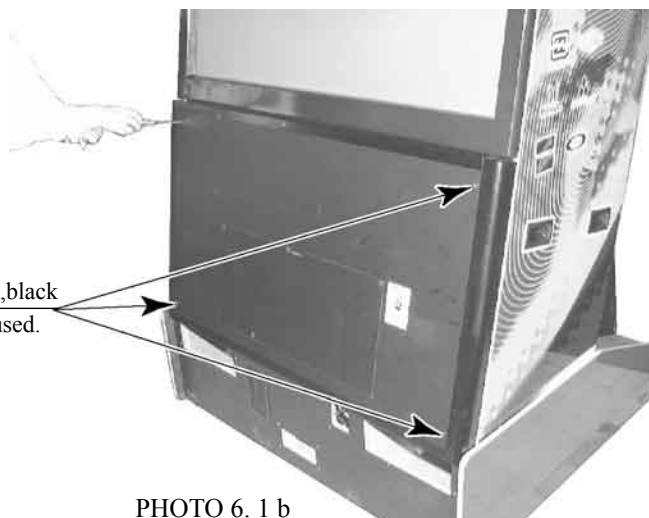


PHOTO 6. 1 b

- ⑧ Assemble the hole lid and the front lid under the front lid. When facing the PTV screen, the hole lid is to the right and the front lid is to the left. Five truss screws secure the hole lid and four truss screws secure the front lid.

FRONT LID

TRUSS SCREW (4),black
M4×16

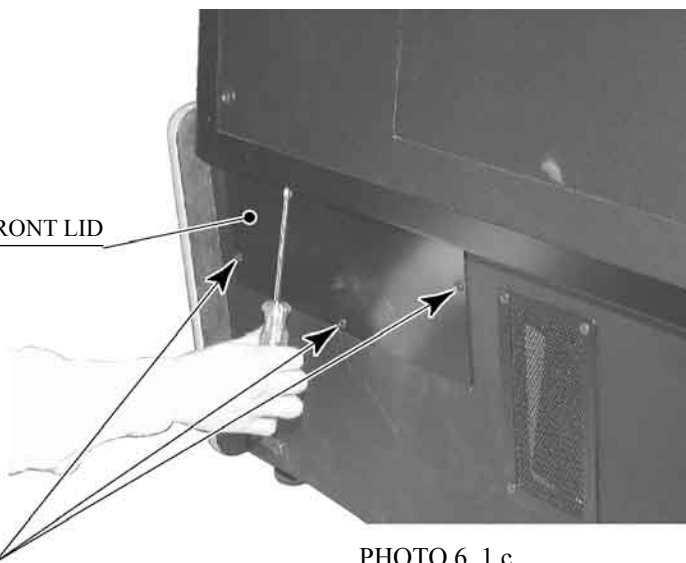
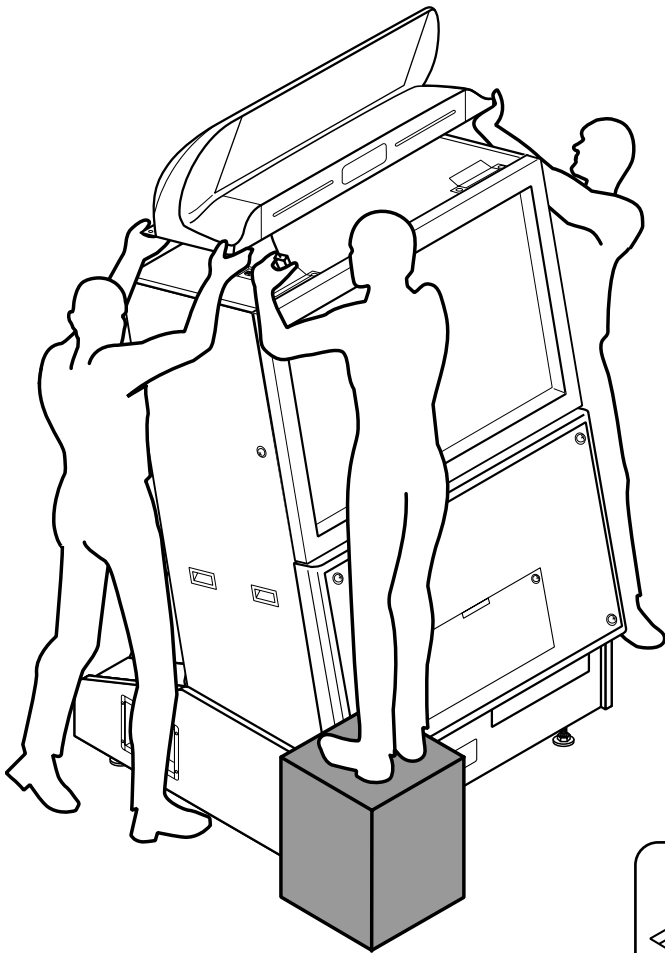


PHOTO 6. 1 c

- ⑨ Have three or more persons use the platform when performing the following operations. Set the billboard on top of the PTV top panel.
- ⑩ While 2 people hold the Billboard by, a third person using a step should connect the Billboard wire connector into the terminal board of the PTV top panel.
- ⑪ Insert the Billboard into the holder bracket, fix to PTV with the 2 screws.



For performing work, use 3 workers.

FIG. 6. 1 d

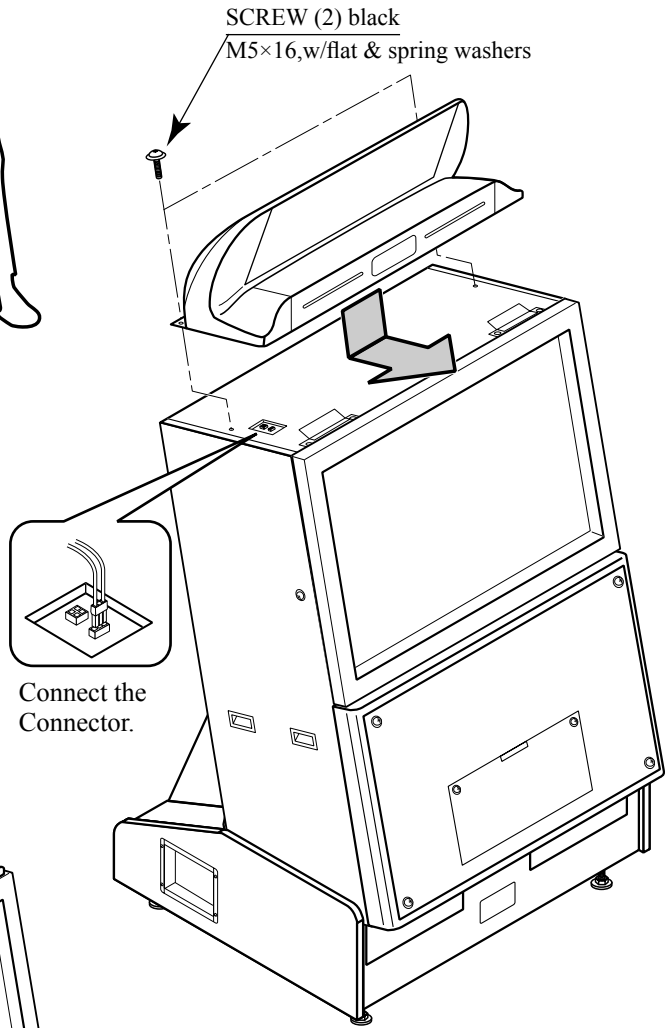
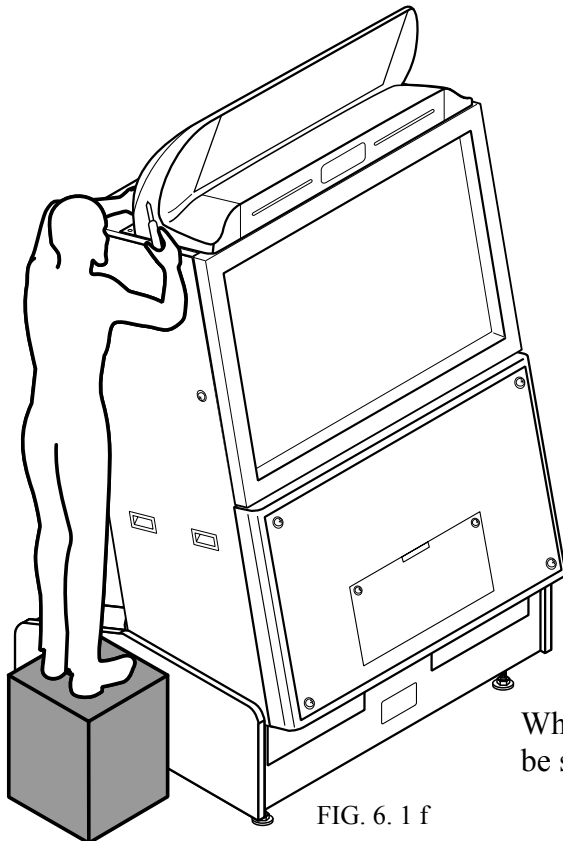


FIG. 6. 1 e



When performing work,
be sure to use a step.

FIG. 6. 1 f

2

WIRING CONNECTIONS BETWEEN THE CABINETS

With the ASSY Tube installed to the Front and Rear Cabinets, perform the cabinet-to-cabinet wiring. The connectors can be inserted only into those with the same number of pins, respectively, and can be inserted only in the fixed orientation. If you attempt to apply constrained force when inserting the connector, the connector or wiring may be damaged. Fully make sure that it is in the correct orientation.

- ① Bring the six wiring connectors and the ground out from the rear cabinet. Be careful not to trip over the wires as this may cause injury.
- ② There is a stud to secure the ground to the Assy Tube lid. Tighten the hexagon nut to this stud with the circular ground line terminal, the flat washer and the spring washer in that order.

Rear Cabinet Side

GROUND LINE

HEXAGON NUT (1) M4, flat & spring washers used.

TUBE LID

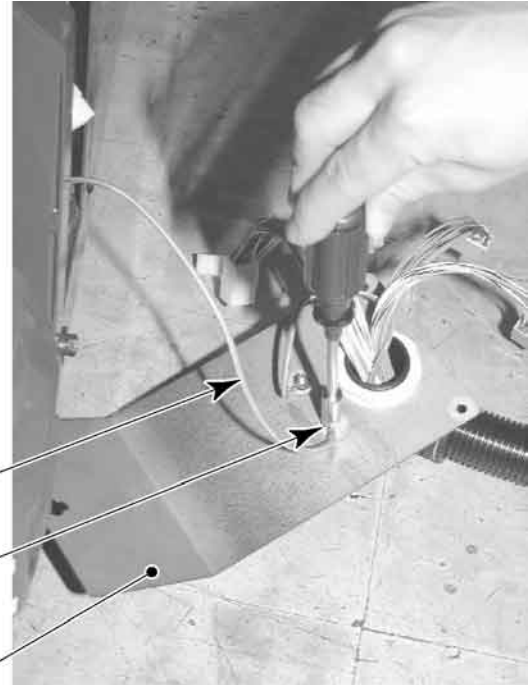


PHOTO 6. 2 a Secure the ground terminal.

- ③ Join the connector of the Assy Tube to the connector of the Rear Cabinet. Join the connectors to those with the same number of pins.

Connect the 6 Connectors.

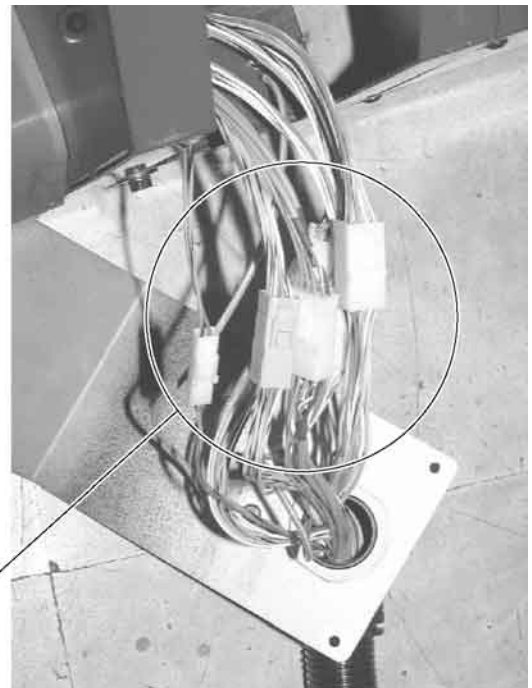


PHOTO 6. 2 b

- ④ Install the Tube Lid of the Assy Tube to the Rear Cabinet. Attach it using the 3 screws. Be careful not to pinch the wiring.

TRUSS SCREW (3),black
M4×16

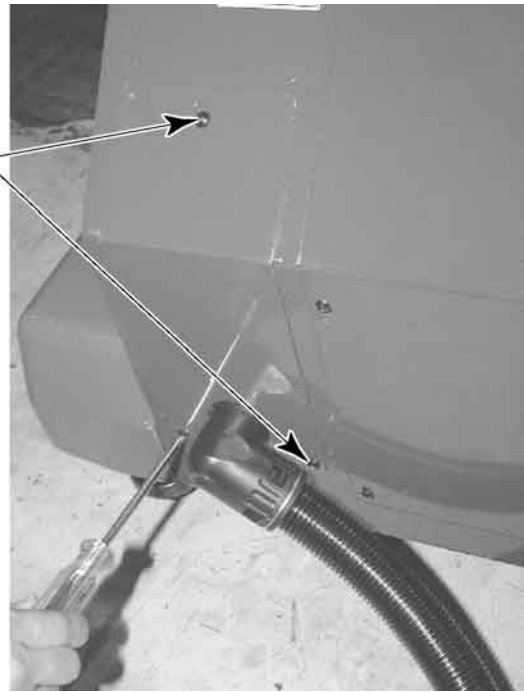


PHOTO 6. 2 c

- ⑤ Locate the Front and Rear Cabinets close to each other. If you apply too much force when joining the connectors, the wiring may be damaged.
- ⑥ Draw out the 6 wiring connectors and the ground line from the Rear Cabinet.
- ⑦ There is a stud to secure the ground line to the Assy Tube Plate. Tighten the hexagon nut to this stud with the circular ground line terminal, the flat washer and the spring washer in that order.

GROUND LINE

HEXAGON NUT (1)M4,flat & spring washers used.

TUBE PLATE

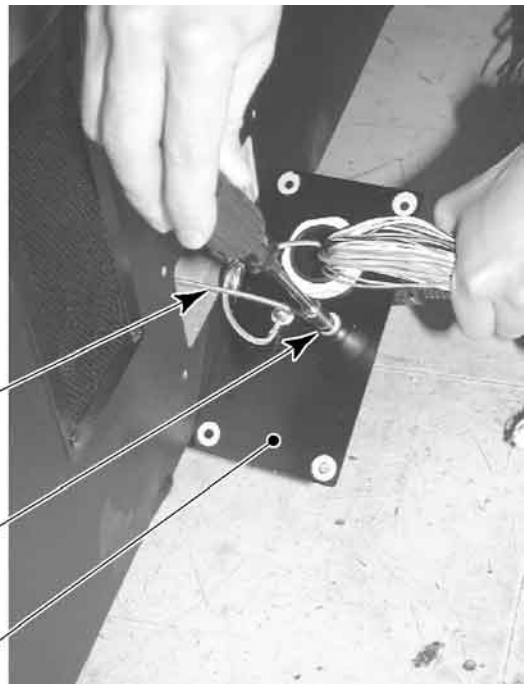


PHOTO 6. 2 d

- ⑧ Join the connector of the Assy Tube to the connector of the Front Cabinet. Join the connectors to those with the same number of pins, respectively.

Connect the 6 Connectors.

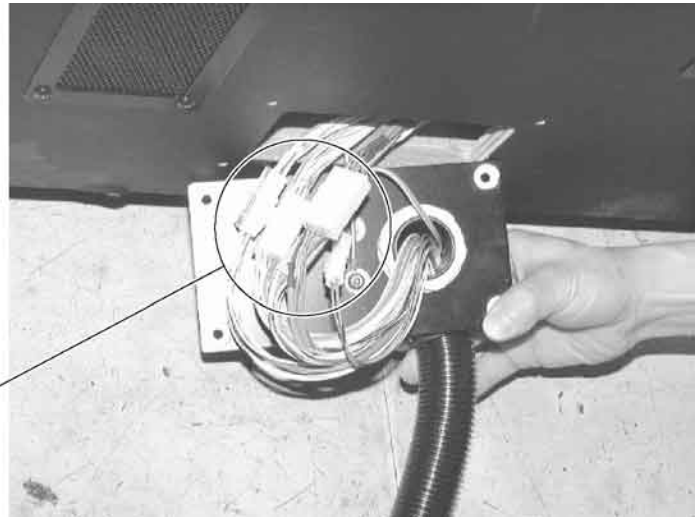


PHOTO 6. 2 e

TRUSS SCREW (4),black
M4×16

- ⑨ Install the Tube Lid of the Assy Tube to the Front Cabinet. Attach it using the 4 screws. Be careful not to pinch the wiring.

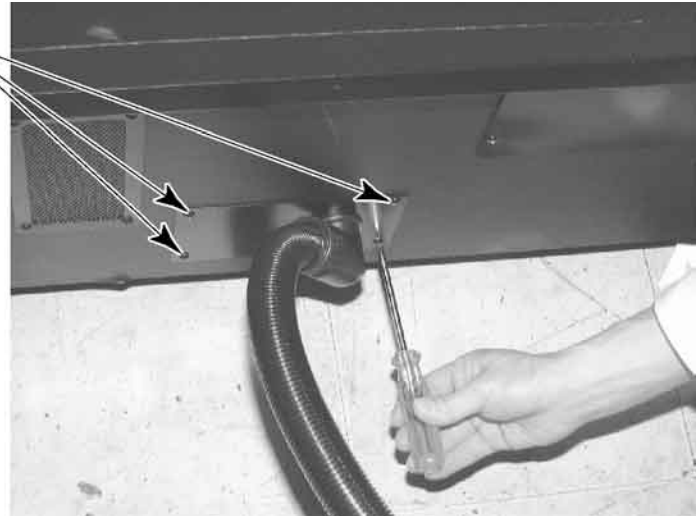


PHOTO 6. 2 f

3

SECURING IN PLACE (ADJUSTER ADJUSTMENT)



Make sure that all of the adjusters are in contact with the floor. If they are not, the cabinet can move and cause an accident.



Be careful to store the shipping beam as it is used when moving the rear cabinet with a forklift. Failure to assemble the shipping beam when using a forklift may result in damage or deformation of the parts.



There is a particular order to follow when landing the rear cabinet adjuster.

This machine has 10 casters (4 for the Front Cabinet, 6 for the Rear Cabinet) and 10 adjusters (4 for the Front Cabinet, 6 for the Rear Cabinet). (FIG. 6. 3 a)

When the installation position is determined, cause the adjusters to come into contact with the floor directly, make adjustments in a manner so that the casters will be raised approximately 5mm. from the floor and make sure that the machine position is level.

- ① Move the machine to the installation position. To ensure the safe operation of the product, provide sufficient space by adequately keeping the product away from wall surfaces and other cabinets.
- ② Remove the shipping beam from the rear cabinet. Remove the hexagon-head bolts (four in all). Store the shipping beam for later use.

HEXAGON-HEAD BOLT (4 in total), black
M8×100, w/spring washer, flat washer used.

SHIPPING BEAM

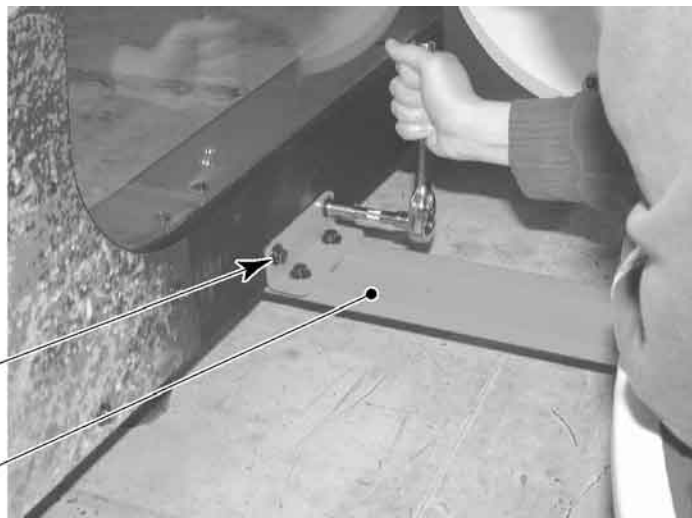
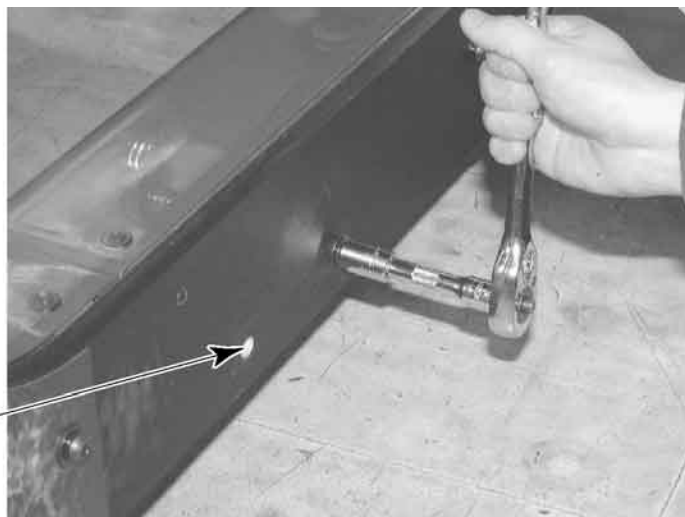


PHOTO 6. 3 a

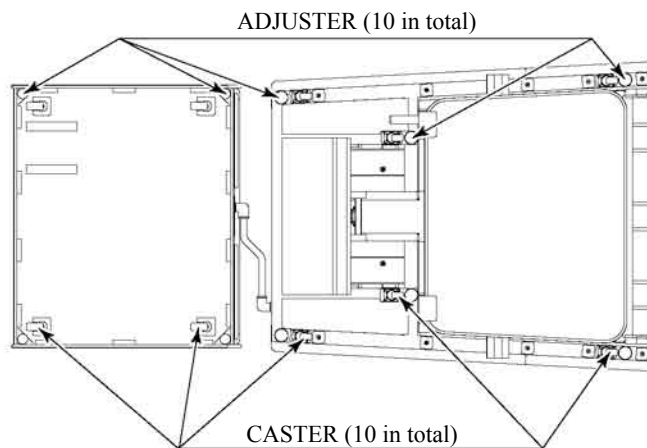
- ③ Reinsert these four hexagon-head bolts into their original holes.



Reinsert the hexagon-head bolt (2 each on both sides) into the original hole.

PHOTO 6. 3 b

- ④ Make sure all of the adjusters are in contact with the floor. By using a wrench, change height of the adjusters to ensure that the machine's position is level. There is a particular order to follow when landing the rear cabinet adjuster: the two areas on the side of the front cabinet, then the two to the back and finally the two at the center. Be careful not to lower the two center adjusters too much.



Order for landing the Rear Cabinet Adjuster

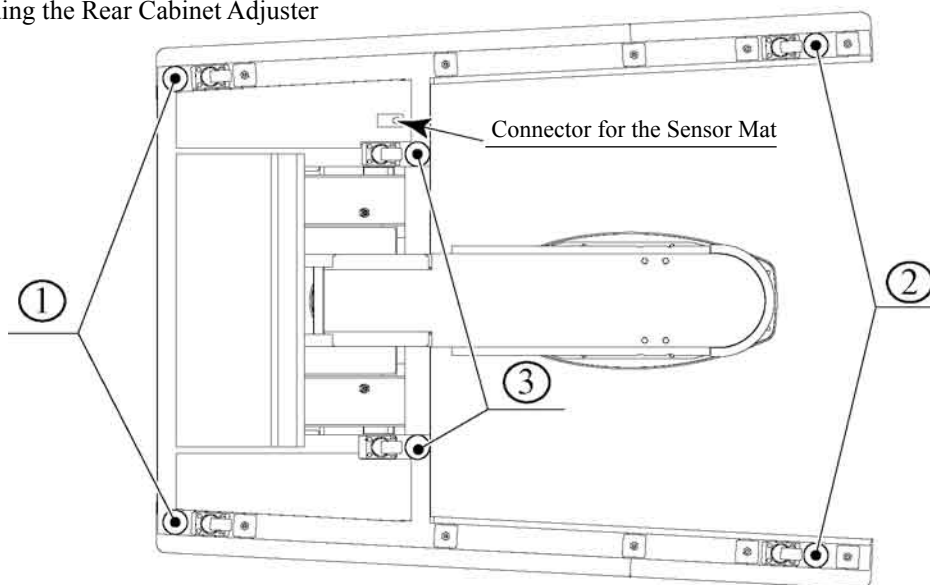


FIG. 6. 3 a

- ⑤ After making adjustments, fasten the adjuster nut upward and secure the height of the adjuster. (FIG. 6.3b)

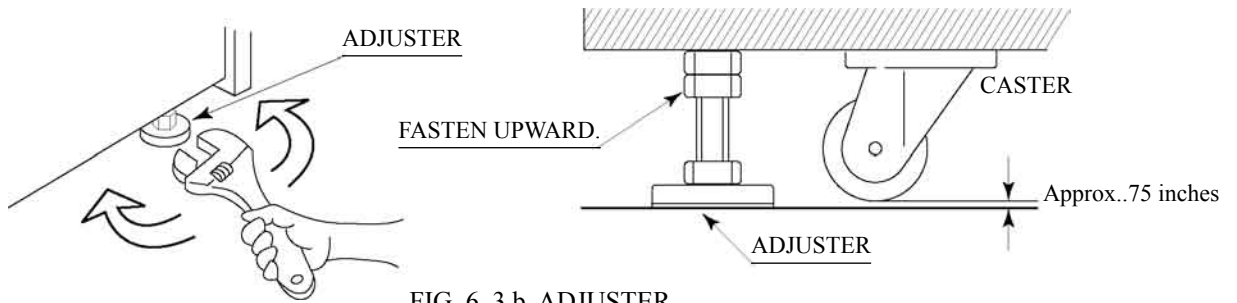


FIG. 6. 3 b ADJUSTER

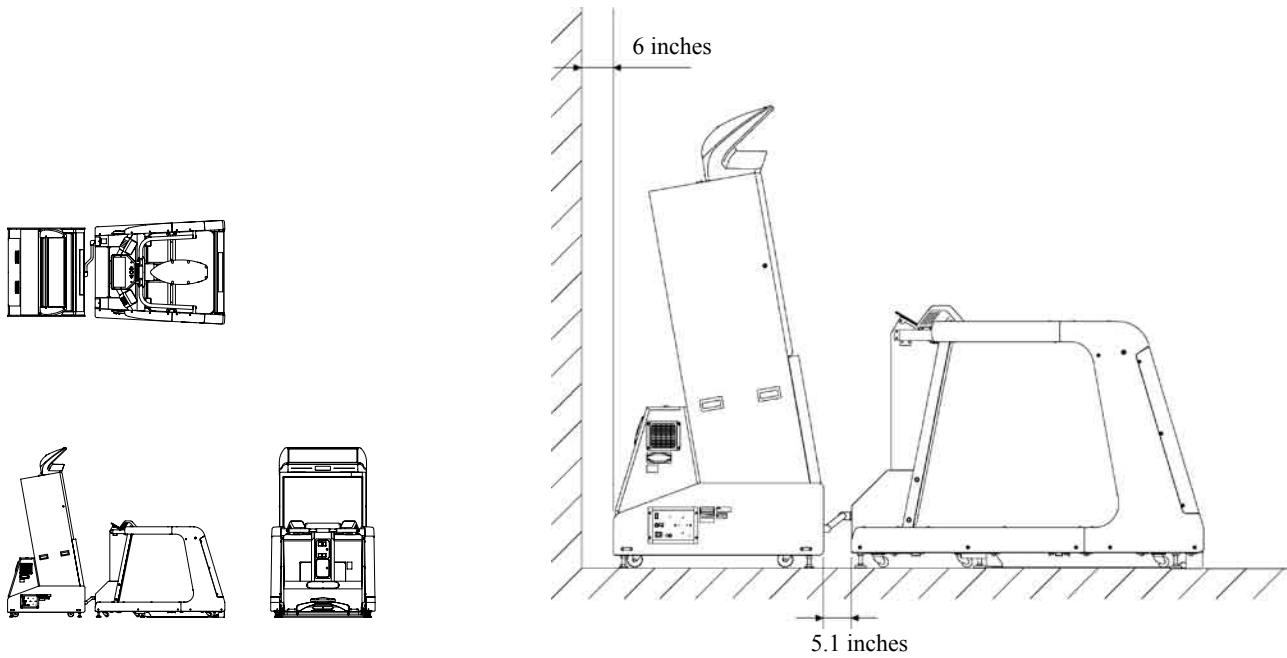


FIG. 6. 3 c
Refer to this Fig. (Scale:1/100) for the layout of the place of installation.

FIG. 6. 3 d
Be sure to provide space as shown between the Air Vent and the wall surface. Provide space approximately 13cm between the Front Cabinet and the Rear Cabinet.

- ⑥ Attach the two mat holder fronts to the Sensor Mat. There are two attachment studs for the mat holder fronts. Pass these two studs through the back of the assembly holes. Next, attach and secure the flat washers and hexagon nuts to the studs in that order. There are wires to the side of the Sensor Mat. Be careful not to pinch the wires when assembling the mat holder fronts. Pass these wires through the corner hole of the mat holder fronts.

SENSOR MAT



FRONT CABI side

PHOTO 6. 3 c

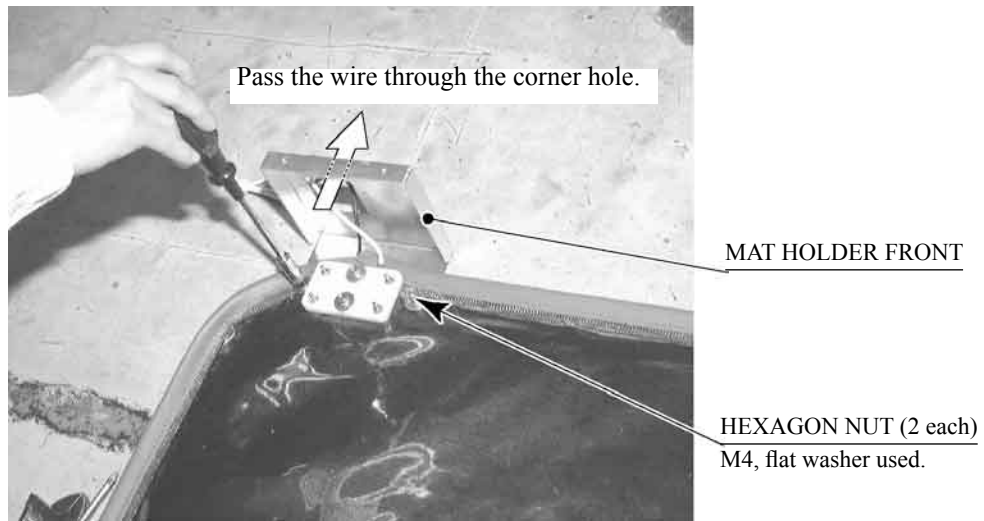


PHOTO 6. 3 d

- ⑦ Assemble the mat holder fronts in the same way on the side of the Sensor Mat without wires.



PHOTO 6. 3 e

- ⑧ Slide the Sensor Mat under the surfboard and spread it between both walls of the rear cabinet.



PHOTO 6. 3 f

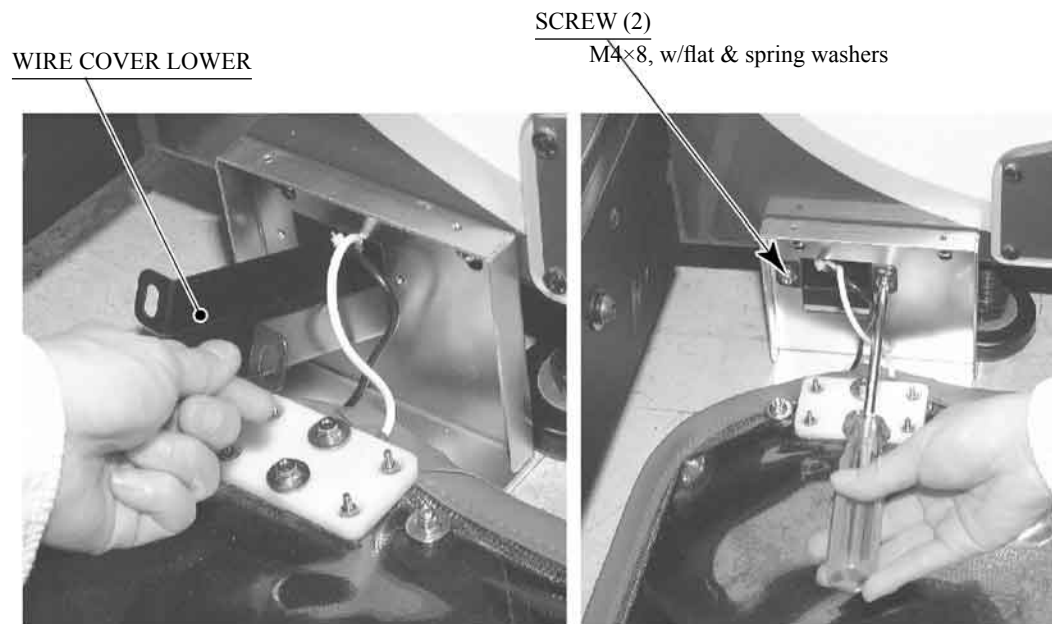
- ⑨ Attach the mat holder fronts to the rear cabinet. Secure it to each one with two screws. Be careful not to pinch the wires at this time.



SCREW (2 each) M5x8, w/flat & spring washers

PHOTO 6. 3 g

- ⑩ Connect the Sensor Mat wire connectors to the connectors to the undersurface of the rear cabinet. (FIG. 6. 3 a)
- ⑪ Attach the wire cover lower that protects the Sensor Mat wires. Pass the wire cover lower through the corner hole of the mat holder fronts and secure it with two screws. As before, be careful not to pinch the wires.



WIRE COVER LOWER

SCREW (2)
M4x8, w/flat & spring washers

PHOTO 6. 3 h

PHOTO 6. 3 i

- ⑫ Attach the mat wire cover to the mat holder fronts and secure it with two truss screws. Assemble a mat wire cover in the same way on the side of the Sensor Mat without wires.

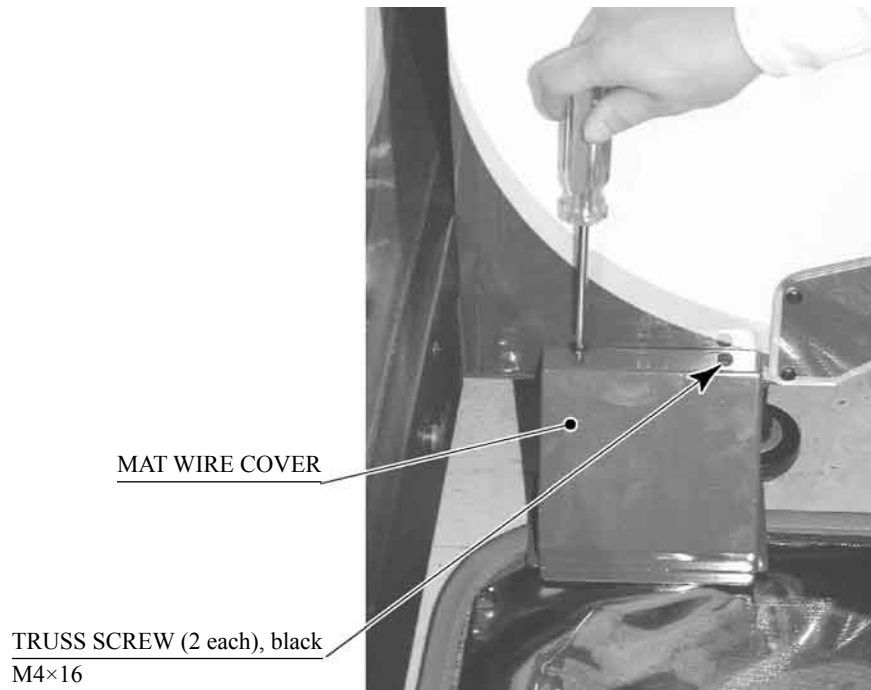


PHOTO 6. 3 j

- ⑬ Place the rear of the mat holder so that it overlaps the back edge of the Sensor Mat.

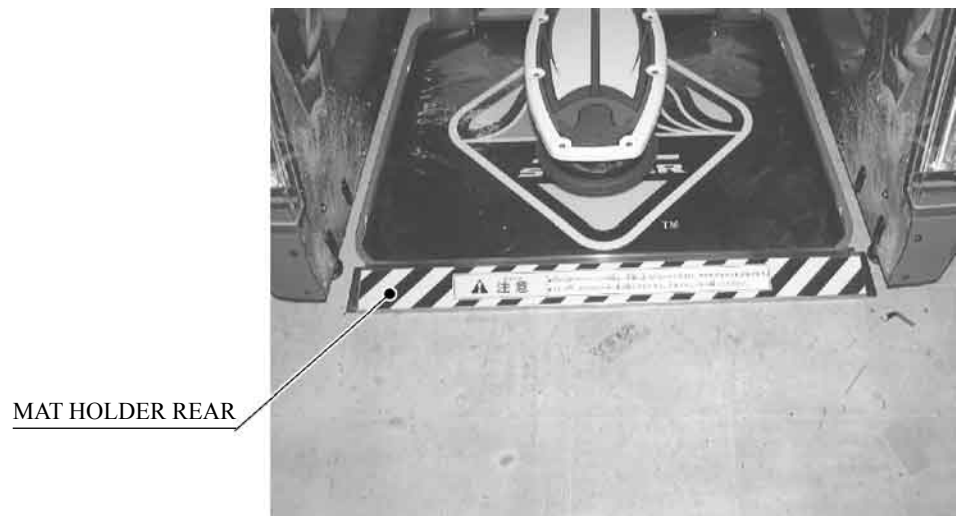


PHOTO 6. 3 k

- ⑭ Attach the Mat Bracket L and R to the left and right rear of the mat holder. Secure each with two hexagon-head bolts. Assembling the mat brackets cause the rear of the mat holder to restrain the Sensor Mat. The left and right mat brackets are different. Confirm their assembly locations and directions before assembling.

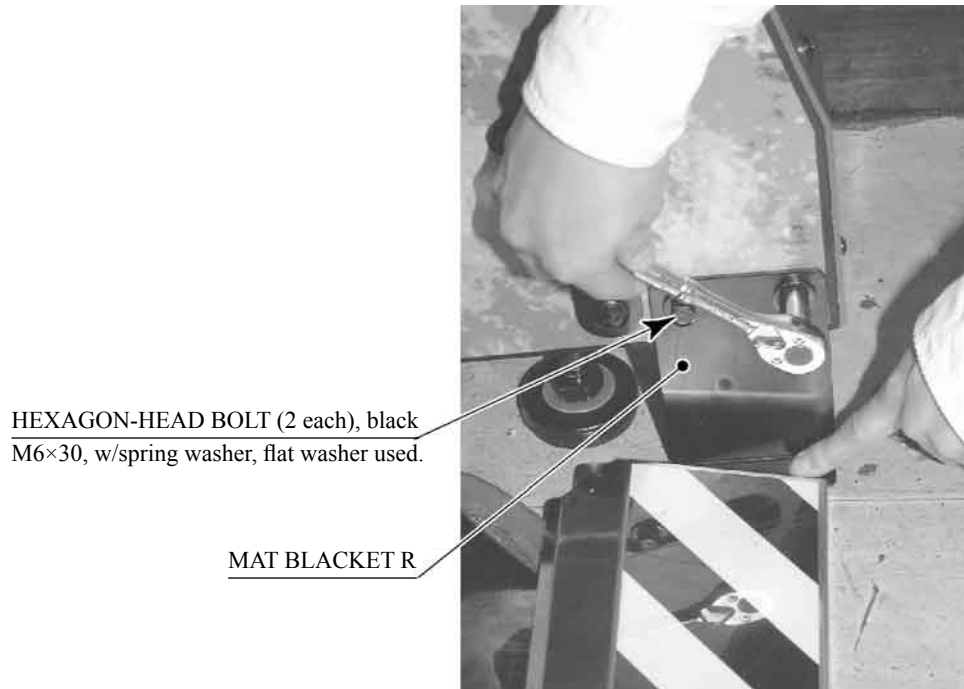


PHOTO 6. 3 1

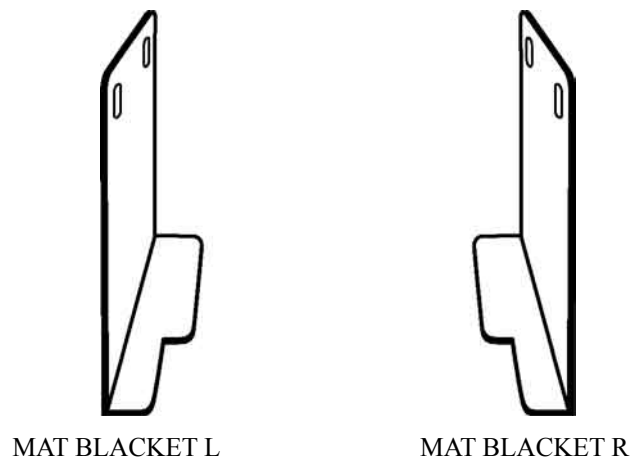


FIG. 6. 3 e



- Be sure to independently use the power supply socket outlet equipped with an Earth Leakage Breaker. Using a power supply without an Earth Leakage Breaker can cause a fire when electric leakage occurs.
- Ensure that the "accurately grounded indoor earth terminal" and the earth wire cable are available (except in the case where a power cord plug with earth is used). This product is equipped with the earth terminal. Connect the earth terminal and the indoor earth terminal with the prepared cable. If the grounding work is not performed appropriately, customers can be subjected to an electric shock, and the product's functioning may not be stable.
- Ensure that the power cord and earth wire are not exposed on the surface (passage, etc.). If exposed, they can be caught and are susceptible to damage. If damaged, the cord and wire can cause electric shock and short circuit accidents. Ensure that the wiring position is not in the customer's passage way or the wiring has protective covering.
- After wiring power cord on the floor, be sure to protect the power cord. Exposed power cord is susceptible to damage and causes an electric shock accident.

The AC Unit is mounted on the side of the machine. The AC Unit has Main SW, Circuit Protector and the Inlet which connects the Power Cord.

- ① Ensure that the Main SW is OFF.

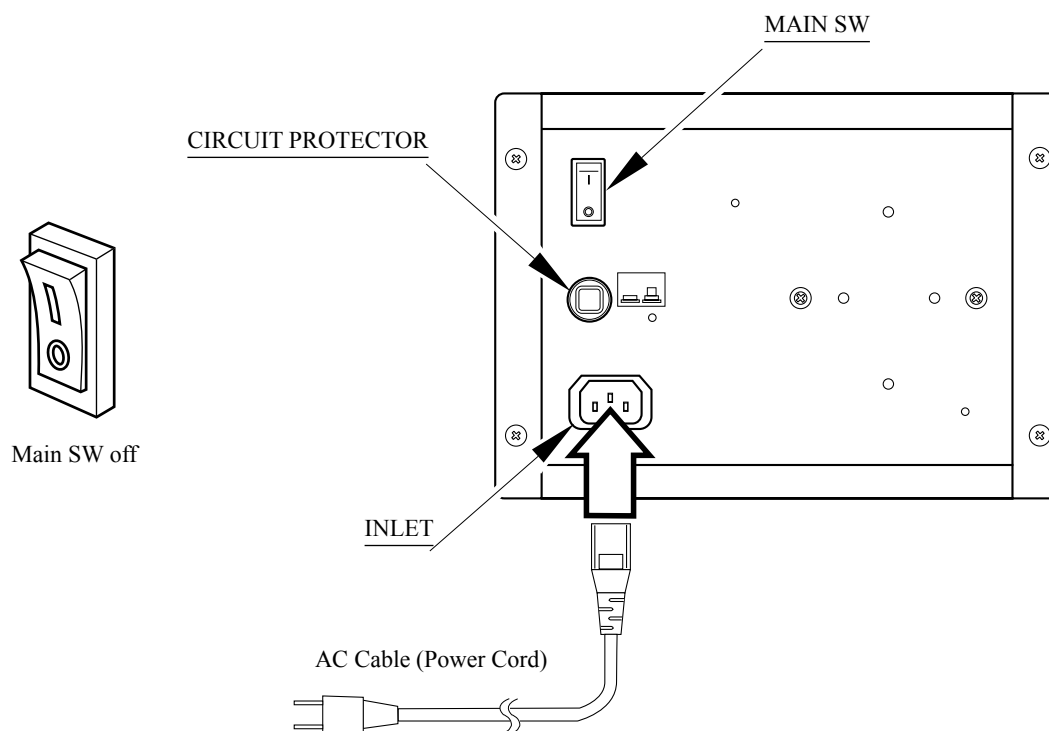


FIG. 6. 4 a AC unit

- ② *Note that the Earth Wire is incorporated in the Power Cord for the Areas of AC 120V (USA) and AC 220 ~ 240V, and therefore, this procedure is not necessary.

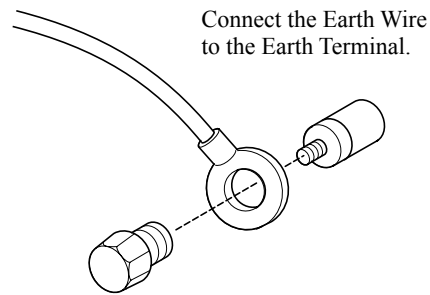


FIG. 6. 4 b *Earth Wire Connection <EXCEPT USA>

- ③ Firmly insert the power plug into the socket outlet.
Insert the opposite side of Power Cord plug to the AC Unit's connector ("INLET").
- ④ Perform wiring for the Power Cord and Earth Wire. Install protective covering for the Power Cord and Earth Wire.

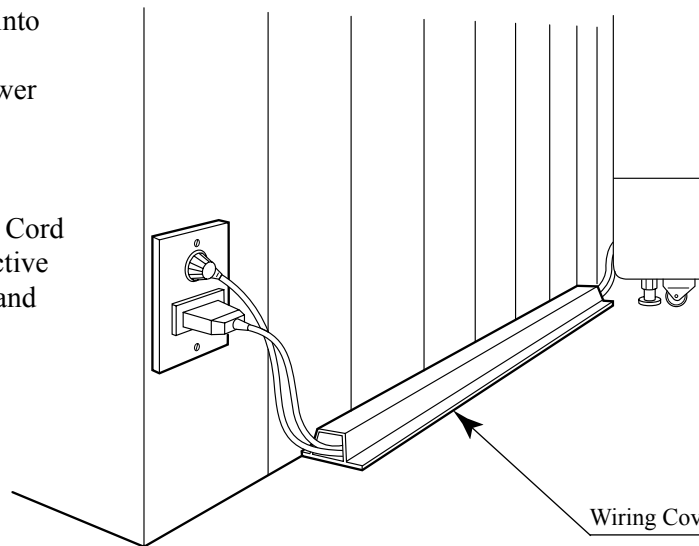
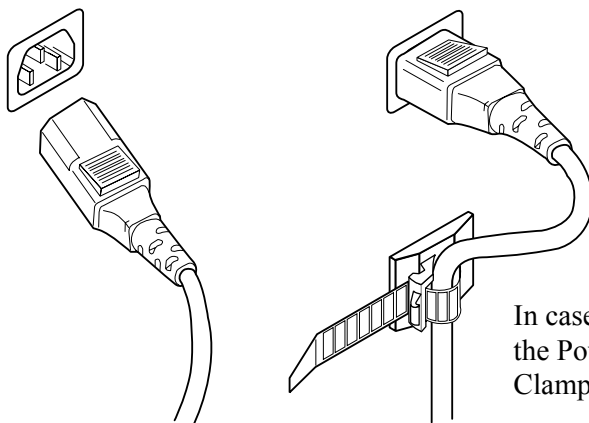


FIG. 6. 4 c Connecting Power Cord and Earth Wire <EXCEPT USA>



In case the Power Plug is apt to come out of place, secure the Power Cord to the periphery of the AC Unit with a Cord Clamp.

HOW TO USE THE CORD CLAMP

5

TURNING POWER ON

Turn on the AC unit main switch to power on the machine. Once it is powered on, the Billboard fluorescent lamp and the four Cold-Cathode Tubes to the left and right of the Rear Cabinet light up. After several seconds, the screen changes to the Advertise Screen, which is in the wait-for-guest mode (Advertise Mode). At the same time, the loudspeakers to the left and right of the Switch Panel and the super woofer located at the bottom of the PTV output voices. If No Voice Output has been set, no voices are output during the Advertise Mode.

Even after being powered off, this product retains data about the number of credits and ranking. It does not retain the Fractional Number of Coins (i.e., the number of coins put into the slot does not reach one credit) or Bonus Adder Count data. Thus, if you power on the machine after powering it off when the available number of credits for playing a game has remained, powering on machine causes the Start button to blink.

The Surfboard is unlocked when a game starts. Thus, it cannot be moved to the left or right unless a coin is put into the slot and the Start button is pressed.

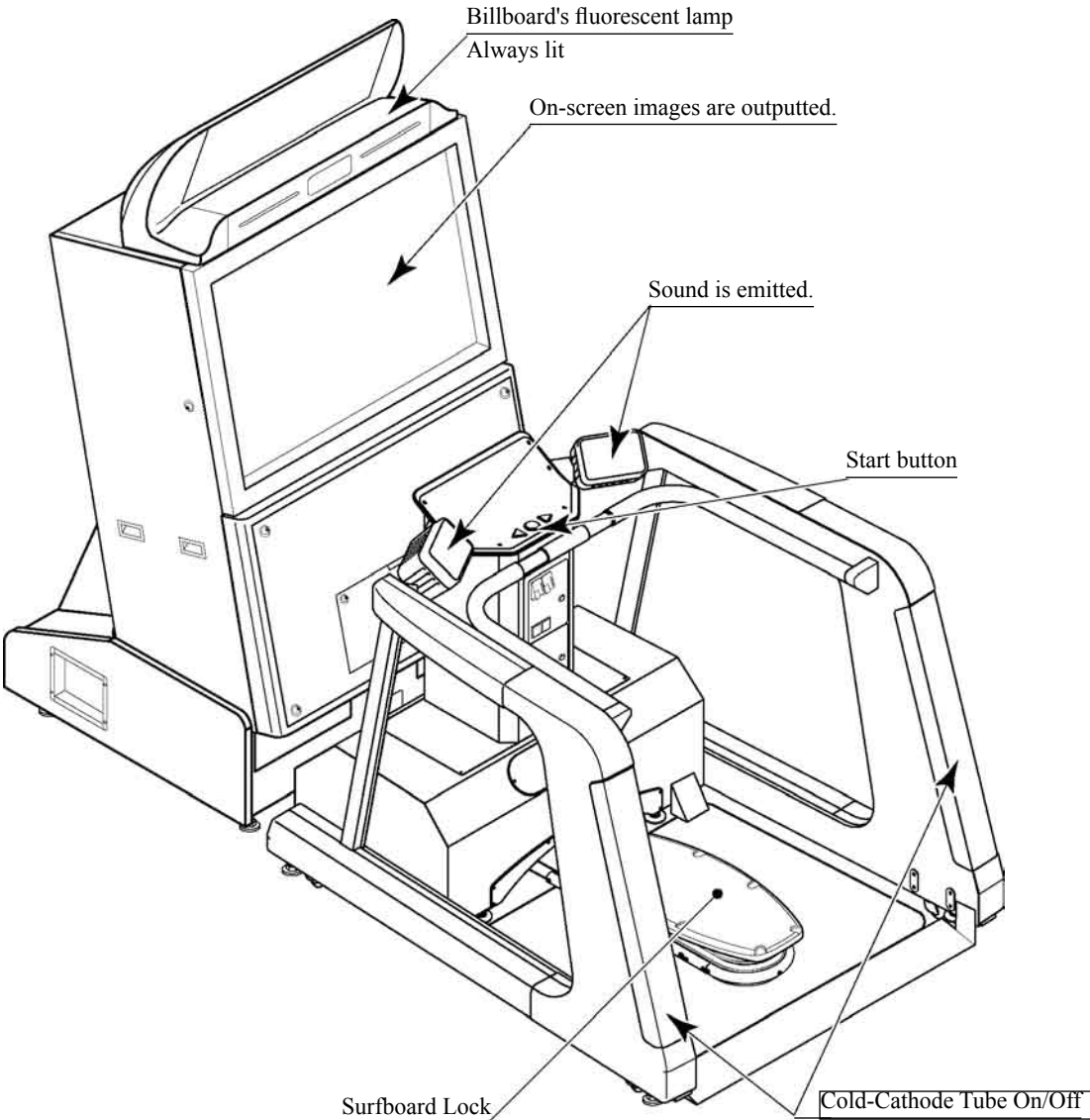


FIG. 6. 5

6

ASSEMBLING CHECK

In the TEST MODE, ascertain that the assembly has been made correctly and IC BD. is satisfactory (refer to Section 9).

In the test mode, perform the following test:

1 MEMORY TEST

Selecting the RAM TEST on the system test mode menu screen causes the on-board memory to be tested automatically. The game board is satisfactory if the display beside each IC No. shows GOOD.

RAM TEST

IC 29 GOOD
 IC 35 GOOD
 IC 09 GOOD IC 10 GOOD
 IC 11 GOOD IC 12 GOOD
 IC 16 GOOD IC 18 GOOD
 IC 20 GOOD IC 22 GOOD
 IC 17 GOOD IC 19 GOOD
 IC 21 GOOD IC 23 GOOD
 IC106 GOOD IC107 GOOD
 IC108 GOOD IC109 GOOD
 IC111 GOOD IC113 GOOD
 IC115 GOOD IC117 GOOD
 IC112 GOOD IC114 GOOD
 IC116 GOOD IC118 GOOD

PRESS TEST BUTTON TO EXIT

GAME ROM TEST
 [xxxxxxxxxxx]

NO.	TYPE	RESULT	BYTE	WORD
IC22	32M	---	xx	xx
IC1	64M	GOOD	xx	xx
IC2	64M	GOOD	xx	xx
IC3	64M	GOOD	xx	xx
IC4	64M	GOOD	xx	xx
IC5	64M	GOOD	xx	xx
IC6	64M	GOOD	xx	xx
IC7	64M	GOOD	xx	xx
IC8	64M	GOOD	xx	xx
IC9	64M	GOOD	xx	xx
IC10	64M	GOOD	xx	xx
:				
IC21	64M	GOOD	xx	xx

PRESS TEST BUTTON TO EXIT

2 C.R.T. TEST

In the system test mode menu, selecting C.R.T. TEST allows the screen (on which the monitor is tested) to be displayed. Although the monitor adjustments have been made at the time of shipment from the factory, color deviation, etc., may occur due to the effect caused by geomagnetism, the location building's steel frames and other game machines in the periphery. By watching the test mode screen, make judgment as to whether an adjustment is needed. If it is necessary, adjust the monitor by referring to Section 11.

C.R.T. TEST 1/2

1 32

RED
GREEN
BLUE
WHITE

PRESS TEST BUTTON TO CONTINUE

C.R.T. TEST 2/2

PRESS TEST BUTTON TO EXIT

3 SOUND TEST

```
SOUND TEST

RIGHT SPEAKER  OFF
LEFT SPEAKER   OFF
-> EXIT

SELECT WITH SERVICE BUTTON
AND
PRESS TEST BUTTON
```

In the system test mode, selecting SOUND TEST causes the screen (on which sound related BD and wiring connections are tested) to be displayed.

Check if the sound is satisfactorily emitted from each speaker and the sound volume is appropriate.

4 INPUT TEST

```
INPUT TEST

START          OFF
LEFT BUTTON    OFF
RIGHT BUTTON   OFF
BOARD SWING    82H
BOARD ROLL     83H
BOARD PITCH    9AH
SENSOR MAT     OFF
SERVICE       OFF
TEST          OFF

PRESS TEST AND SERVICE BUTTON TO EXIT
```

Selecting the INPUT TEST on the game test mode menu screen causes the screen (on which each switch is tested) to be displayed. Press each switch. If the display beside each switch indicates "ON," the switch and wiring connections are satisfactory.

5 OUTPUT TEST

```
OUTPUT TEST

START LAMP     OFF
BOARD LOCK     OFF
RIGHT UP LAMP  OFF
RIGHT DOWN LAMP OFF
LEFT UP LAMP   OFF
LEFT DOWN LAMP OFF
> EXIT

SELECT WITH SERVICE BUTTON
AND
PRESS TEST BUTTON
```

Select OUTPUT TEST from the Menu screen in the Game Test Mode to cause the screen (on which output unit such as lamps and wiring connections are tested) to appear. Ensure that the output unit functions satisfactorily.

Perform the above inspections also at the time of monthly inspection.

7. PRECAUTIONS TO BE HEDED WHEN MOVING THE MACHINE



- When moving the machine, be sure to unplug the power plug. Moving the machine with the plug as is inserted can damage the power cord and cause fire and electric shock hazards.
- When moving the machine on the floor, retract the Adjusters and ensure that Casters make contact with the floor. During transportation, pay careful attention so that Casters do not tread power cords and earth wires. Damaging the power cords can cause electric shock and short circuit hazards.
- When lifting the cabinet, be sure to hold the grip portions or bottom part. Lifting the cabinet by holding other portions can damage parts and installation portions due to the empty weight of the cabinet, and cause personal injury.
- When transporting the product in places with step-like differences in grade, disassemble into each unit before transporting. Lifting up the product in an attempt to cross the step-like differences in an as is assembled condition may damage the unit's joining portions and cause a personal injury resulting from damage.
- When moving the PTV, do not push it from the rear side. Push it from sideways. Pushing the PTV from the rear side can have the PTV fall down, causing personal injury etc. In case the floor has slanted surfaces or step-like differences, be sure to move the machine by 2 or more persons.
- Do not insert the fork to places other than designated when using a Forklift to transport the machine.
Failure to observe this could cause falling down and injury resulting from falling down.
- Be careful not to damage the Sensor Mat or the Sensor Mat wires when moving the machine. The Sensor Mat plays an important role in preventing accidents. Operating the machine with a damaged Sensor Mat may cause an accident.



- Be sure to remove the Sensor Mat and the Mat Holder Rear. Moving the machine with these may result in damage of the parts.
- Do not push the plastic made parts. Failure to observe this may damage parts and cause injury due to fragments resulting from damage.
- Be careful to store the shipping beam as it is used when moving the rear cabinet with a forklift. Failure to assemble the shipping beam when using a forklift may result in damage or deformation of the parts.



- When transporting the product in places with steps, disassemble into each unit before transporting. Inclining the product in an as is assembled condition or placing the cabinet in places with steps can damage the unit's joining portions.
- To protect surface, do not directly apply a rope to the surfaces of product. Use protective materials to the places the rope is applied to.

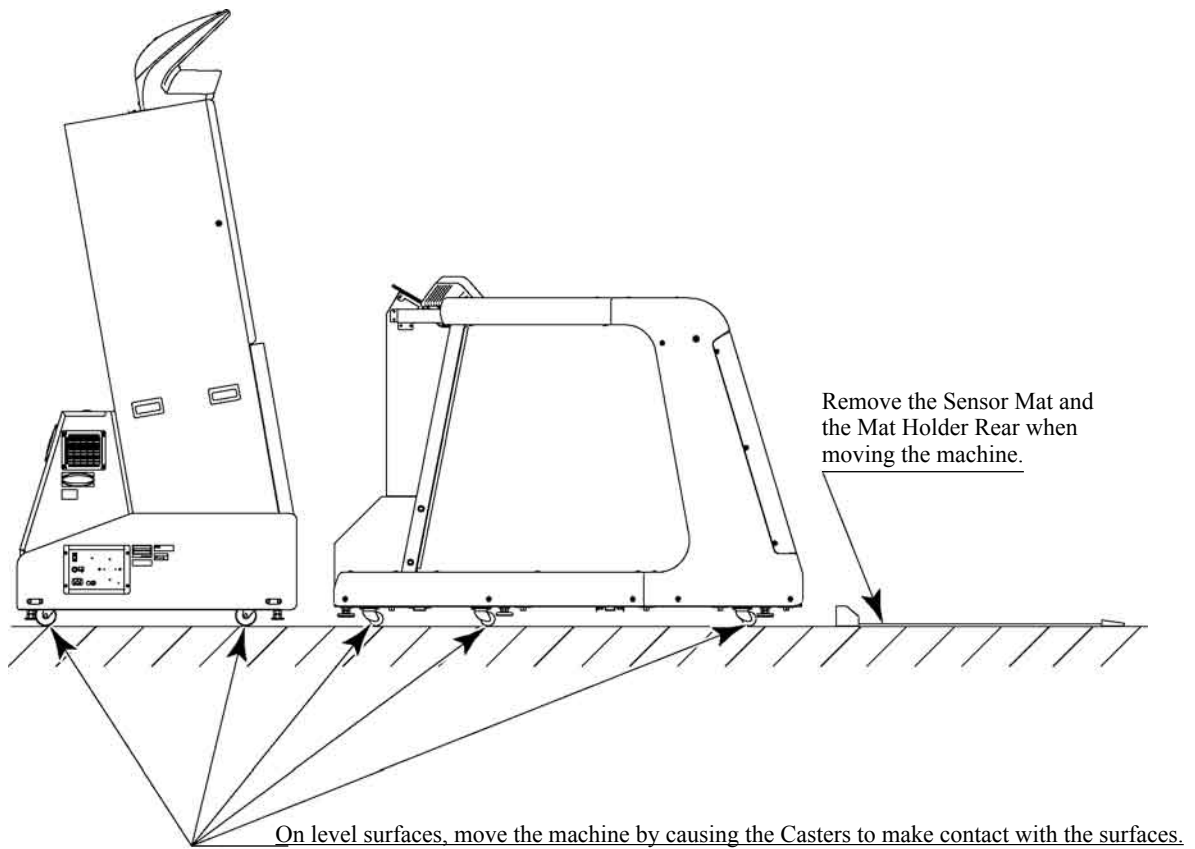
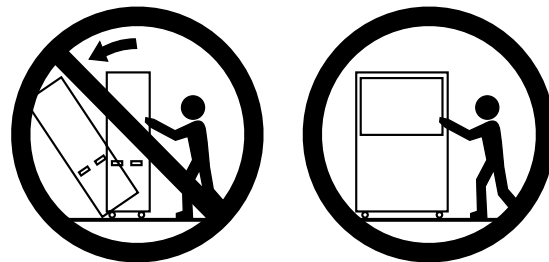


FIG. 7 a



Do not push PTV from the back. Pushing the PTV from the back can cause the PTV to fall down. Push it from the side.

When transporting the product in places with steps or step-like differences in grade, disassemble into each unit before transporting.

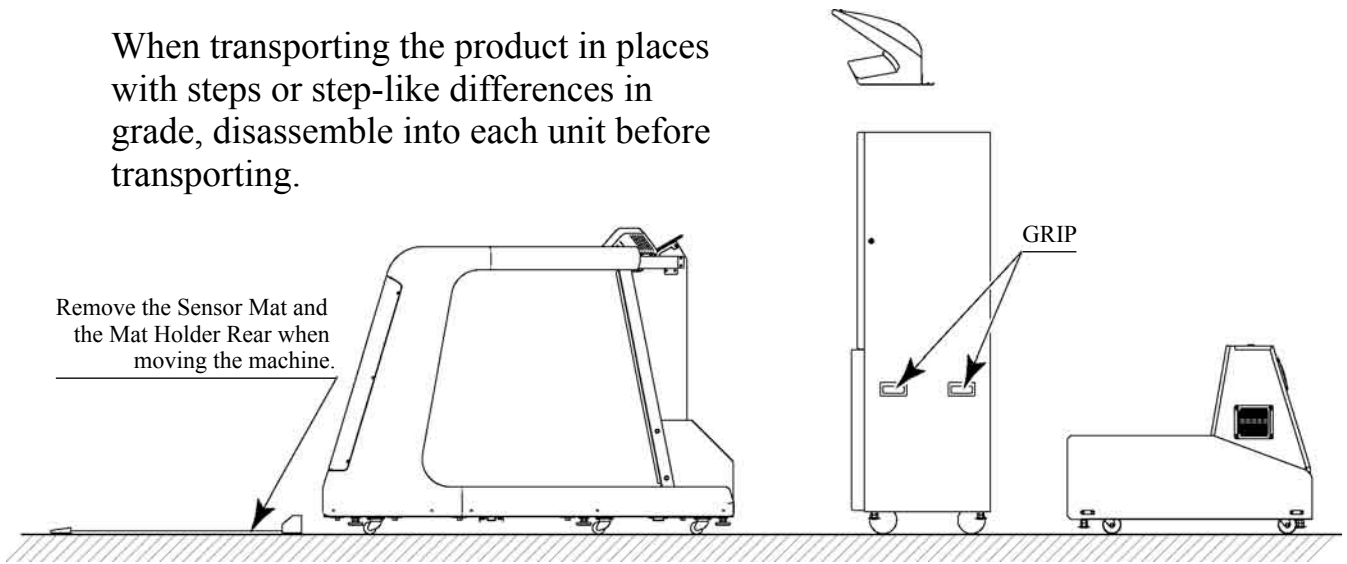
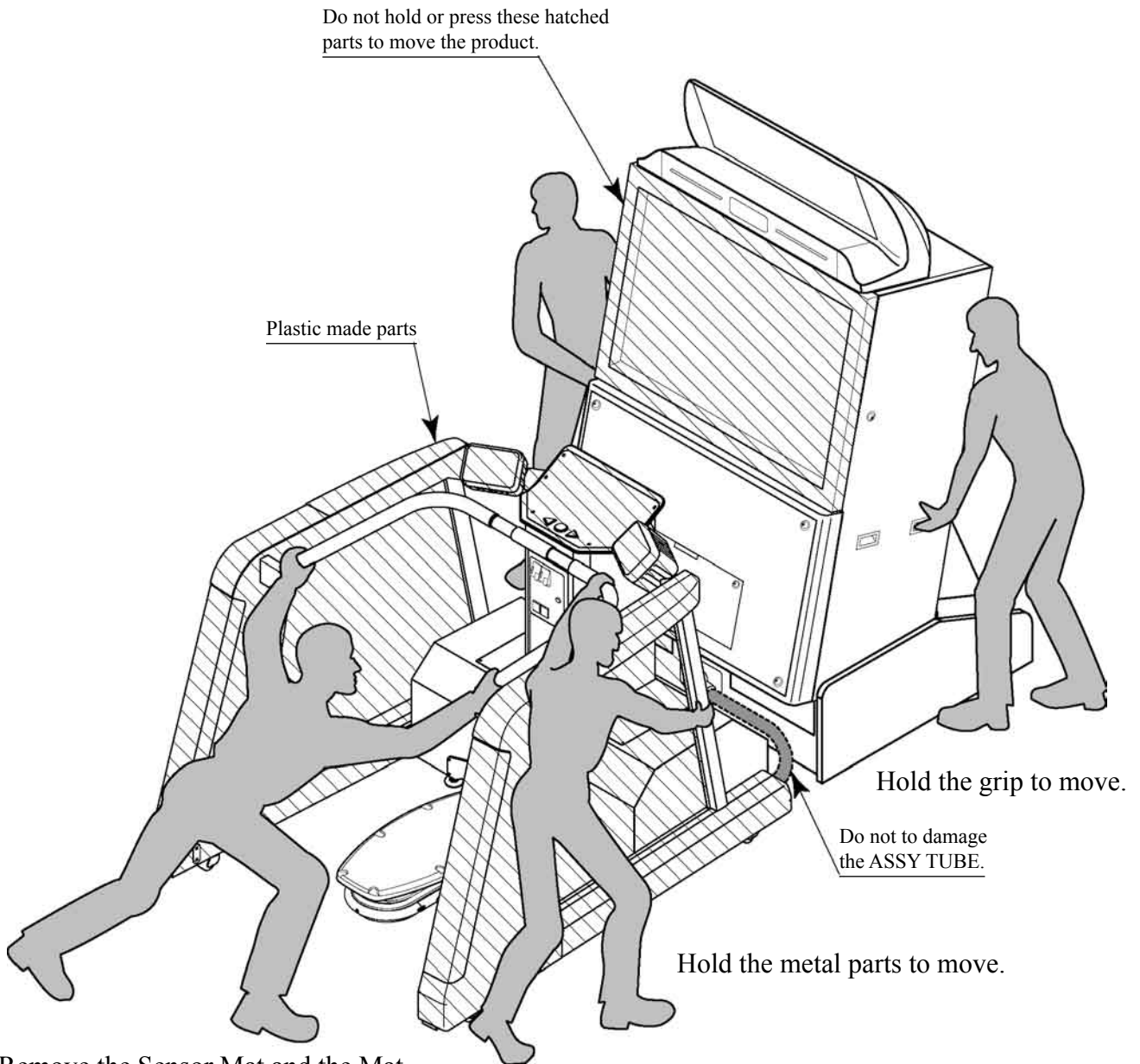


FIG. 7 b



Remove the Sensor Mat and the Mat Holder Rear from the Rear Cabinet before moving the machine.

FIG. 7 c

8. GAME CONTENTS

The following explanations apply to the case the product is functioning satisfactorily. Should there be any moves different from the following contents, some sort of faults may have occurred. Immediately look into the cause of the fault and eliminate the cause thereof to ensure satisfactory operation.

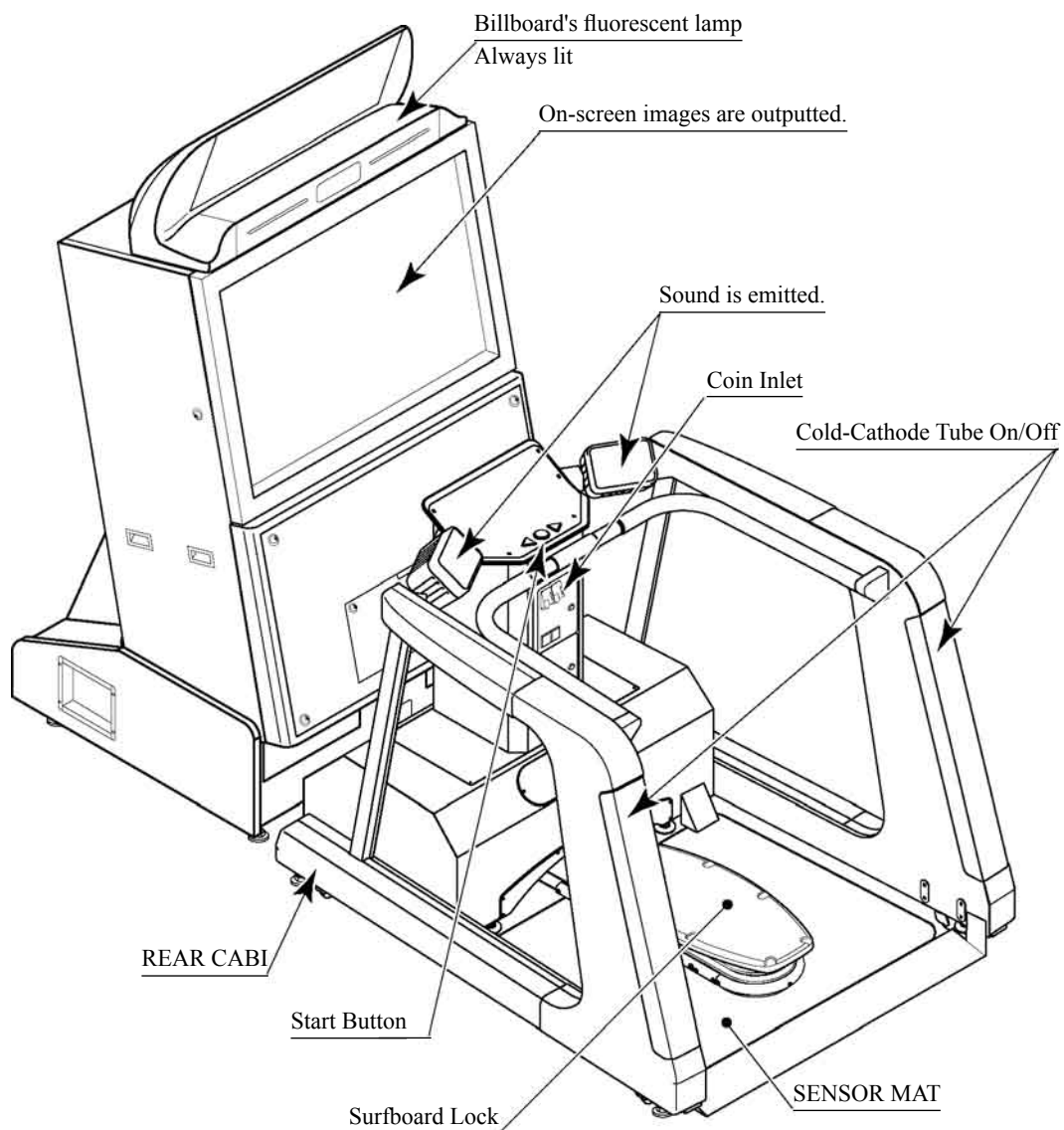
The fluorescent billboard lamp will always remain lighted while the game is on.
The PTV screen will display demo screens and rankings while the machine is in advertising mode (waiting for customers), and the speakers to the left and right of the control panel as well as the super woofer below the PTV will output sound. The surfboard will remain in a fixed state and cannot be moved left or right. The four rear cabinet cold-cathode tubes will continue to remain lighted. It can be set in the Game Test Mode whether the sound is emitted or not during the advertising mode.

When enough coins have been inserted for play, the Start Button at the center of the control panel will flash. Press the Start Button to begin the game.

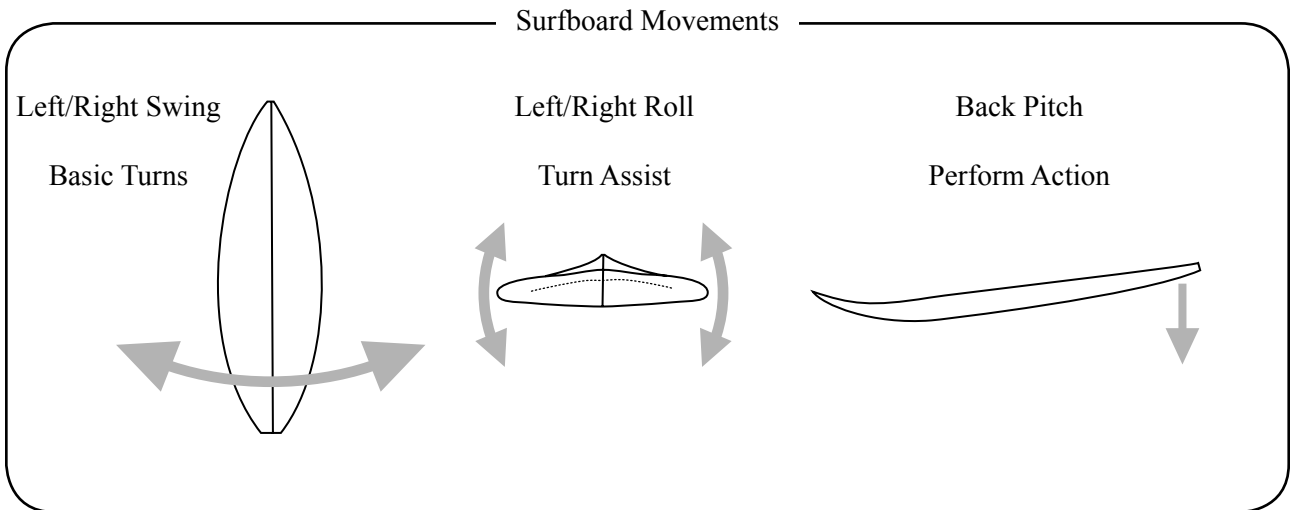
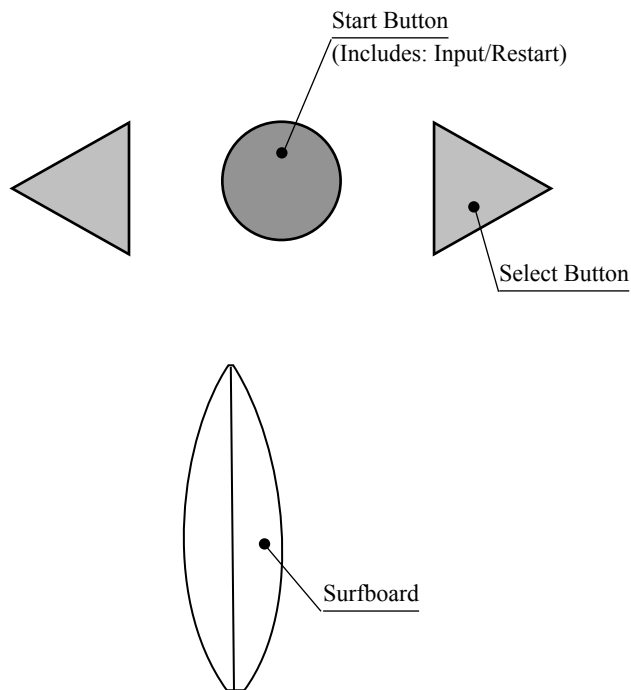
The surfboard will unlock when the character and course choices have been input. The unlock warning display will appear on the screen at that time.

The four cold-cathode tubes will flash entertainingly when a player executes tricks (techniques).

If any object or person occupies the floor mat during a game, the surfboard will lock and cannot be moved left or right; the warning display will appear on the screen as well.



Controls



Players swing the board left and right to turn.

Turning power changes according to the amount of swing. By leaning into a roll during a turn, players can make sharper turns. In addition, players can refine their turns with the by controlling the amount of roll.

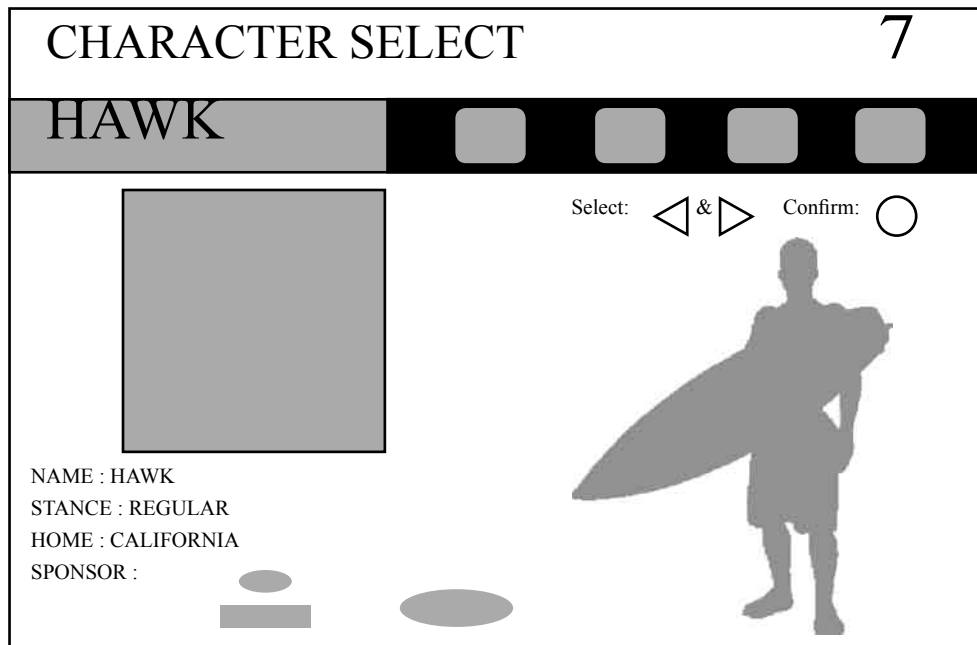
(Left Swing + Right Roll = Right Turn, Right Swing + Left Roll = Left Turn)

Players can execute a variety of techniques by stomping on the back of the board in accordance with the player's position in relation to a wave and by pairing it with left and right swing. (Please refer to the detailed explanation later in this text.)

Press the Start Button while gliding to quit riding (surfing) and restart.

Selecting a Surfer and a Course

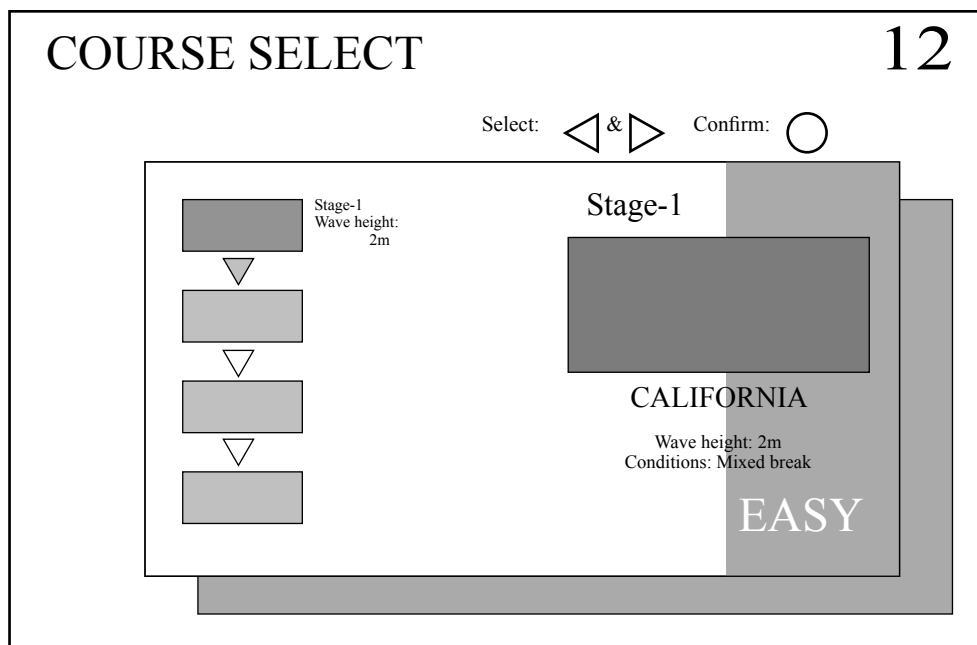
After inserting enough coins for one player, press the Start Button to start the game.



Choose one of the four surfers. FOX is the only goofy-footed (left-handed) character. Move the cursor with the Select Button to select the character, and press the Start Button to input the choice.

The number displayed to the upper right is the time limit for selection.

Each surfer basically has the same abilities, but they have been provided with their own signature air trick techniques.



Choose one of the two courses, EASY or HARD.

Move the cursor with the Select Button to select the character, and press the Start Button to input the choice.

The number displayed to the upper right is the time limit for selection.

Courses

There are two courses (and some additional material). Each course is composed of four stages. Players can play a bonus stage (Staff Roll) after clearing the final stage of the HARD course only.

Easy Course

"California"

The shape of the waves hardly changes at all, making this an appropriate introductory stage for practicing turn tricks and air tricks. Multiple tubes (wave tunnels) will appear in the second half if the player avoids wiping out (rolling over).

"Polynesia"

Tubes will envelop the player immediately after the start of this stage. This stage is appropriate for "Tube Riding", a synonym for surfing. It requires some amount of swinging because there are some contorted parts in this stage.

"Japan"

Players will need to accurately predict the waves, because their size and shape change drastically. Tubes come and go as well. Additionally, the gliding surface of the waves is short, so players must perform a U-turn and a turn trick if they have surfed until almost leveling out.

"Hawaii"

King-sized waves assault players in this stage. Players have to stick to the gliding surface and continue entering the tube or they will be tossed to the outside of the tube from a serpentine.

Hard Course

"Australia"

Tubes break one after another as if to swallow the player. However, tubes that allow trick to be performed easily are simple to enter, so the level of difficulty for this stage is not very high.

"South Africa"

Players can only surf in the regular direction (to the right) and wrecked ships block the player's path. Players can continue to surf until time runs out if they do not wipe out. Accumulating combos is the secret to clearing this stage.

"Europe"

Players can only surf in the goofy direction (to the left). The waves are considerably small, so players must carefully descend the entire wave in order to pull off high-level tricks. Extremely small tubes appear in this stage as well.

"Hawaii"

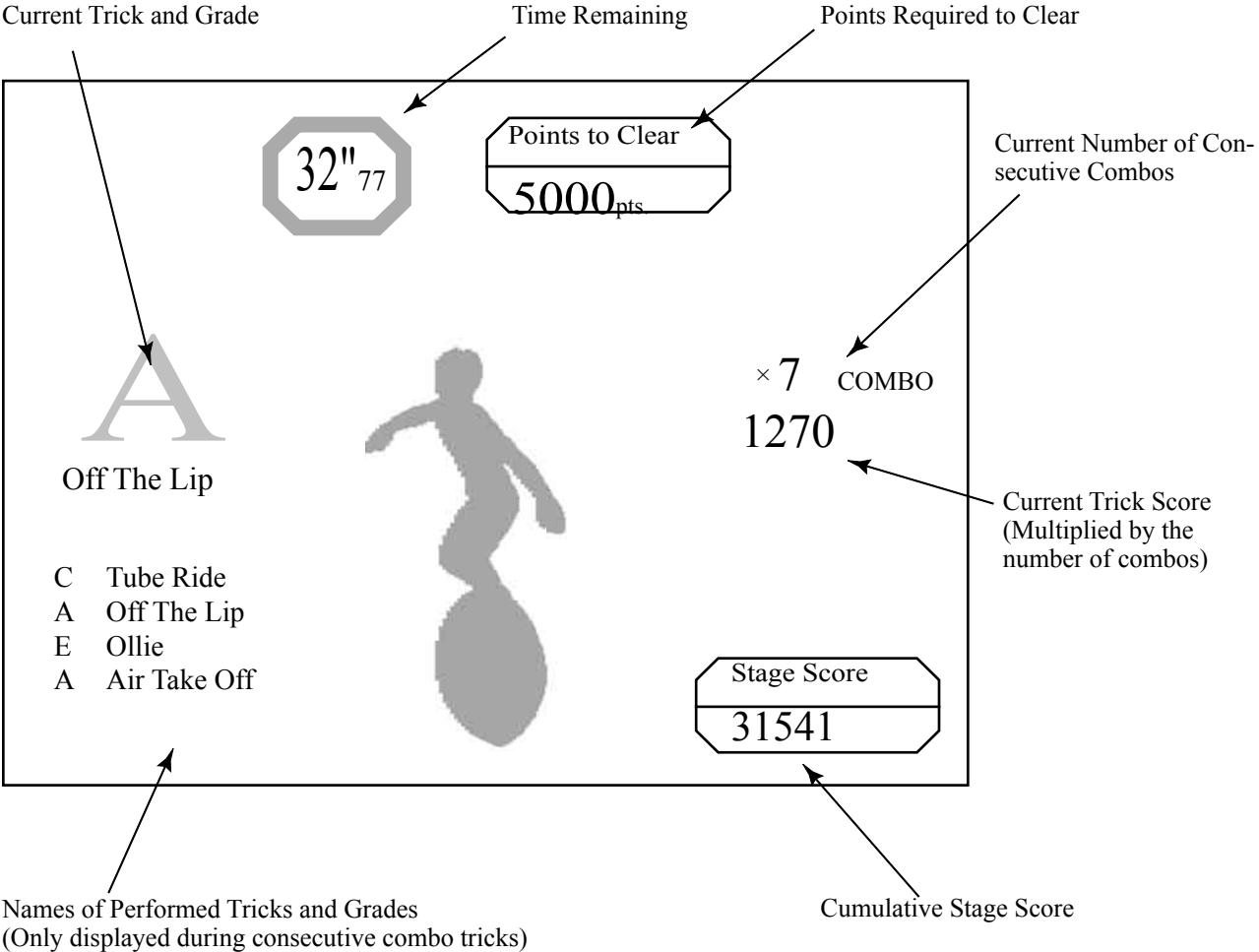
Only king-sized tubes appear in this stage. The tube interiors are severely contorted and there are more obstacles.

Players must adjust their speed minutely and accurately judge surfing conditions in this stage.

"Secret"

Some of the most gigantic waves appear during the game. Points for tricks executed during the staff roll are calculated just as in the game itself.

Game Screen



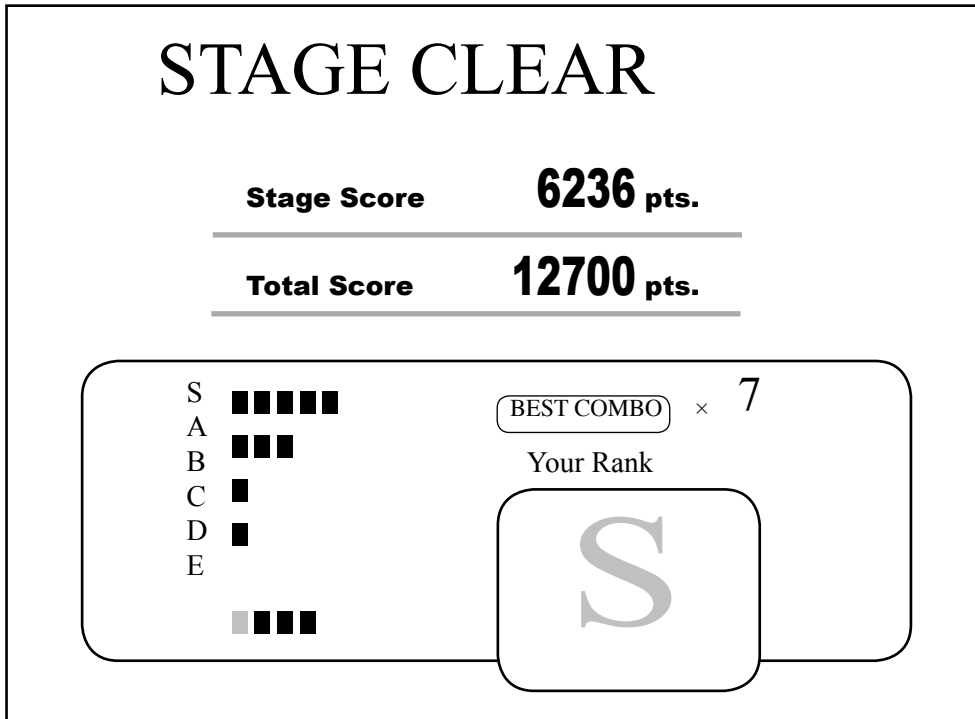
Game Over Conditions

The goal is to obtain the required number of points before time runs out. The game will end if a player has not obtained the required number of points when Time Remaining drops to zero. A player has obtained the required number of points will move onto the next stage.

About the Combo System

The combo count increases by one for each technique executed. However, some techniques are exceptions. Combo points are multiplied by the number of combinations performed as they pile up, so players can earn more points and clear the stage more easily. However, the number of combos accumulated returns to zero if players stagger or fall from making contact with obstacles or wave walls.

Stage Result Screen



A screen displaying a player evaluation for the stage will appear after each stage has been completed.

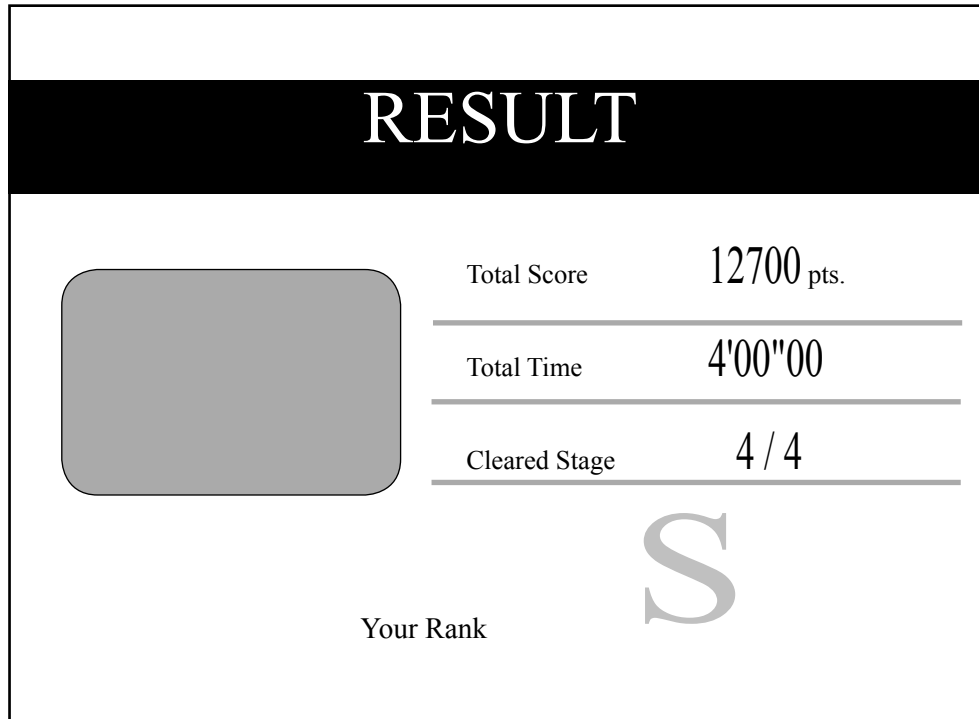
The ranking is based on:

- The frequency of high grades and
- the number of Best Combos.


The higher the value of both scores, the higher the rank displayed in the "YOUR RANK" column.

The six grade levels are E, D, C, B, A, and S, with S as the highest rank.

Total Result Screen



The graphic shows a 'Total Result Screen' with a black header containing the word 'RESULT' in white. Below the header, on the left, is a grey rounded rectangle representing a player's profile picture. To the right of this rectangle, three statistics are listed, each separated from the next by a horizontal line: 'Total Score 12700 pts.', 'Total Time 4'00"00', and 'Cleared Stage 4 / 4'. Below these statistics, the text 'Your Rank' is displayed next to a large, light grey letter 'S'.

RESULT	
	Total Score 12700 pts.
	Total Time 4'00"00
	Cleared Stage 4 / 4
Your Rank	S

A screen displaying a total player evaluation for game play will appear after the game has been ended.

The average rank of plays completed at that point will be displayed as "YOUR RANK". The six grade levels are E, D, C, B, A, and S, with S as the highest rank.

Name Entry

A display for entering three initials will be displayed at the following times:

- ① When all of stages of a course have been cleared.
- ② When a player has placed in the high scores of the game machine (up to the top 44 names)
- ③ When a player has beaten the high score of any of the four stages (or additional material) of each course

Players select letters to enter by scrolling through the character columns with the Select Button and enter one letter at a time with the Start Button. Confirm the three letters by lining up the cursor with END and pressing the Start Button.

In the case of ①, the rank order will be displayed after a name has been entered.

Continue

Players whose time runs out in the middle of a stage in any course will be asked if they would like to continue; the countdown will be displayed as well. During the countdown, players can restart from the stage in which time ran out by inserting coins and pressing the Start Button. However, the number of points required to clear the stage will return to zero in such cases. Those players who do not wish to continue can accelerate the countdown by pressing the Select Button during the countdown. Please note that the continue setting can be disabled through selections made in Test Mode (see 9-3D).

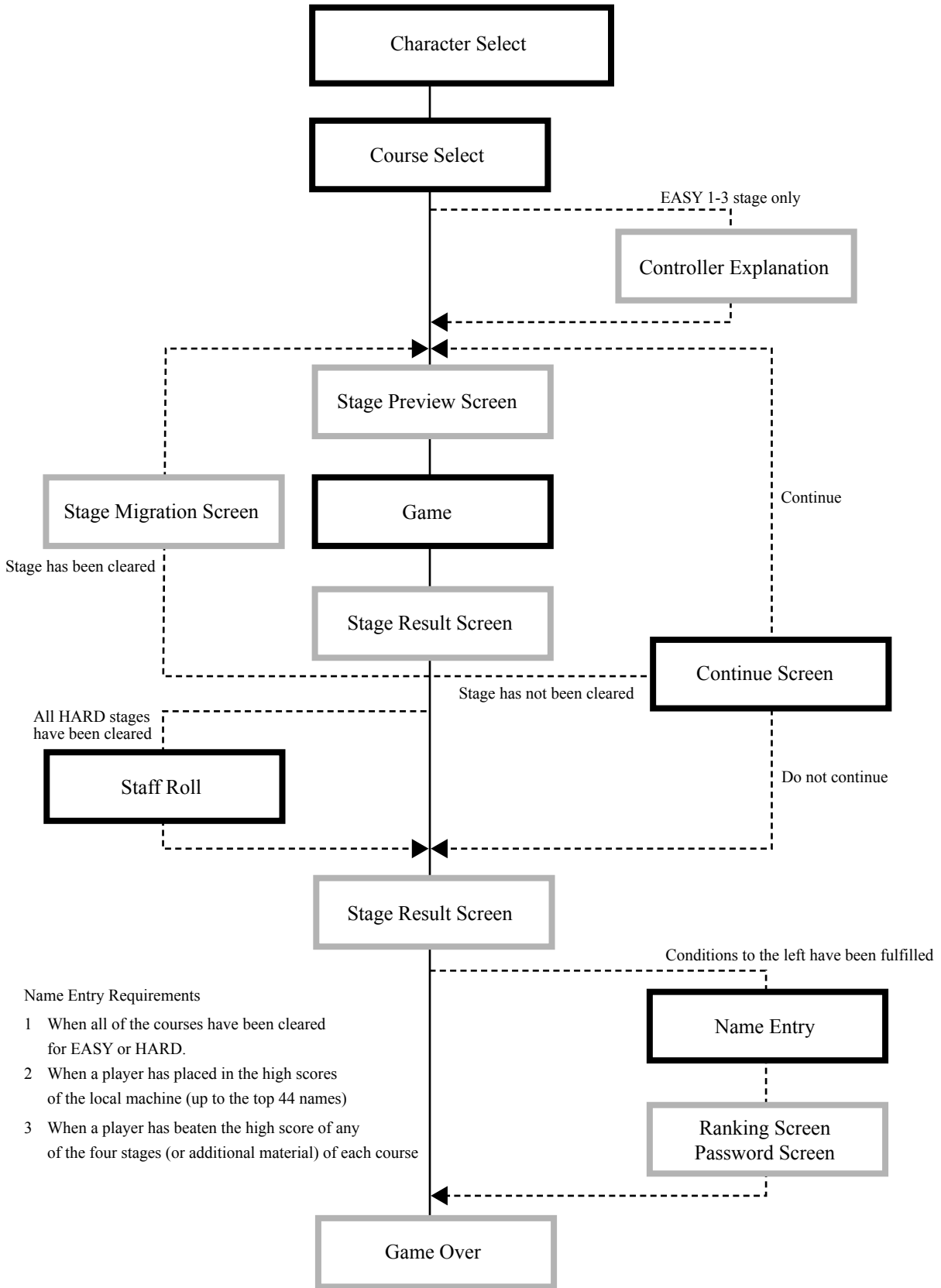
Password

If a player has fulfilled the name entry requirements above, a password will be displayed at the bottom of the ranking screen after the player's name has been entered. The player can register the score in the world ranking by transmitting the password to the exclusive home page for this game. This screen will be displayed for twenty seconds or more, but can be skipped by pressing the Start Button. The exclusive home page is to open at the end of June. However, the continued operation and management of the site after the second year following the launch of the game has not yet been confirmed.

<http://www.s-surfer.com>

Please note that the password setting can be disabled through selections made in Test Mode (see 9-3D).

Game Flow



- Name Entry Requirements
- 1 When all of the courses have been cleared for EASY or HARD.
 - 2 When a player has placed in the high scores of the local machine (up to the top 44 names)
 - 3 When a player has beaten the high score of any of the four stages (or additional material) of each course

*Steps listed in gray in the above diagram can be skipped with the Start Button.

Executing Tricks

Takeoff

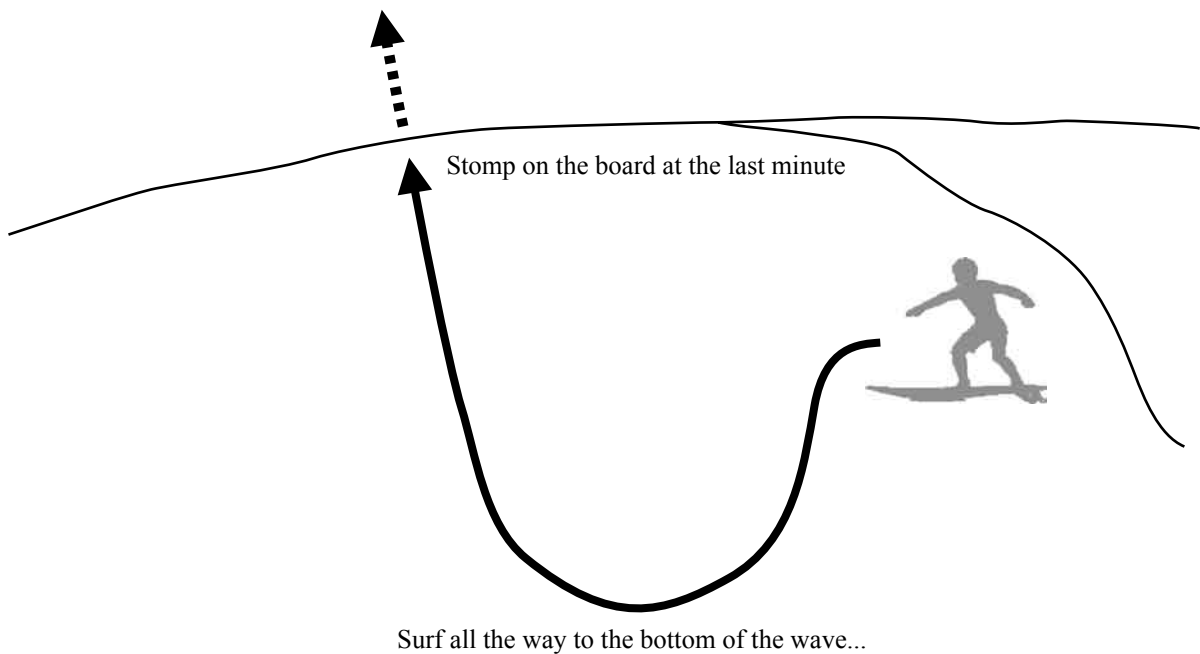
Players can delay the timing of their takeoffs by stomping on the back of the board while the character is paddling (paddling to advance the surfboard). Points are awarded even if takeoff is delayed only a little, but the player will wipeout by delaying takeoff too much.

Executable Tricks

- Late Takeoff (slightly delayed takeoff) (E Grade)
- Air Takeoff (takeoff just before wiping out) (A Grade)

Air Tricks

Players can execute air tricks by surfing out the flat part of the wave, then climbing the face of the wave, jumping off at the last minute and stomping hard on the back of the board. The steeper the incline of the wave face when the back of the board is stomped, the higher the grade of the trick performed. Points are awarded for a longer time the higher the player jumps. In addition, different tricks can be performed depending on whether the player is surfing the wave on the left or the right. However, the trick grade and points remain the same regardless of whether the player is on the left or right. The characters' signature tricks can only be performed as air tricks.



Executable Tricks (HAWK)

Surfing to the right of the wave:

- “Kickflip” (D Grade)
- “Ollie Method” (C Grade)
- “Mute Tailpoke” (B Grade)
- “Varial Heelflip Indy Grab” (A Grade)
- “Ollie McTwist” (S Grade)

Surfing to the left of the wave:

- “Varial” (D Grade)
- “Ollie Indy Nosebone” (C Grade)
- “Tweak” (B Grade)
- “Heelflip Indy Grab” (A Grade)
- “McTwist” (S Grade)

Executable Tricks (VIPER)

Surfing to the right of the wave:

- “Frontside Air” (D Grade)
- “Indy” (C Grade)
- “Lien” (B Grade)
- “Rodeo Flip” (A Grade)
- “Back Flip” (S Grade)

Surfing to the left of the wave:

- “Backside Air” (D Grade)
- “Melonchollie” (C Grade)
- “Japan Air” (B Grade)
- “Alley Rodeo Flip” (A Grade)
- “Front Flip” (S Grade)

Executable Tricks (FOX)

Surfing to the right of the wave:

- “Double Grab” (D Grade)
- “Iguana” (C Grade)
- “Method” (B Grade)
- “Upperdeck” (A Grade)
- “Wet Cat” (S Grade)

Surfing to the left of the wave:

- “Alley Oop” (D Grade)
- “Mute” (C Grade)
- “Stalefish” (B Grade)
- “Clippler” (A Grade)
- “Corkscrew” (S Grade)

Executable Tricks (DAISY)

Surfing to the right of the wave:

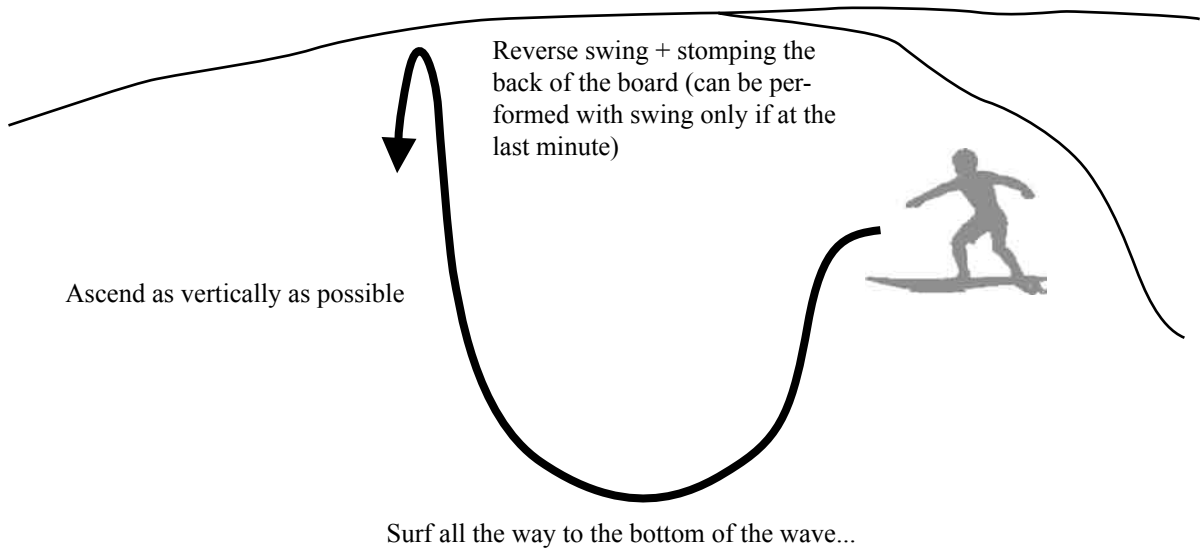
- “Alley Oop” (D Grade)
- “Mute” (C Grade)
- “Stalefish” (B Grade)
- “Clippler” (A Grade)
- “Corkscrew” (S Grade)

Surfing to the left of the wave:

- “Double Grab” (D Grade)
- “Iguana” (C Grade)
- “Method” (B Grade)
- “Upperdeck” (A Grade)
- “Wet Cat” (S Grade)

Turn Tricks

Players can execute turn tricks by surfing out the flat part of the wave, then climbing the face of the wave, jumping off at the last minute and stomping hard on the back of the board while swinging to reverse direction. The trick can be performed by swinging without stomping on the back of the board only if the player enters the move at the very top of the wave. The more vertically the player ascends the incline when entering the move, the higher the trick grade. In addition, a much higher grade of trick can be performed if the player inputs the move at the white breaking crest of the wave.



Executable Tricks

- ① Entering the move when the crest of the wave has not changed color:
 - (Slash Back) (C Grade)
 - (Layback Slash) (B Grade)
 - (Off The Top) (B Grade)
 - (Vertical Off The Top) (A Grade)

- ② Entering the move when the crest of the wave has become white:
 - (Slash) (C Grade)
 - (Layback Slash) (B Grade)
 - (Off The Lip) (A Grade)
 - (Vertical Off The Lip) (S Grade)

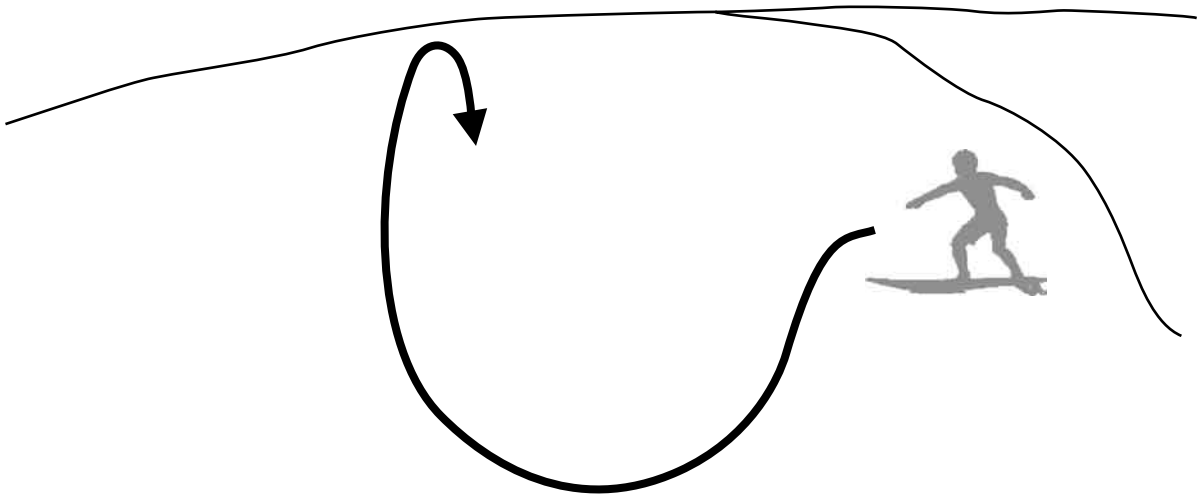
The same tricks can be performed whether the player is surfing to the left or right of the wave, but only the Layback Slash will change to the Hand Plant trick when surfing to the left.

Other Turn Tricks

■ 360 (D Grade)

All turn tricks are performed by swinging the board to reverse direction and stomping on the back of the board, but players can execute the "360" trick by stomping on the back of the board with the swing entered in the forward direction.

Keep forward swing + stomping the back of the board (swing is kept to the left in this case)

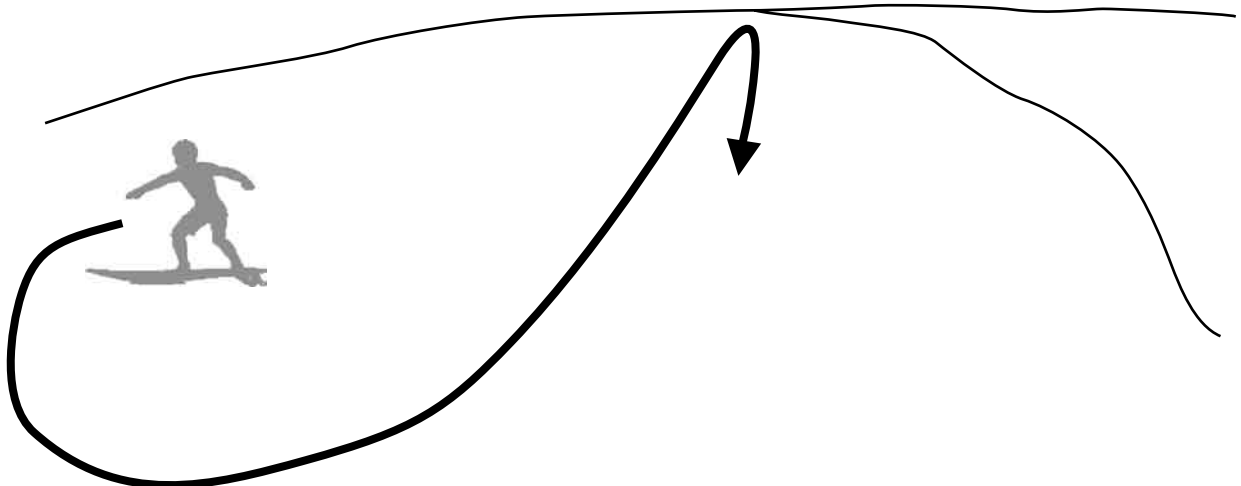


Surf all the way to the bottom of the wave...

■ Round House Cutback (S Grade)

Players can perform the Round House Cutback by surfing in front of the wave, U-turning, and performing a turn trick again at the top of the wave. Turn tricks are entered only by stomping on the back of the board or can be executed by swinging in the reverse direction at the top of the wave.

Reverse swing + stomping on the back of the board (also possible by simply stomping on the back of the board in this case)



U-turn in front of the wave...

Other Special Tricks

■ Ollie (E Grade)

Stomp on the back of the board while surfing the wave incline to perform an Ollie (jump).

■ Reverse (E Grade)

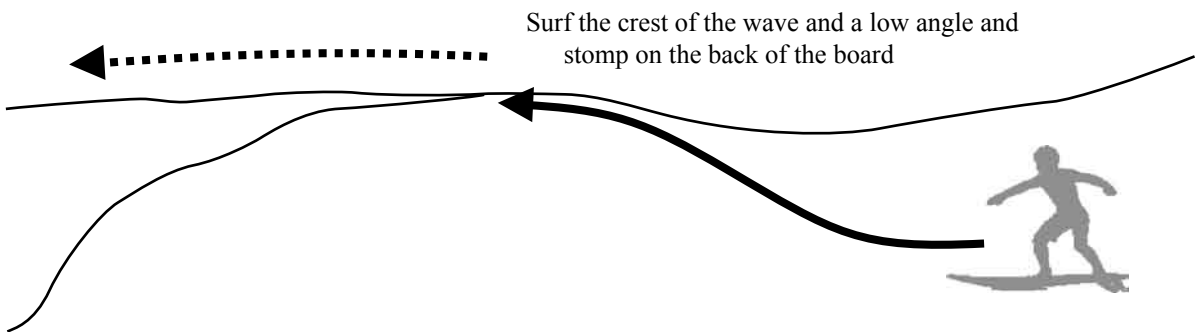
Players can perform a reverse and continue surfing reversed by landing backward after an Ollie or other air trick. Players can return to the normal posture by swinging.

■ Tube Ride (E to S Grade)

Points will be awarded for a Tube Ride when a player enters a tube (wave tunnel). The longer a player is in the tube, the higher the points, the grade, and the number of combos will rise. Players can decelerate by stomping on the back of the board.

■ Floater (C to S Grade)

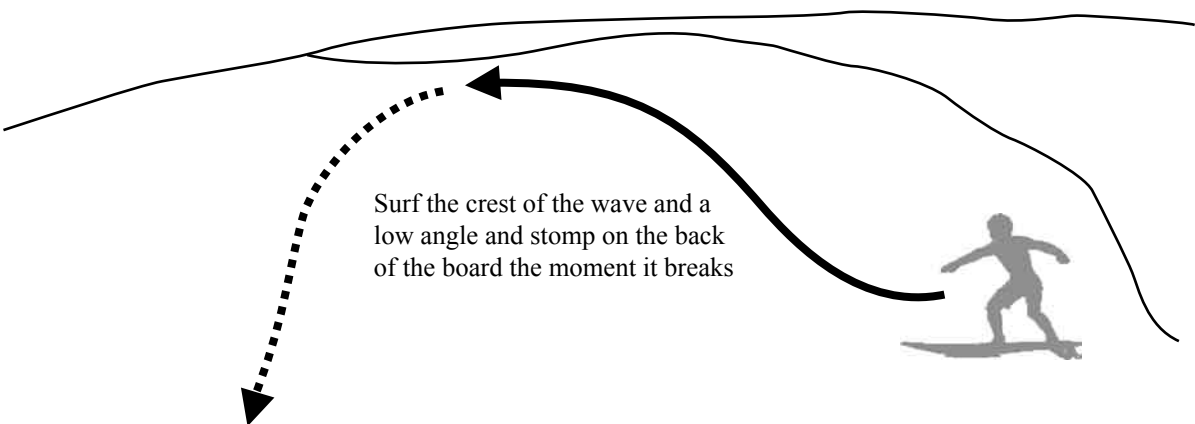
Players can ride the top of a wave by surfing to line up with the white crest of a wave just before it breaks and entering the move by stomping on the back of the board the moment they ride the wave. The points and grade attained will rise the longer the player rides the top of the wave. Players can descend the wave by swinging or stomping on the back of the board.



Players can also perform a Floater by surfing to where a wave has broken and riding the wave by jumping (performing an Ollie).

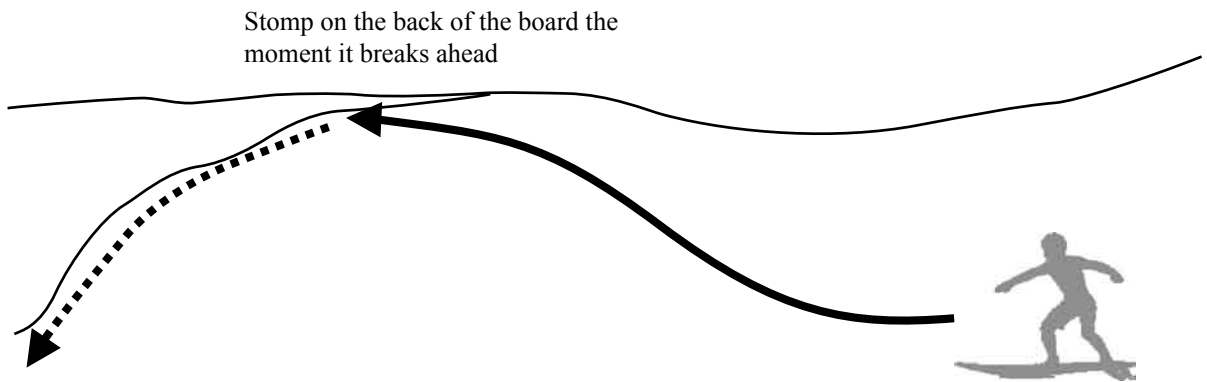
■ Roll In (A Grade)

Players can take a wave and drop with it (Roll In) by surfing in line with a wave the moment it breaks and stomping on the back of the board.



■ Edge Ride (S Grade)

Players can descend along with a wave edge (Edge Ride) by surfing in parallel with the crest of a wave ahead and stopping on the back of the board the moment it breaks.



9. EXPLANATION OF TEST AND DATA DISPLAY

By operating the switch unit, periodically perform the tests and data check. When installing the machine initially or collecting cash, or when the machine does not function correctly, perform checking in accordance with the explanations given in this section.

The following shows tests and modes that should be utilized as applicable.

NAOMI 2 GAME BOARD is used for the product. The system of this game board allows another game to be played by replacing the ROM Board Case mounted on the NAOMI 2 CASE. As such, the Test Mode of this system consists of the System Test Mode for the system to execute SELF-TEST, COIN ASSIGNMENTS, etc. used in common for the machines employing the NAOMI 2 BOARD, and the Game Test Mode for the specific product to execute Input/Output test for the operation equipment, difficulty setting, etc.



- The contents of settings changed in the TEST mode are stored when the test mode is finished from EXIT in the menu mode. If the power is turned off before the TEST mode is finished, the contents of setting change become ineffective.
- Executing "BACKUP DATA CLEAR" in the SYSTEM TEST MODE does not clear the BOOKKEEPING data in the GAME TEST mode.
- Entering the TEST mode clears fractional number of coins less than one credit and BONUS ADDER data.

TABLE 9 EXPLANATION OF TEST MODE

ITEMS	DESCRIPTION	REFERENCE SECTIONS
INSTALLATION OF MACHINE	<p>When the machine is installed, perform the following:</p> <ol style="list-style-type: none"> 1. Check to see that each setting is as per standard setting made at the time of shipment. 2. In the INPUT TEST mode, check such input devices as each SW, V.R., etc. 3. In the OUTPUT TEST mode, check such output devices as lamps, motors, etc. 4. In the SELF-TEST mode, check ICs on the IC Board. 	<p>9-3D, E</p> <p>9-3B</p> <p>9-3C</p> <p>SERVICE MANUAL</p>
MEMORY	<p>Choose MEMORY TEST in the MENU mode to allow the MEMORY test to be performed. In this test, PROGRAM RAMs, ROMs, and ICs on the IC Board are checked.</p>	<p>SERVICE MANUAL</p>
PERIODIC SERVICING	<p>Periodically perform the following:</p> <ol style="list-style-type: none"> 1. MEMORY TEST 2. Ascertain each setting. 3. In the INPUT TEST mode, test the control device. 4. In the OUTPUT TEST mode, check such output devices as lamps, motors, etc. 	<p>SERVICE MANUAL</p> <p>9-3D, E</p> <p>9-3B</p> <p>9-3C</p>
CONTROL SYSTEM	<ol style="list-style-type: none"> 1. In the INPUT TEST mode, check such input devices as each SW, V.R., etc. 2. Adjust or replace each SW and VR. 3. If the problem can not be solved yet, check the control's moves. 	<p>9-3B</p> <p>9-3E, 10</p> <p>10</p>
MONITOR	<p>In the MONITOR ADJUSTMENT mode, check to see if the PROJECTOR adjustment is appropriately made.</p>	<p>SERVICE MANUAL</p> <p>11</p>
IC BOARD	<ol style="list-style-type: none"> 1. MEMORY TEST 2. In the SOUND TEST mode, check the sound related ROMs. 	<p>SERVICE MANUAL</p> <p>SERVICE MANUAL</p>
DATA CHECK	<p>Check such data as game play time and histogram to adjust the difficulty level, etc.</p>	<p>SERVICE MANUAL</p> <p>9-3F</p>



- Adjust the sound to the optimum volume, taking into consideration the environmental requirements of the installation location.
- If the COIN METER and the game board are electrically disconnected, game play is not possible.

SWITCH UNIT

Open the coin chute door, and the switch unit shown will appear.
The functioning of each SW is as follows:

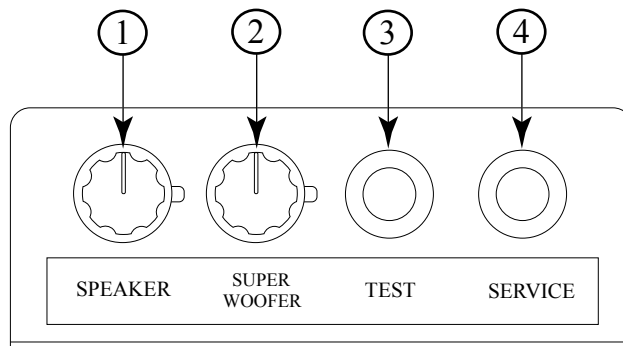


FIG. 9. 1 a SWITCH UNIT

- ① SOUND VOLUM (SPEAKER) :Adjusts the sound volume of the left and right speakers on the control panel.
- ② WOOFER VOLUME (SUPER WOOFER) :Adjust the sound output of the super woofer.
- ③ TEST BUTTON (TEST) :For the handling of the TEST button, refer to the following pages.
- ④ SERVICE BUTTON (SERVICE) :Gives credits without registering on the coin meter.

COIN METER

Open the Cashbox Door by using the key to have the Coin Meter appear underneath the Cashbox.

COIN METERS



PHOTO . 9. 1 b COIN METER



- The contents of settings changed in the TEST mode are stored when the test mode is finished from EXIT in the menu mode. If the power is turned off before the TEST mode is finished, the contents of setting change become ineffective.
- Executing "BACKUP DATA CLEAR" in the SYSTEM TEST MODE does not clear the BOOKKEEPING data in the GAME TEST mode.
- Entering the TEST mode clears fractional number of coins less than one credit and BONUS ADDER data.
- Perform setting as per specified in this manual for operation. If setting not specified is performed for operation, proper function of this product may not be obtained.

In the SYSTEM TEST MODE, IC BD functioning can be checked, the monitor adjusted, and the coin setting performed.

Refer to NAOMI 2 SERVICE MANUAL for the details. Note that the setting of the following items need to be performed in accordance with the instruction given.

- CABINET TYPE: 1PLAYER(S)
- MONITOR TYPE: HORIZONTAL
- SERVICE TYPE: COMMON
- COIN CHUTE TYPE: COMMON

The SEQUENCE SETTING items for COIN/CREDIT SETTING are as follows.

- SEQUENCE SETTING
- SEQUENCE 1: Number of credits required for starting game.
- SEQUENCE 2: Number of credits required for continuing the play.
- SEQUENCE 3 ~ 8: NOT USED

9 - 3 GAME TEST MODE



- When changing the game configuration, changes will not be enabled until the Game Test Mode has been completed. Be sure to exit the Game Test Mode properly after configuration changes.
- Do not configure the game in ways not described in this text, as this may lead to game malfunctions.

A. MENU MODE

Select GAME TEST MODE from the System Menu screen to display the Game Test Menu screen.

Use the SERVICE Button to move the cursor to the desired test item.
Press the TEST Button to enter the selected item.

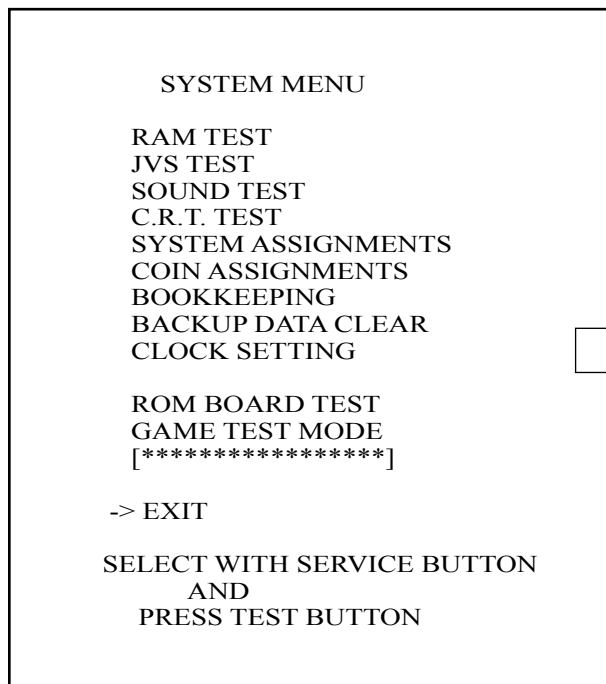


FIG. 9. 3aa SYSTEM TEST MENU Screen

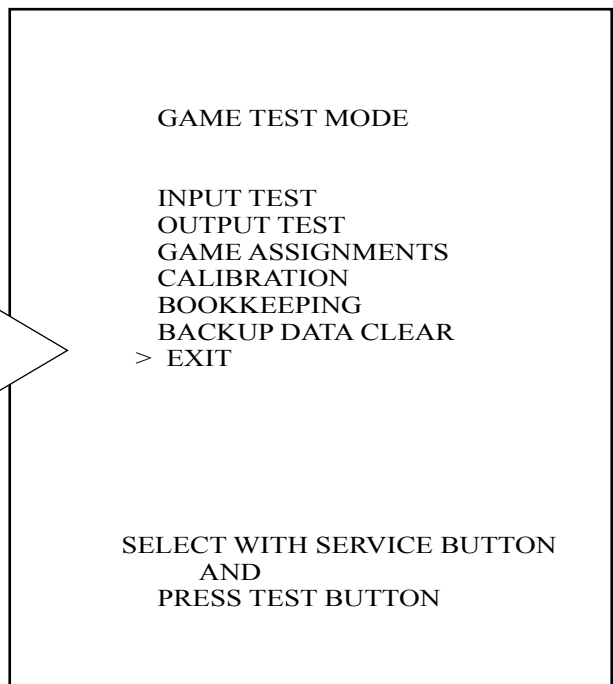
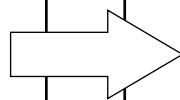


FIG. 9. 3ab GAME TEST MENU Screen

After making changes, be sure to select EXIT and press the TEST Button in order to enable the new settings.

Move the cursor to EXIT and press the TEST Button to return to the System Menu screen.

B. INPUT TEST



- Entering this mode unlocks the surfboard. It will automatically return to center and move in the direction of the load. Be careful so as to avoid accidents such as falling from the surfboard or allowing it to hit your legs.
- Take particular care to conduct the Sensor Mat input test. Failing to conduct the test or operating the machine when the Sensor Mat is not in optimum condition may cause accidents.

Select INPUT TEST to display the following screen and check the status of input devices. This test should be used periodically to check that each input device is functioning correctly. Make sure that the indicator for each of the input devices can be changed from OFF to ON as you operate the corresponding device.

INPUT TEST	
START	OFF
LEFT BUTTON	OFF
RIGHT BUTTON	OFF
BOARD SWING	82H
BOARD ROLL	83H
BOARD PITCH	9AH
SENSOR MAT	OFF
SERVICE	OFF
TEST	OFF

PRESS TEST AND SERVICE BUTTON TO EXIT

FIG. 9. 3 b a INPUT TEST Screen

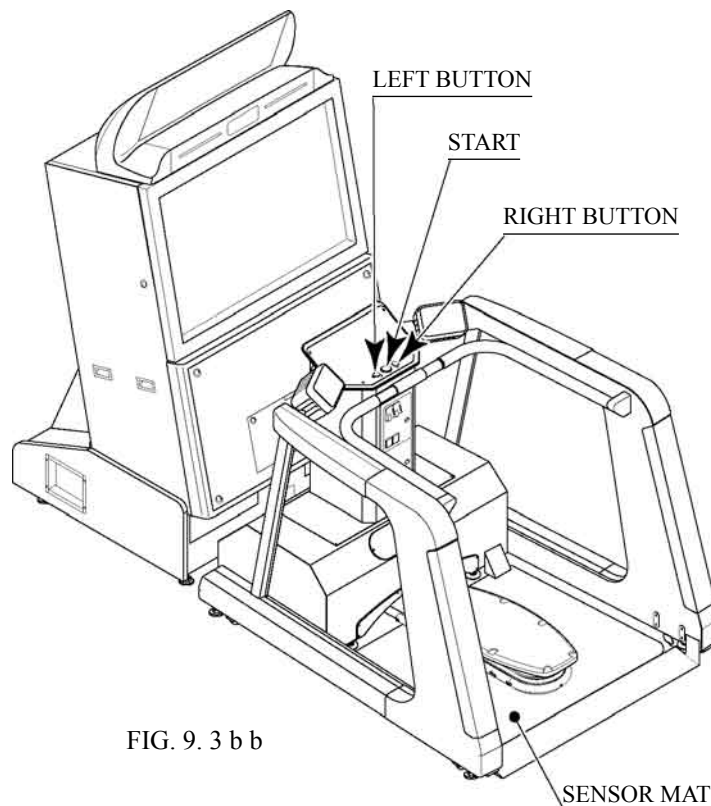


FIG. 9. 3 b b

Input values related to the surfboard will change in real time. Confirm that the values change smoothly in response to motion of the board.

Press the SERVICE and TEST Buttons simultaneously to return to the Game Test Menu screen.

Recommended Display Values

- BOARD SWING 70 H ~ 90 H
- BOARD ROLL 70 H ~ 90 H
- BOARD PITCH 70 H ~ 80 H

If the surfboard value is set within the above range when it is in the neutral position (it remains still when free), its design will not allow volume damage.

If values outside the range of the display value appear or values do not change smoothly in response to the motion of the board, malfunctions or volume damage may result. Refer to Section 10 and make adjustments to the volume gear engagement, etc.

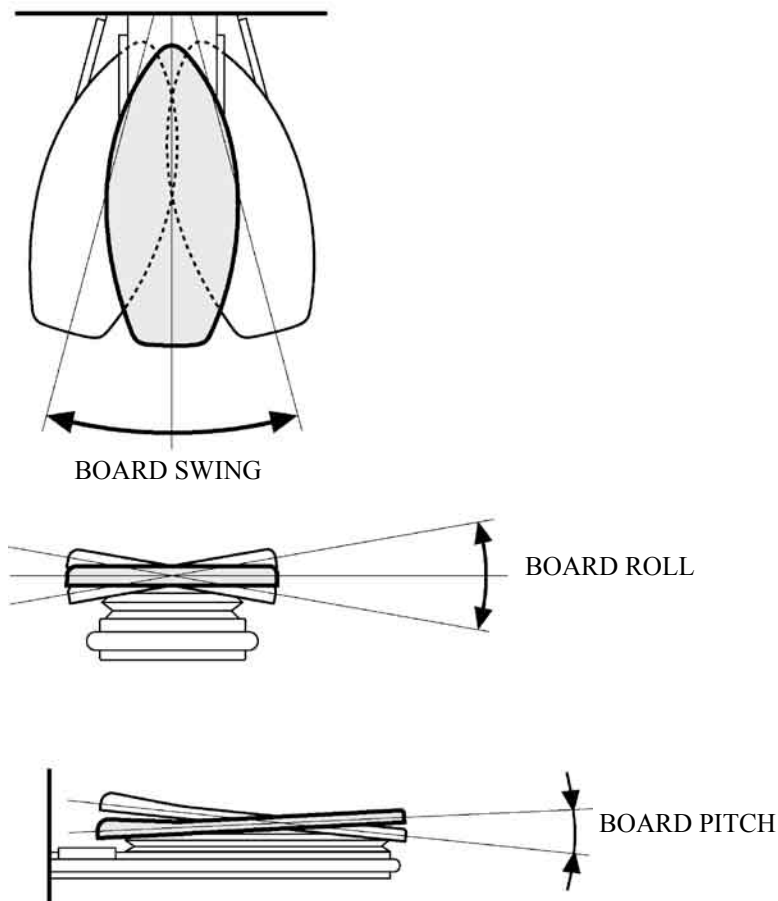


FIG. 9. 3 b c

C. OUTPUT TEST



Entering this mode unlocks the surfboard. It will automatically return to center and move in the direction of the load. Be careful so as to avoid accidents such as falling from the surfboard or allowing it to hit your legs.

Select OUTPUT TEST to display the following screen and check the status of each lamp. This test should be used periodically to check that the lamps are functioning correctly.

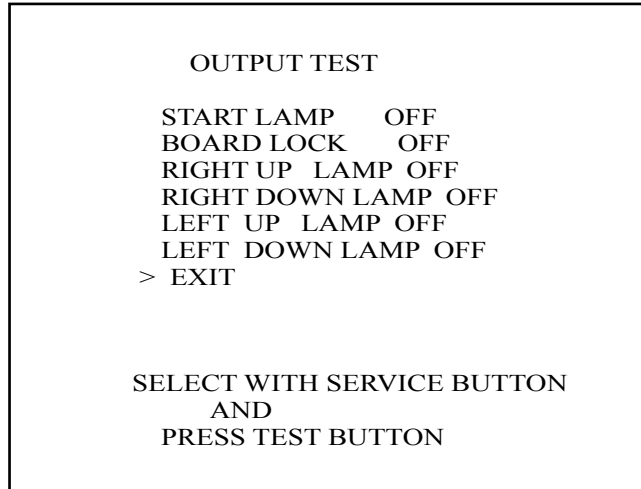


FIG. 9. 3 c a OUTPUT TEST Screen

Press SERVICE Button to move the cursor to the lamp item to be checked. Then press the TEST Button. The indicator to the right of the name of the currently selected item turns from "OFF" to "ON".

If the lamp associated with the selected item lights up and the surfboard is locked when the indicator is ON, the functionality is normal.

Move the cursor to EXIT and press the TEST Button to return to the Game Test Menu screen.

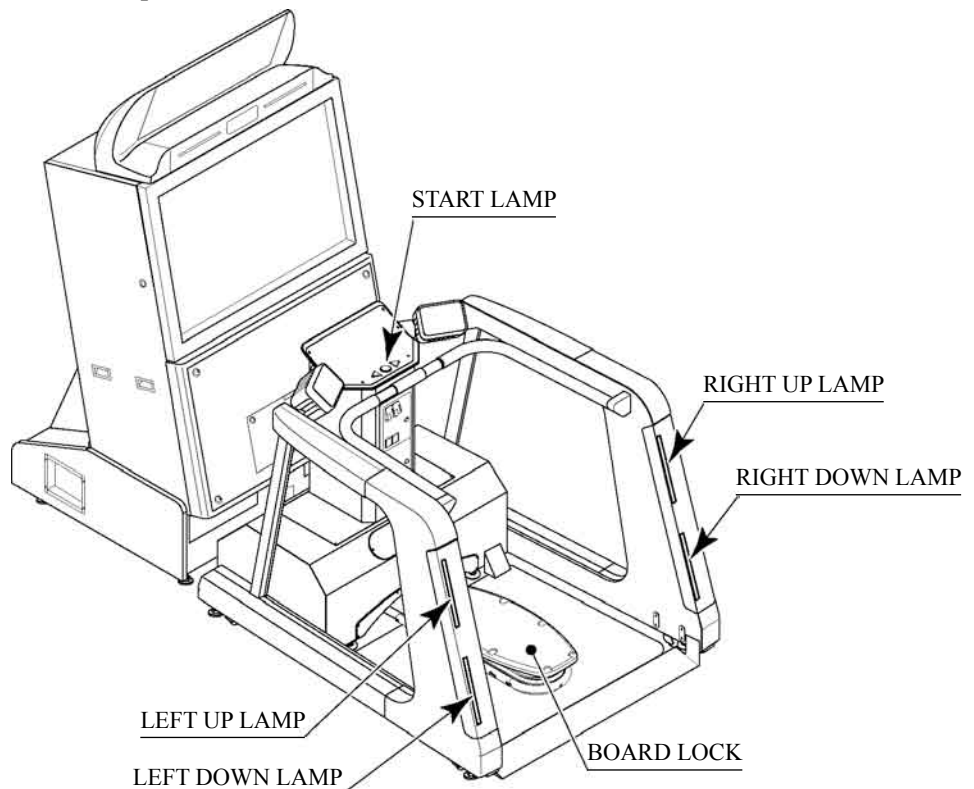


FIG. 9. 3 c b

D. GAME ASSIGNMENTS

Select GAME ASSIGNMENTS to display the current game settings and make changes.

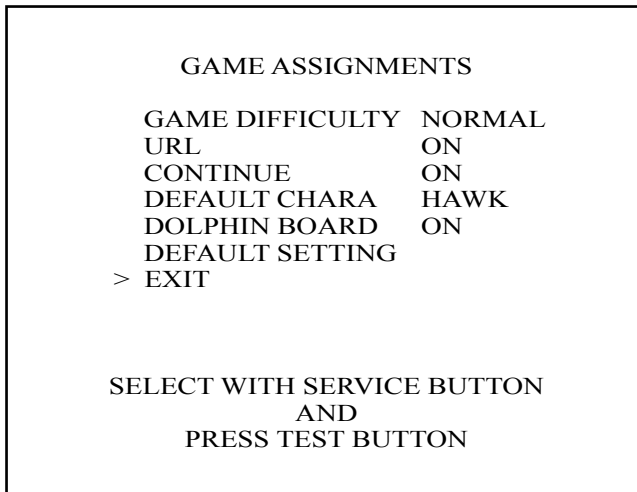


FIG. 9. 3 d GAME ASSIGNMENTS Screen

- **GAME DIFFICULTY:**
This sets the level of difficulty for the game.
Choose from VERY EASY/EASY/NORMAL/HARD/VERY HARD.
The higher the level of difficulty, the greater the number of points required to clear the game.
The default value is NORMAL.
- **URL:**
This sets the display of the game's official web page to ON or OFF during the advertising screen.
The default value is ON.
In addition, when set to ON, the password for Internet ranking will be displayed at the bottom of the ranking screen after name entry, if the following conditions have been fulfilled:
 - All course stages have been cleared.
 - A player achieves a high score ranking on the machine played (valid for the top 44 names).
 - A player has beaten the high score of at least one of the course stages.
- **CONTINUE:**
This enables or disables the continue function. If set to ON, players will be able to continue after failing to clear a stage.
The default value is ON.

- **DEFAULT CHARA:**
This sets the first character to be used after the start of the game.
Choose from HAWK/VIPER/FOX/DAISY.
The default value is HAWK.

- **DOLPHIN BOARD:**
This enables or disables the use of the hidden character DOLPHIN RIDER. If set to ON,
DOLPHIN RIDER can be selected by inputting a command at the character select screen.
The default value is ON.

- **DEFAULT SETTING:**
The settings for all items in the GAME ASSIGNMENTS Menu can be returned to the default
values by pressing the TEST Button to select this item.

Changes to settings are not enabled until Test Mode is exited. After changing settings, be sure to exit Test Mode.

After changing the settings, select EXIT and press the TEST Button to return to the Game Test Menu screen.

E. CALIBRATION



When entering this mode to adjust the volume settings, be aware that pressing the Service Button will unlock the surfboard. The board will automatically return to center and move in the direction of the load. Be careful so as to avoid accidents such as falling from the surfboard or allowing it to hit your legs.



- Be sure to set the volume values in this mode after adjusting or exchanging the volume.
- Be sure to return the surfboard to the center position before confirming settings by pressing the Service Button. Pressing the Service Button while the board is to left or right of center will result in inaccurate settings.

Select INPUT TEST to display the following screen. Use this mode to set the volume values for detecting surfboard motion (SWING, ROLL, PITCH).

```
CALIBRATION  
  
BOARD SWING  RIGHT C0  
              LEFT  40  
              CENTER 80  
BOARD ROLL   RIGHT C0  
              LEFT  40  
              CENTER 80  
BOARD PITCH  REAR  40  
              FRONT 80  
  
PRESS SERVICE BUTTON TO START CALIBRATION  
  
PRESS TEST BUTTON TO EXIT
```

FIG. 9. 3 e a CALIBRATION Screen

- ① When setting volume calibration, first press the SERVICE Button. The surfboard will unlock, so be careful.
Part of the screen display will change as follows.

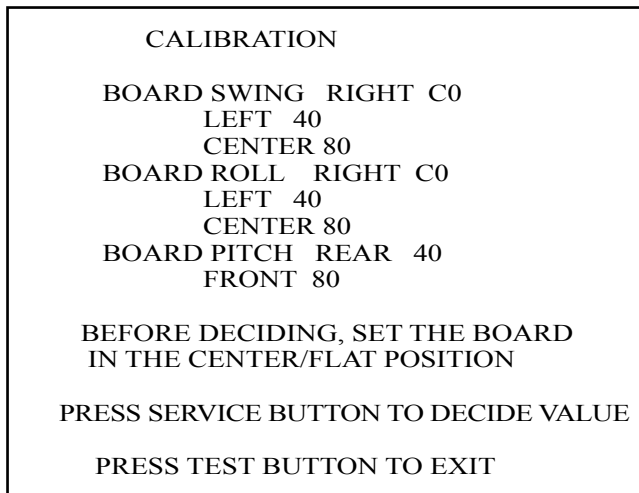


FIG. 9. 3 e b CALIBRATION Screen

- ② At the above screen, swing the surfboard until it contacts the left and right stoppers. The left and right swing input values will be displayed from top to bottom as RIGHT/ LEFT/ CENTER.
- ③ Tilt the surfboard left and right until it contacts the stoppers. The left and right roll input values will be displayed from top to bottom as RIGHT MAX / LEFT MAX / CENTER.
- ④ Step on the back of the surfboard, moving it up and down until it contacts the stoppers. The rear pitch input values will be displayed from top to bottom as REAR MAX/ FRONT MAX.
- ⑤ Ensure that the swing/roll values input are equal for left and right directions. When the above settings have been completed, descend from the surfboard, return the surfboard to center and press the SERVICE Button to set the calibration.
- ⑥ Press the TEST Button when settings have been completed to return to the Menu Screen.

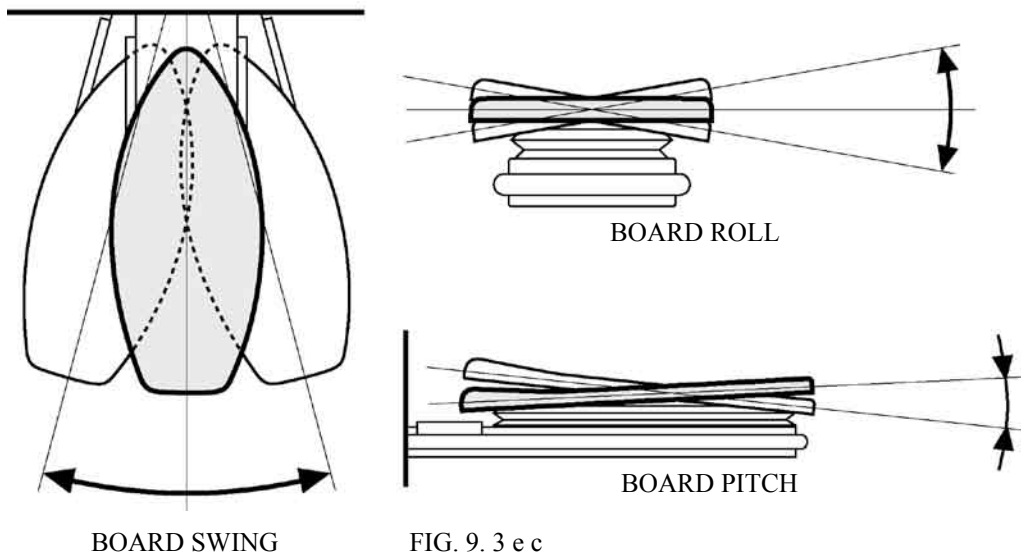


FIG. 9. 3 e c

F. BOOKKEEPING

Select BOOKKEEPING to display the following screens of operating status data. Pressing the TEST button toggles between the first (BOOKKEEPING 1/2) and second (BOOKKEEPING 2/2) screens.

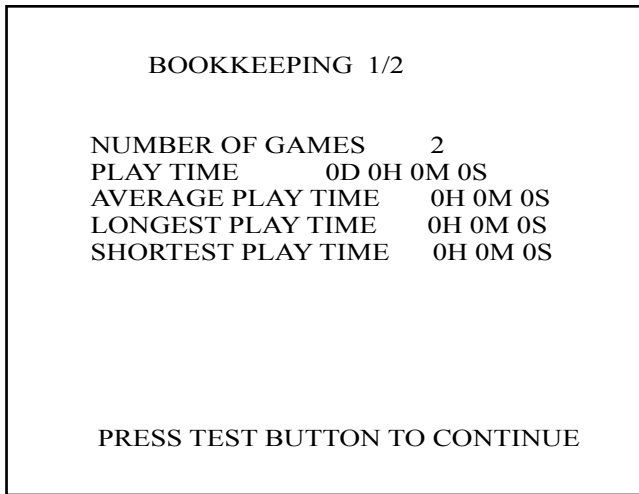


FIG. 9. 3 f a BOOKKEEPING Screen (1/2)

- NUMBER OF GAMES: Indicates the total number of plays.
- PLAY TIME: Indicates the sum of the play time.
- AVERAGE PLAY TIME: Total play time divided by number of games played.
- LONGEST PLAY TIME: Indicates the longest game play time.
- SHORTEST PLAY TIME: Indicates the shortest game play time.

Press the TEST Button to display the BOOKKEEPING 2/2 screen.

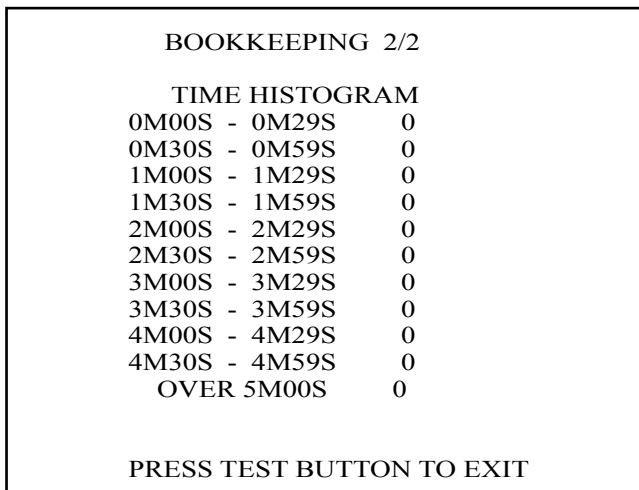


FIG. 9. 3 f b BOOKKEEPING Screen (2/2)

TIME HISTOGRAM shows the number of plays and the respective play times. This histogram should be referred to when setting the Game Difficulty.

Press the TEST Button to return to the Game Test Menu screen.

G. BACKUP DATA CLEAR

Select BACKUP DATA CLEAR to clear the contents of BOOKKEEPING and Ranking Data.

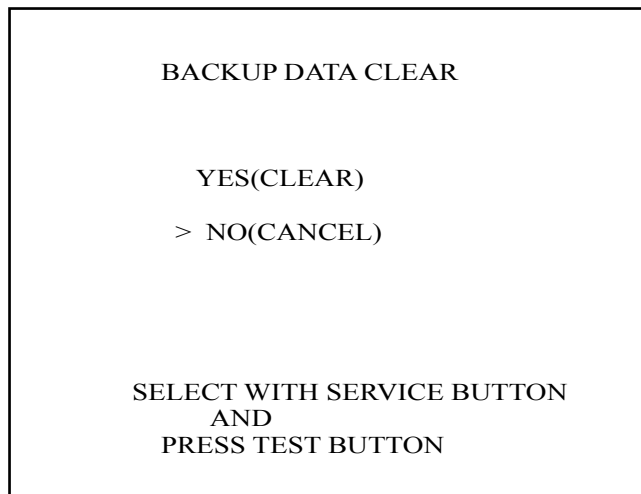


FIG. 9. 3 g BACKUP DATA CLEAR Screen

To clear data, use the SERVICE Button to move the cursor to YES (CLEAR) and then press the TEST Button.

When the data has been cleared, the message "COMPLETED" will be displayed.

Press the TEST Button again to return to the Game Test Menu screen.

Move the cursor to NO (CANCEL) and press the TEST Button to return to the Game Test Menu screen without clearing the data.

Note that this operation does not affect the settings for GAME ASSIGNMENTS and VOLUME SETTINGS.

Using the BACKUP DATA CLEAR function from this screen will not affect coin/credit data. To clear coin/credit data, use the BACKUP DATA CLEAR function in SYSTEM TEST MODE.

10. MAINTENANCE OF SURFBOARD MECHANISM UNIT



- Before starting to work, ensure that the Power SW is OFF. Failure to observe this can cause electric shock or short circuit.
- Use care so as not to damage wirings. Damaged wiring can cause electric shock or short circuit.
- Do not touch undesignated places. Touching places not designated can cause electric shock or short circuit.
- This work should be performed by the Location's Maintenance Man or Serviceman. Performing work by non-technical personnel can cause electric shock hazard.
- Do not perform work other than those specified in this Manual in order to prevent accidents during performing work and operation after performing work. Performing work not specified in this Manual may require special training for this product. If performing work other than those stated in this manual is required for repair, contact the offices herein stated in this manual or where you purchased the product from and ask for repair or inquire how to repair.
- Take care not to get caught in the gears or the Mechanism Assembly. If you encounter such an accident, you may be seriously injured (e.g., a bone fractures, or of your body is cut).
- Take care not to lose any fasteners or their related parts (e.g., screws, bolts, washers). If a metallic fastener or its related part touches a conductive part, a short circuit or fire may be caused.
- Be especially careful when soldering. Failure to use a soldering iron carefully may result in a fire or burns.
- Be extremely careful when heating the heat-shrinkable tube. Failure to do so may result in a fire or burns.

The surfboard controller input device (board mechanism) consists of one volume to detect SWING direction, one volume to detect ROLL direction and one volume to detect PITCH.

Confirm the operation of the input device through the TEST MODE once a month.

Substandard performance or the inability to correct problems through TEST MODE CALIBRATION indicates an abnormality in the controller input device.

The adjustment of spare volumes and their method of replacement are explained in this manual.

In addition, it is necessary to grease the constituent part of this product periodically.

10 - 1 ADJUSTMENT/REPLACEMENT OF THE SWING DIRECTION VOLUME

The surfboard SWING motion (turn) detector volume is located to the interior of the volume lid under the cache box door.

The following tools are required for the operations below: an M4 screw Phillips screwdriver, a wrench with an opposite side distance of 1.5 millimeters, an adjustable spanner with an opposite side distance of 10 to 11 millimeters, nippers, cutters, a wire stripper, a soldering iron and an industrial dryer.

ADJUSTING PROCEDURE

- ① Turn of the power.
- ② Remove the four screws that secure the volume lid under the cache box door and remove the volume lid.

VOLUME LID

TRUSS SCREW (4), black
M4×10



PHOTO 10. 1 a

- ③ There is a Metal Plate behind the Volume Lid. Remove the four screws and remove the Metal Plate.

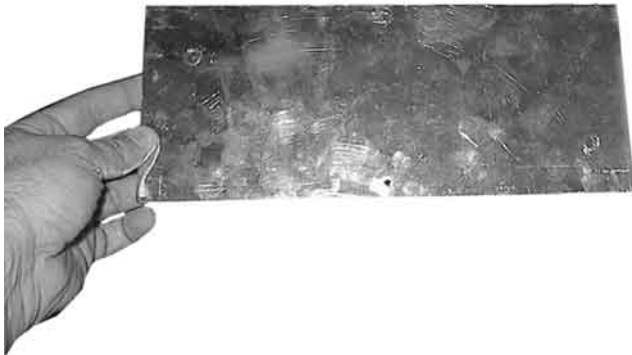


PHOTO 10. 1 ab

- ④ There is a SWING VR unit to the interior of the volume lid. A connector is connected to the left side of the unit. Disconnect the connector and release the cord clamp that secures the wiring.

Disconnect the connector.
Release the cord clamp.

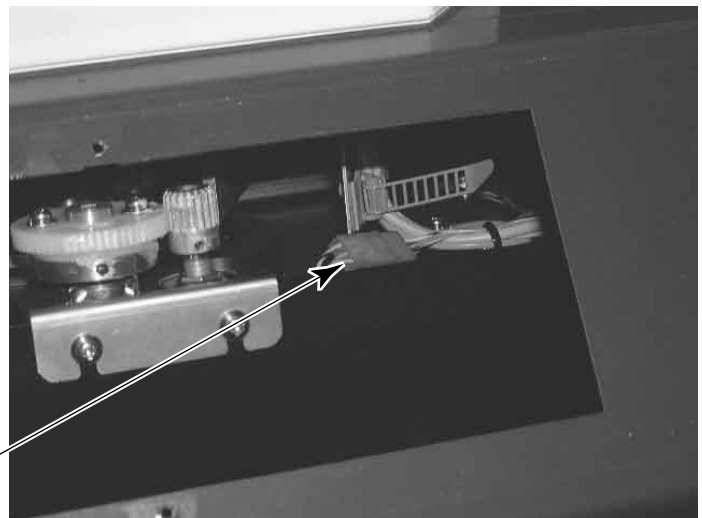


PHOTO 10. 1 b

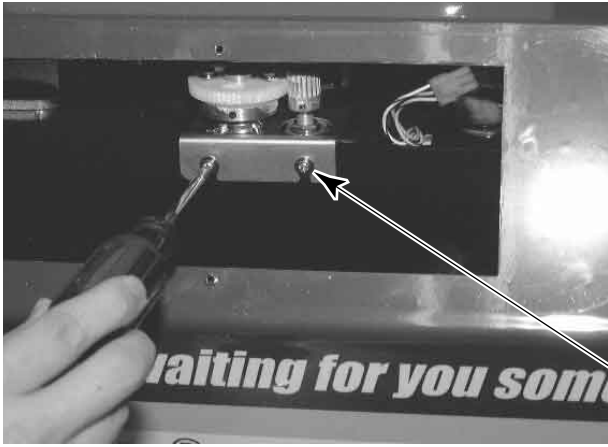


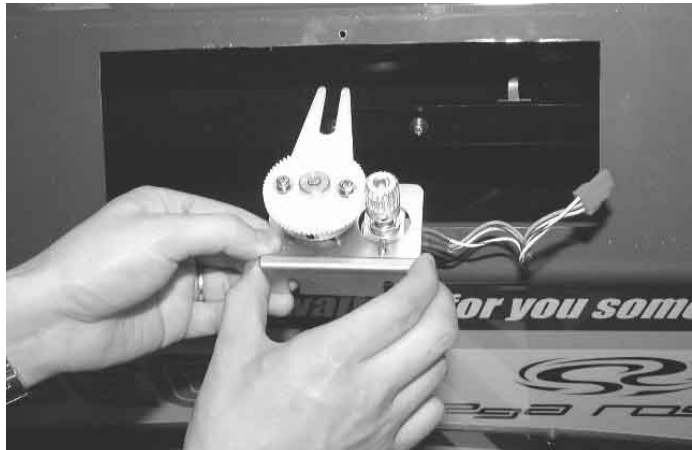
PHOTO 10.1 c

- ⑤ Loosen the two screws that secure the unit. Be careful not to loosen them too much at this time. The screws may fall into the interior of the cabinet if removed.

SCREW (2), black
M4×12, w/flat & spring washers

- ⑥ Remove the SWING VR unit. Be careful not to damage the wiring at this time.

PHOTO 10.1 d



- ⑦ Loosen the two screws that secure the VR plate and adjust the gear engagement. At this time, engage the gears so that the D cut face of the volume axle and the SWING VR guide are arranged as shown in Figure 10.1a.

VR PLATE



SCREW (2)
M4×8, w/flat & spring washers

PHOTO 10.1 e

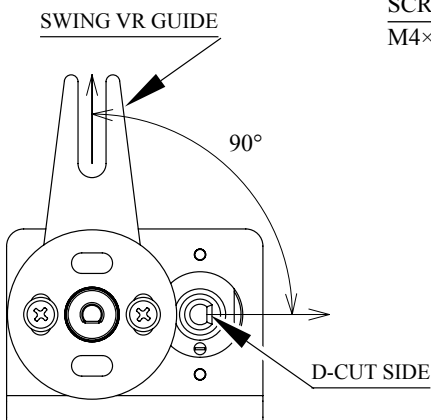


FIG. 10.1

- ⑧ Tighten the two loosened screws after performing the adjustment.
- ⑨ Install the SWING VR unit in its original position. Install the VR guide so that it straddles the interior shaft and secure it by tightening the two loosened screws.

SHAFT

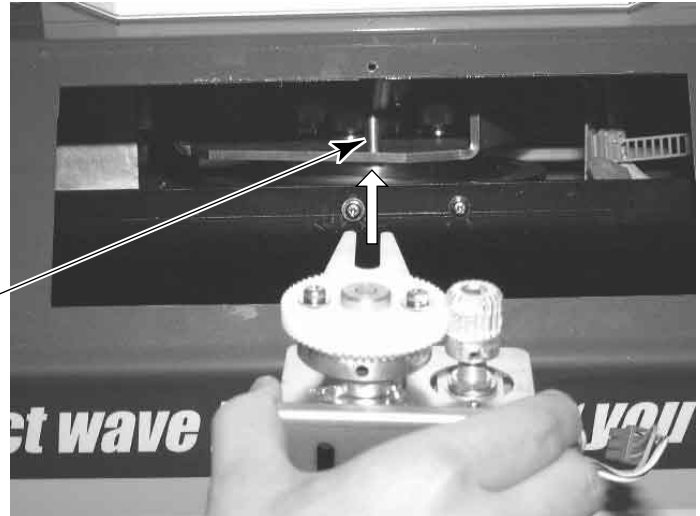


PHOTO 10.1 f

- ⑩ Connect the connector and secure the wiring with the cord clamp. At this time, be especially careful not to damage the wiring with the interior constituent parts.
- ⑪ Turn on the power and perform CALIBRATION in TEST MODE. (Refer to 9-3 E.)
- ⑫ Check the volume values. Be sure to confirm that they are within the recommended value range and that they change smoothly in line with operation. (Refer to 9-3 B.)

REPLACING PROCEDURE

- ① Perform "Adjustment" 1 through 5 as listed above and remove the SWING VR unit.
- ② Loosen the two screws that secure the VR plate and remove the VR plate from the unit with the gears and volumes attached.
- ③ Loosen the two hexagon socket screws that secure the gears and remove the volume axle from the gears.

VR PLATE

HEXAGON SOCKET SCREW (2)
M3×6

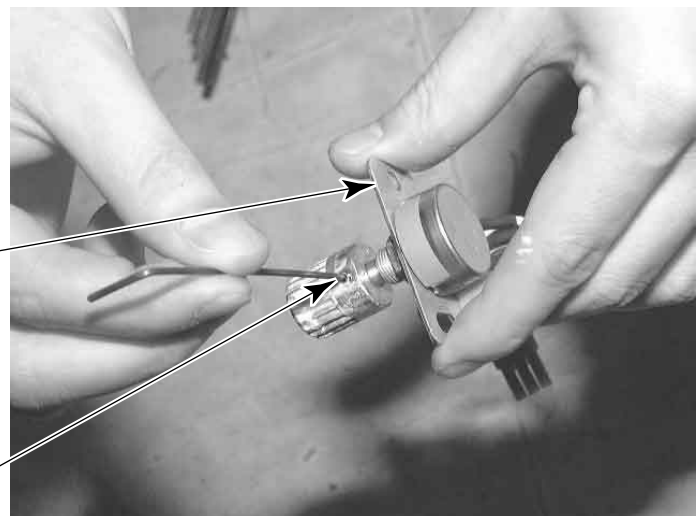


PHOTO 10.1 g

- ④ Remove the hexagon nuts that secure the volumes to the VR plate and remove them from the VR plate.

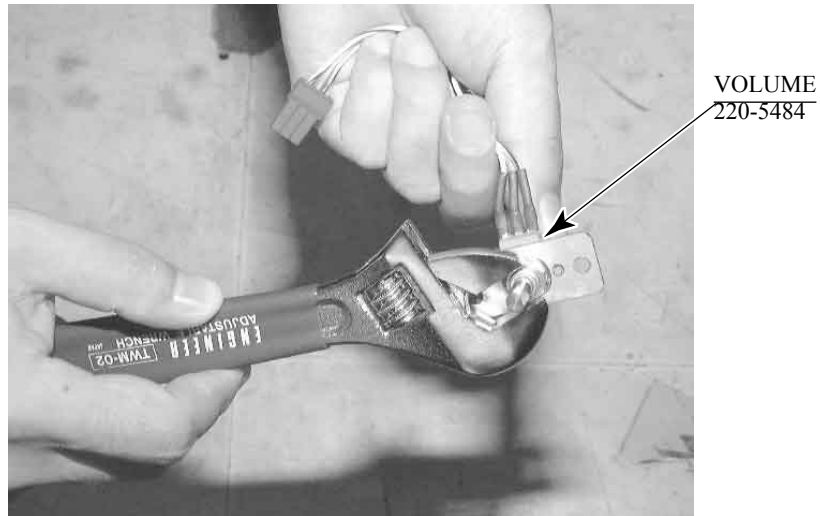


PHOTO 10.1 h

- ⑤ The wiring attached to the volumes is used as is. Cut the connection areas with the nippers.



PHOTO 10.1 i

- ⑥ Remove the old heat-shrinkable tube from the wiring.
- ⑦ Remove the coating from the wire tips with the wire strippers. Expose about five millimeters of conducting wire.

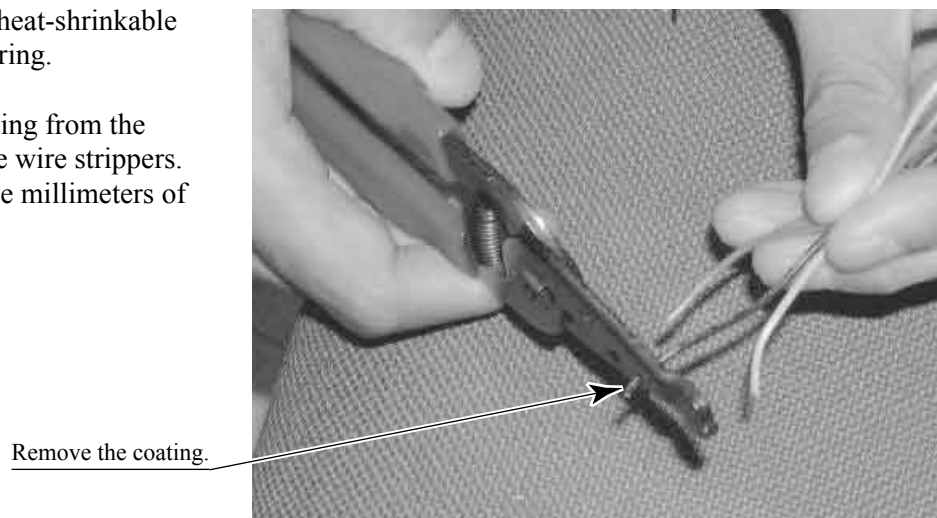


PHOTO 10.1 j

- ⑧ Pass each of the included heat-shrinkable tubes through to the wiring.

Insert the wire into
heat-shrinkable tube.

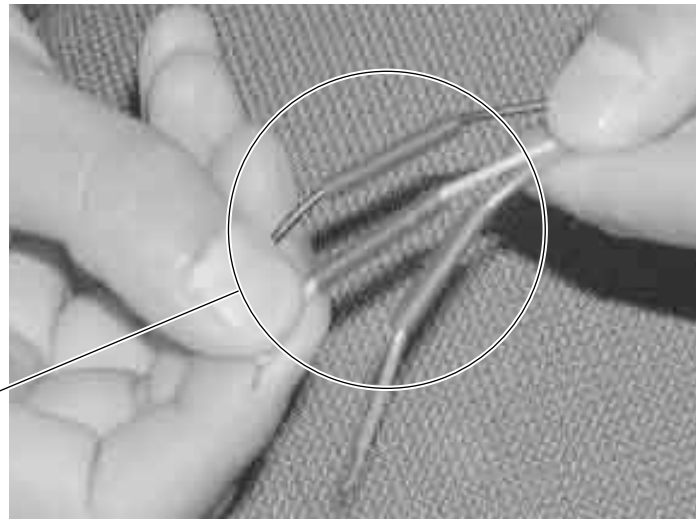


PHOTO 10. 1 k

- ⑨ Solder the wires to the terminal posts of the volumes to be replaced. Check the wiring diagram and be careful not to solder the wrong wires.

Solder the wires.

VOLUME
220-5484

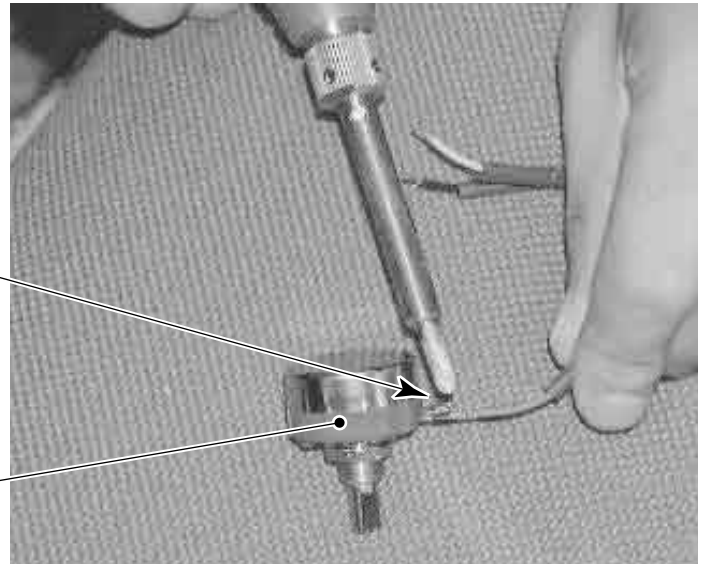


PHOTO 10. 1 l

- ⑩ Heat the heat-shrinkable tubes with the industrial dryer and weld so that the heat-shrinkable tube covers the welding area.

- ⑪ Attach the volume to the VR plate and secure the gears to the volume axles.

- ⑫ Attach the VR plate to the unit. At this time, assemble it so that the gears engage as explained in "Adjustments" 6 and 7, listed above.

- ⑬ Perform the operations listed in "Adjustments" 8 through 11, listed above, assemble the replaced volume, and confirm that the replaced volume functions normally.

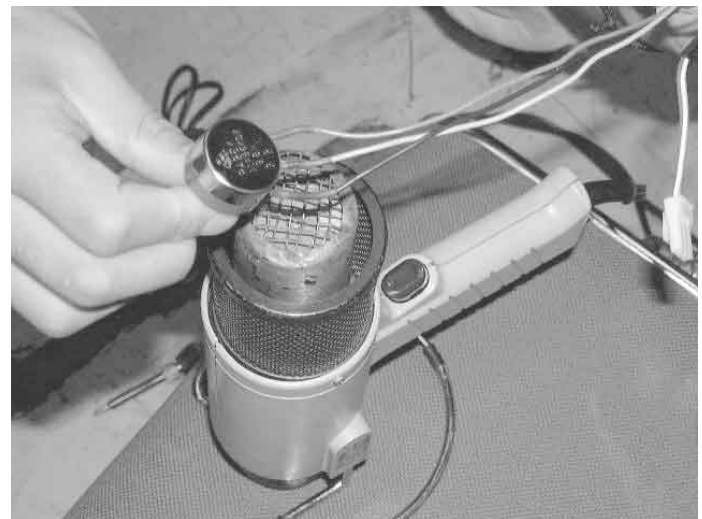


PHOTO 10. 1 m

10 - 2 ADJUSTMENT/REPLACEMENT OF THE ROLL DIRECTION VOLUME

The surfboard ROLL motion (tilt) detector volume is located to the interior of the bellows under the rear of the surfboard.

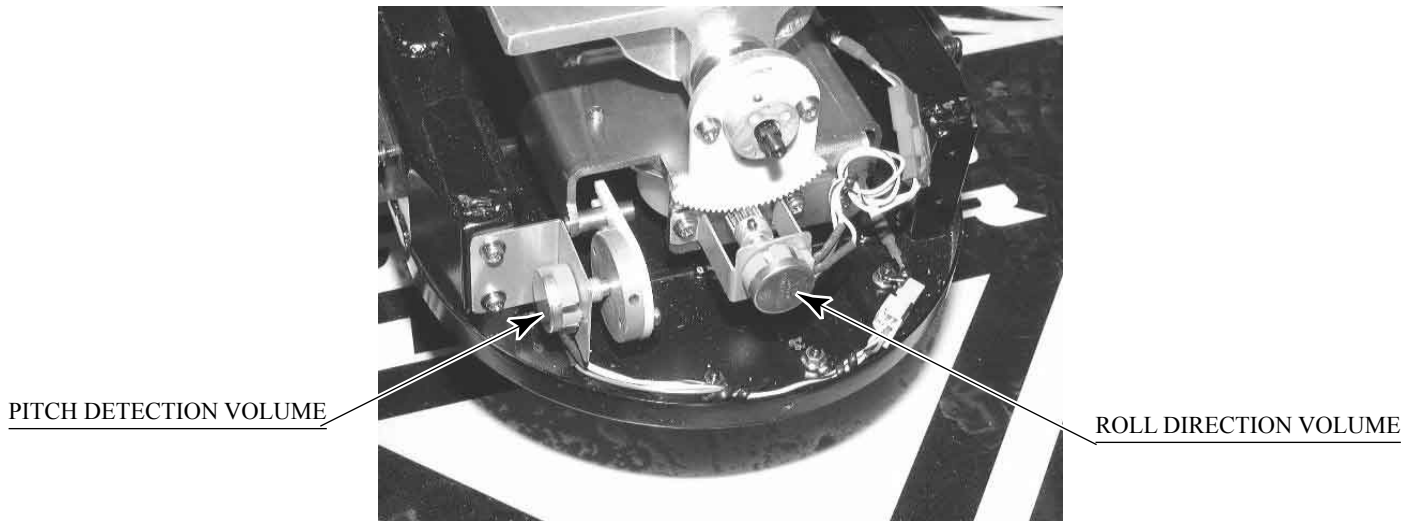


PHOTO 10. 2 a

The following tools are required for the operations below: an M4 screw Phillips screwdriver, a hexagonal wrench with an opposite side distance of 1.5 millimeters, an adjustable spanner with an opposite side distance of 10 to 11 millimeters, nippers, cutters, a wire stripper, a soldering iron and an industrial dryer.

ADJUSTING PROCEDURE

- ① Turn of the power.
- ② Loosen the screws at the rear of the surfboard (one to the left and one to the right).

SCREW (1 each), black
M4×12, w/flat & spring washers



PHOTO 10. 2 b

- ③ Remove the one screw from the lower rear surface of the surfboard.

SCREW (1), black
M4×12, w/flat & spring washers



PHOTO 10. 2 c

- ④ Remove the catch from the bellow and remove the tail lid from the surfboard.

TAIL LID



PHOTO 10. 2 d

- ⑤ Remove the three screws from each of the bellows sashes and remove the sashes from the left and right of the surfboard.



SCREW (3 each), black
M4×8, w/flat & spring washers



BELLOWS SASH

PHOTO 10. 2 e

- ⑥ Lift the bellows to be able to see the ROLL VR unit. Loosen the two screws that secure the ROLL VR unit and adjust the gear engagement. When the surfboard is level to the ground, engage the gears so that the D-cut face of the volume axle is arranged as shown in Figure 10.2.



PHOTO 10. 2 f

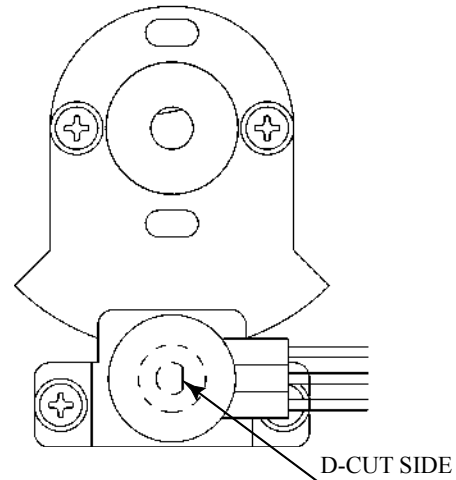


FIG. 10. 2

SCREW (2), black
M4×8, w/flat & spring washers

- ⑦ Tighten the two loosened screws after performing the adjustment.
- ⑧ Turn on the power and perform CALIBRATION in TEST MODE. (Refer to 9-3 E.)
- ⑨ Check the volume values. Be sure to confirm that they are within the recommended value range and that they change smoothly in line with operation. (Refer to 9-3 B.)
- ⑩ Attach the bellows sashes and tail lids after checking.

REPLACING PROCEDURE

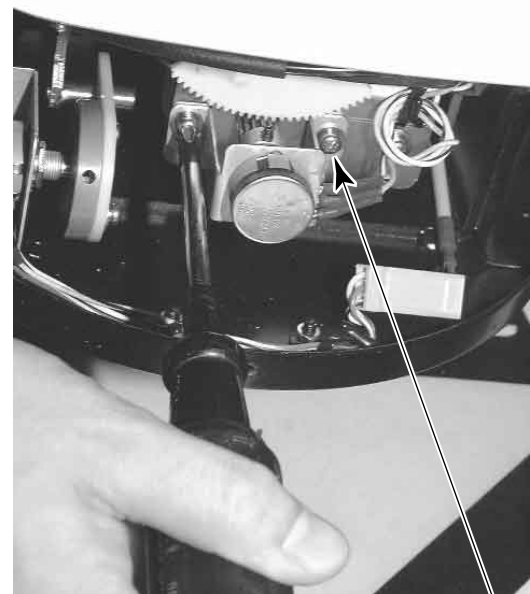
- ① Perform the operations listed in "Adjustments" 1 through 6, listed above.
- ② Loosen the harness lug that secures the wiring and remove the connector from the bottom right side of the surfboard.



CONNECTOR (1)

PHOTO 10. 2 g

- ③ Remove the two screws and remove the ROLL VR unit.



SCREW (2), black
M4×8, w/flat & spring washers

PHOTO 10. 2 h

- ④ Loosen the two hexagon socket screws that secure the gears and remove the gears from the volume axle.

HEXGAON SOCKET SCREW (2)
M3×6

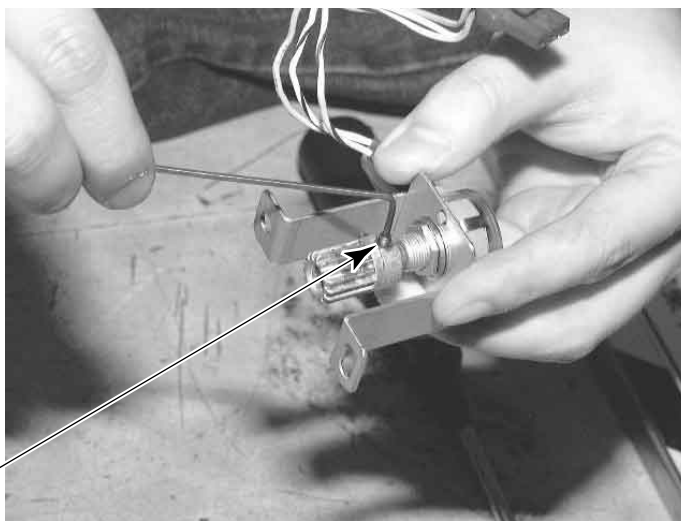


PHOTO 10. 2 i

- ⑤ Remove the hexagon nuts that secure the volume to the VR bracket and remove it from the VR bracket.

VOLUME
220-5484

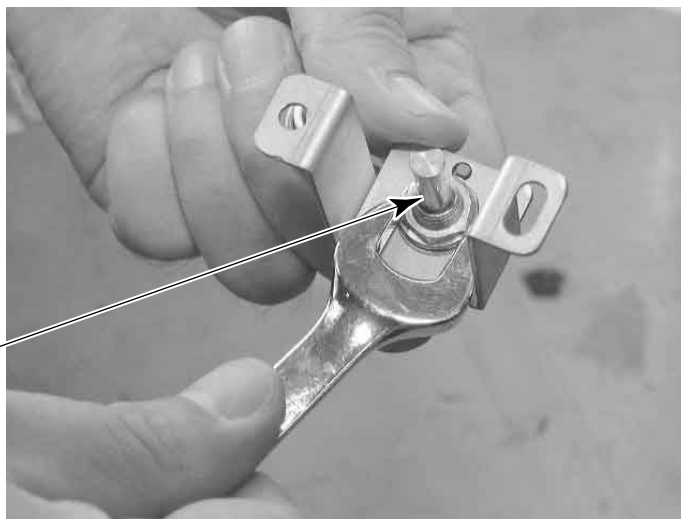


PHOTO 10. 2 j

- ⑥ The wiring attached to the volumes is used as is. Cut the connection areas with the nippers.
- ⑦ Remove the old heat-shrinkable tube from the wiring.
- ⑧ Remove the coating from the wire tips with the wire strippers. Expose about five millimeters of conducting wire. (See PHOTO 10. 1 j)
- ⑨ Pass each of the included heat-shrinkable tubes through to the wiring. (See PHOTO 10. 1 k)
- ⑩ Solder the wires to the terminal posts of the volumes to be replaced. Check the wiring diagram and be careful not to solder the wrong wires. (See PHOTO 10. 1 l)
- ⑪ Heat the heat-shrinkable tubes with the industrial dryer and weld so that the heat-shrinkable tube covers the welding area. (See PHOTO 10. 1 m)

- ⑫ Attach the volume to the VR bracket and secure the gears to the volume axles.
- ⑬ Install the ROLL VR unit. At this time, assemble it so that the gears engage as explained in "Adjustments" 6 and 7, listed above. Secure the wiring with harness lugs after connecting the connector.
- ⑭ Perform the operations listed in "Adjustments" 8 and 9, listed above and confirm that the replaced volume functions normally. In addition, be especially careful not to damage the wiring with the interior constituent parts.
- ⑮ After confirmation, attach the two bellows sashes and the tail lid.

10 - 3 PITCH DETECTION VOLUME REPLACEMENT

The surfboard's PITCH detection volume is located to the interior of the bellows under the surfboard to the rear.

The following tools are required for the operations below: an M4 screw Phillips screwdriver, a hexagonal wrench with an opposite side distance of 1.5 millimeters, an adjustable spanner with an opposite side distance of 10 to 11 millimeters, nippers, cutters, a wire stripper, a soldering iron and an industrial dryer.

There is no gear engagement adjustment for the PITCH detection volume.

Attach the VR guide to the volume axle at an angle such that the tips of the screws that secure the VR guide touch the volume axle D cut face. To avoid the possibility of damage to the volume or poor operation, attach them so that the VR guide moves smoothly in line with the movement of the constituent parts pin.

REPLACING PROCEDURE

- ① Perform 10-2 operations 1 through 5.
- ② Lift the bellows to be able to see the PITCH VR unit. Loosen the harness lug that secures the wiring and remove the connector from the bottom right side of the surfboard.



CONNECTOR (1)

PHOTO 10. 3 a

- ③ Remove the two screws and remove the PITCH VR unit.



SCREW (2), black
M4×8, w/flat & spring washers

PHOTO 10. 3 b

- ④ Loosen the two hexagon socket screws that secure the VR guide and remove the VR guide from the volume axle.

HEXAGON SOCKET SCREW (2)
M3×6

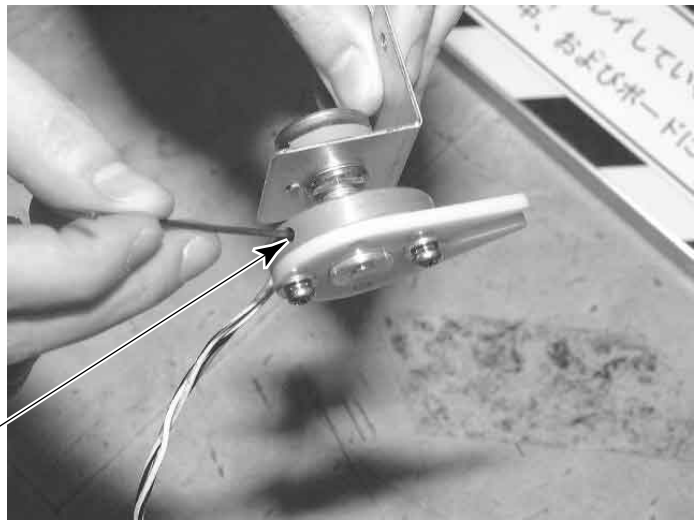


PHOTO 10. 3 c

- ⑤ Remove the hexagon nuts that secure the volume to the VR bracket and remove the VR bracket.

VOLUME
220-5484

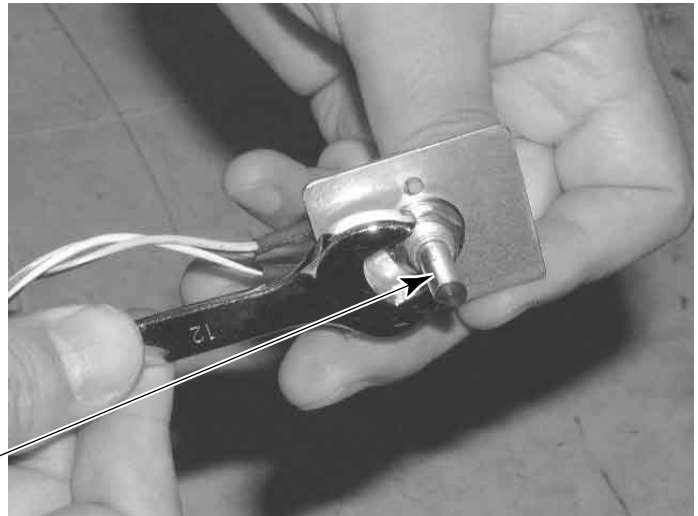


PHOTO 10. 3 d

- ⑥ The wiring attached to the volumes is used as is. Cut the connection areas with the nippers.
- ⑦ Remove the old heat-shrinkable tube from the wiring.
- ⑧ Remove the coating from the wire tips with the wire strippers. Expose about five millimeters of conducting wire. (See PHOTO 10. 1 j)
- ⑨ Pass each of the included heat-shrinkable tubes through to the wiring. (See PHOTO 10. 1 k)
- ⑩ Solder the wires to the terminal posts of the volumes to be replaced. Check the wiring diagram and be careful not to solder the wrong wires. (See PHOTO 10. 1 l)
- ⑪ Heat the heat-shrinkable tubes with the industrial dryer and weld so that the heat-shrinkable tube covers the welding area. (See PHOTO 10. 1 m)

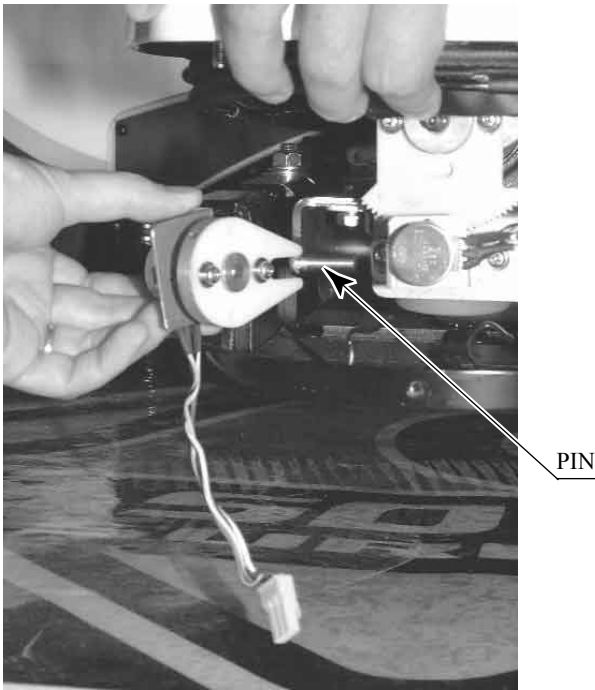


PHOTO 10. 3 e

- ⑫ Attach the PITCH VR unit so that the pin is inserted into the VR guide notch. Connect the connectors and secure the wiring with the two harness lugs.

- ⑬ Turn on the power and perform calibration in TEST MODE. (Refer to 9-3 E.)
At this time, be especially careful that the VR guide rotates smoothly in line with operation and that the interior constituent parts will not damage the wiring.
- ⑭ Check the volume values. Be sure to confirm that they are within the recommended value range and that they change smoothly in line with operation. (Refer to 9-3 B.)
- ⑮ Attach the bellows sashes and tail lids after checking.

10 - 4 GREASING



- Grease is flammable and must never be close to fire.
- Grease may be apt to be erroneously used or drunk, and must not be placed in a location where children can access.



- Grease does harm to your body if you aspirate it. Do not perform any work related to grease in a location where ventilation is insufficient.
- If grease enters an eye, eye irritation may be caused. Take care to prevent it from entering your eyes (for example, by wearing protective goggles). Should grease enter an eye, rinse it in clean water and have your illness diagnosed by a doctor.
- If grease touches a human skin, skin irritation may be caused. Take care to prevent grease from touching your skin (for example, by wearing protective gloves). Should grease touch your skin, fully wash it using water and soap.



- Be sure to use the designated type of grease. If a non-designated type grease is used, components may break.
- The period for greasing specified herein is a standard. Apply greasing to the specified portions as occasion arises.

Use spray grease once every three months to grease up the gear mesh portion of the constituent parts and the sliding portion of the VR guide.

Use "Grease Mate" (part number 090-0066) for the spray grease.

Refer to 10-1 and 10-2 and make the VR unit visible.

Attach the extension tube to the spray grease nozzle and spray the indicated areas.

SWING VR UNIT



PHOTO 10. 4 a GEAR MESH PORTION, VR GUIDE SLIDING PORTION

ROLL VR UNIT

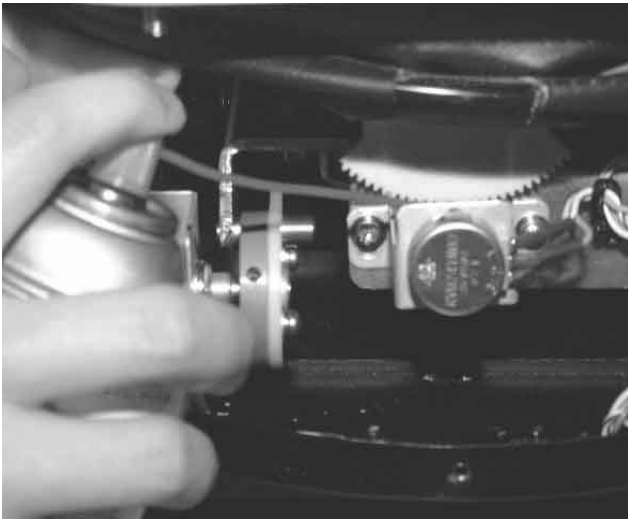


PHOTO 10. 4 b GEAR MESH PORTION

PITCH VR UNIT

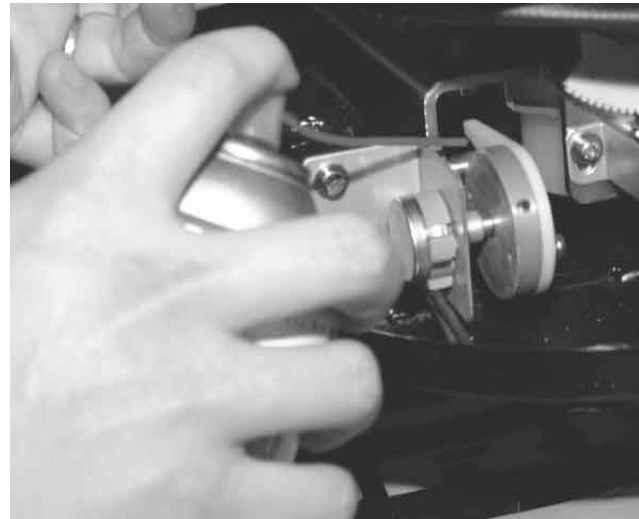


PHOTO 10. 4 c VR GUIDE SLIDING PORTION

GREASING UP THE SWING MECHANISM

The rear cabinet must be moved in order to grease up the SWING mechanism for the surfboard lock. Be sure that there is enough space to move the rear cabinet.

- ① Turn off the power.
- ② Move the rear cabinet to a position where the rear cabinet back door can be removed. Perform the operations in Section 6 3 8 through 14 in reverse and remove the Sensor Mat so as not to damage the Sensor Mat and Sensor Mat wires.
- ③ Lift the rear cabinet adjuster and land the casters. Revolve the ASSY tube part around its center.
- ④ Remove the seven truss screws and remove the back door. It is also acceptable to loosen only two of the seven truss screws.

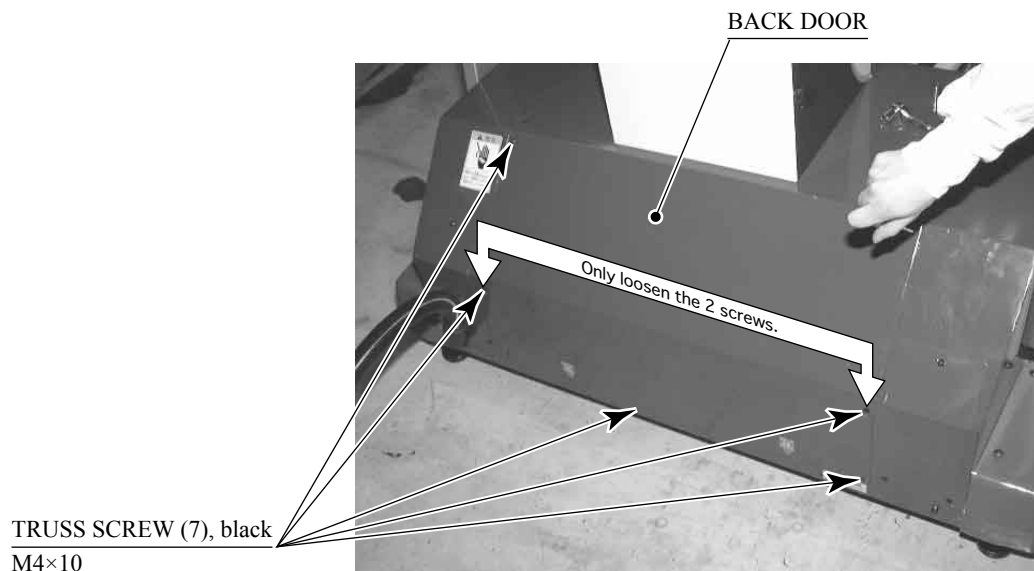


PHOTO 10. 4 d

- ⑤ Attach the extension tube to the spray grease nozzle and spray grease on the gear mesh portion.

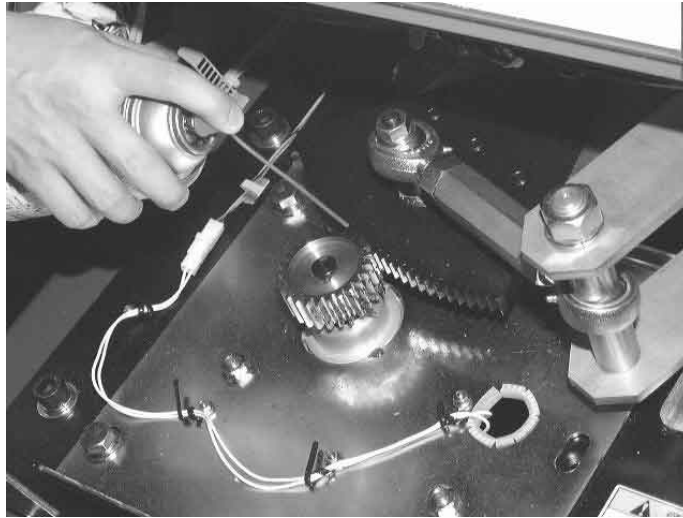


PHOTO 10. 4 e

10 - 5 REPLACING THE BELLOWS



Be sure to replace abnormal hazard preventive parts immediately. Failure to observe this may cause accidents.

The bellows beneath the surfboard is a part essential to the prevention of accidents. Be sure to inspect in before commencing operation and replace it immediately if torn.

The following tools are required for the operations below: an M4 screw Phillips screwdriver, M6 and M8 hexagon-head bolts, and a nut socket wrench or spanner.

PROCEDURE

- ① Turn off the power.
- ② Remove the tail lid from the back surface of the surfboard. (Refer to 10-2, 2 through 4.)

TAIL LID



PHOTO 10. 5 a

- ③ Remove the bellows sashes from the left and right of the surfboard. (Refer to 10-2, 5.)

BELLOWS SASHE



PHOTO 10. 5 b

- ④ Remove the nose lid from the front of the surfboard. Remove the two screws.

SCREW (2), black

M4×8, w/flat & spring washers

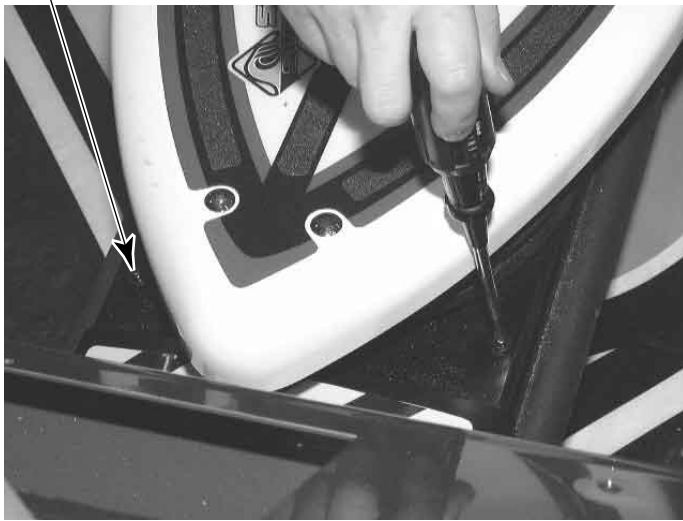


PHOTO 10. 5 c

NOSE LID



PHOTO 10. 5 d

- ⑤ Remove the eight hexagon nuts from the bottom of the surfboard. This is the pairing of the carriage bolts and hexagon nuts other than for the two areas to the front of the surfboard.

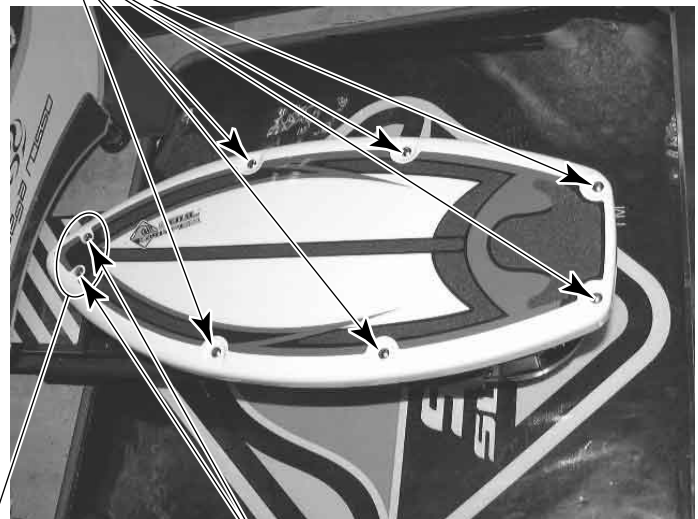
CARRIAGE BOLT (chrome plated) & HEXAGON NUT (6 each)

M6×30, flat washer used.



Tow carriage bolts are fixed to the board cover.

PHOTO 10. 5 e



HEXAGON NUT (2)
M6, flat washer used.

PHOTO 10. 5 f

- ⑥ Remove the surfboard by lifting it straight up.



PHOTO 10. 5 g

- ⑦ Remove each pair of hexagon-head bolts and remove the two board holders.

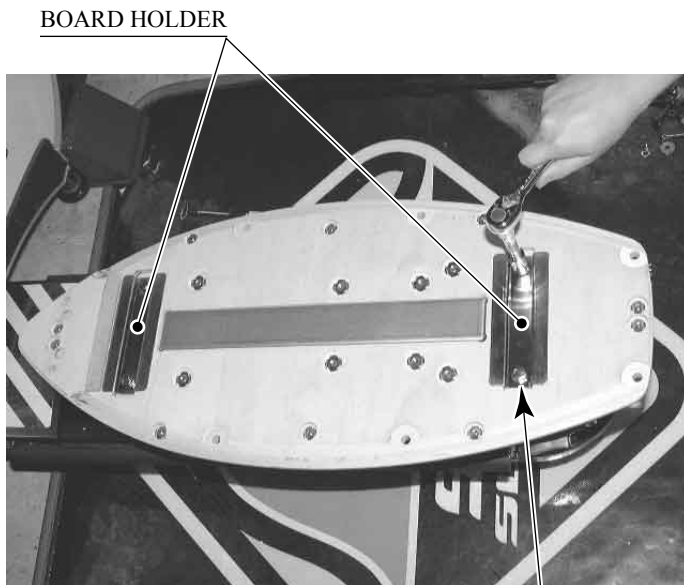


PHOTO 10. 5 h



PHOTO 10. 5 i

HEXAGON-HEAD BOLT (2 each)
M8×30, w/spring washer

- ⑧ Remove the ASSY board from the SWING mechanism. The bellows are attached below the wooden board of the ASSY board.

ASSY BOARD

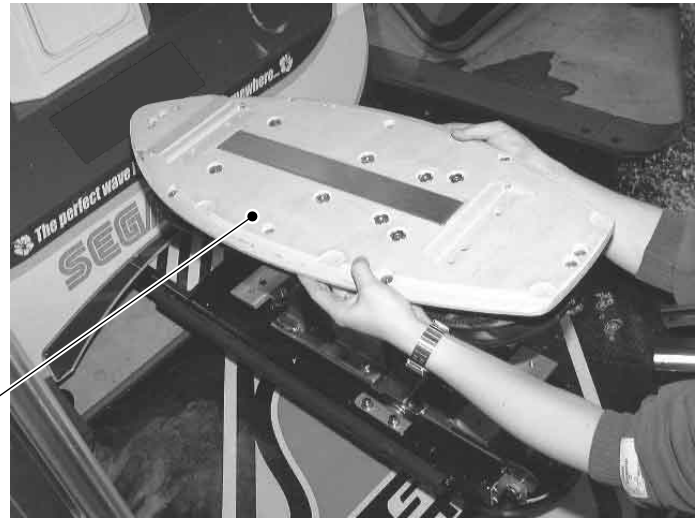


PHOTO 10. 5 j

BELLOWS

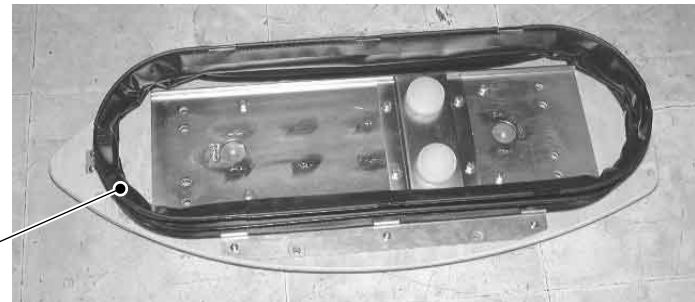


PHOTO 10. 5 k

- ⑨ Remove each set of three screws and remove the left and right bellows holder sides.

SCREW (3 each)
M4×16, w/flat & spring washers

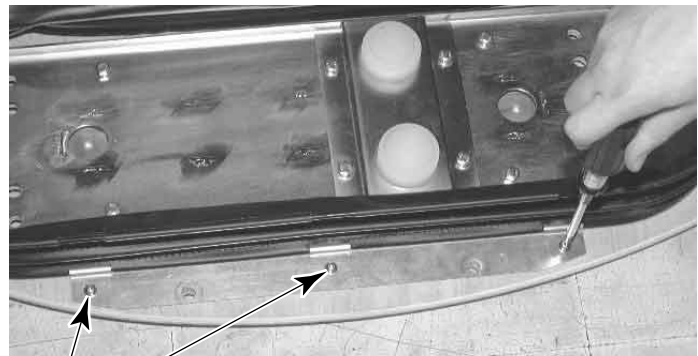


PHOTO 10. 5 l

BELLOWS HOLDER SIDE

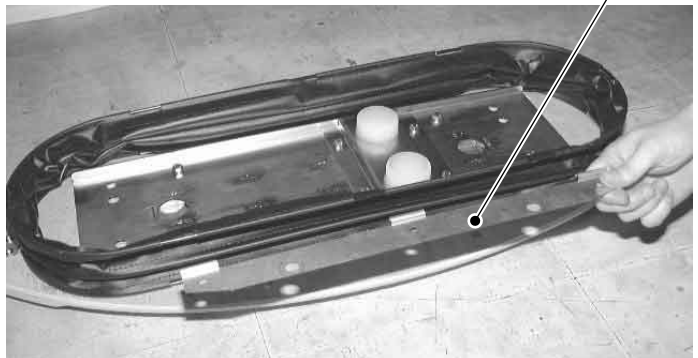


PHOTO 10. 5 m

- ⑩ Remove each pair of screws and remove the front and back bellows holders.

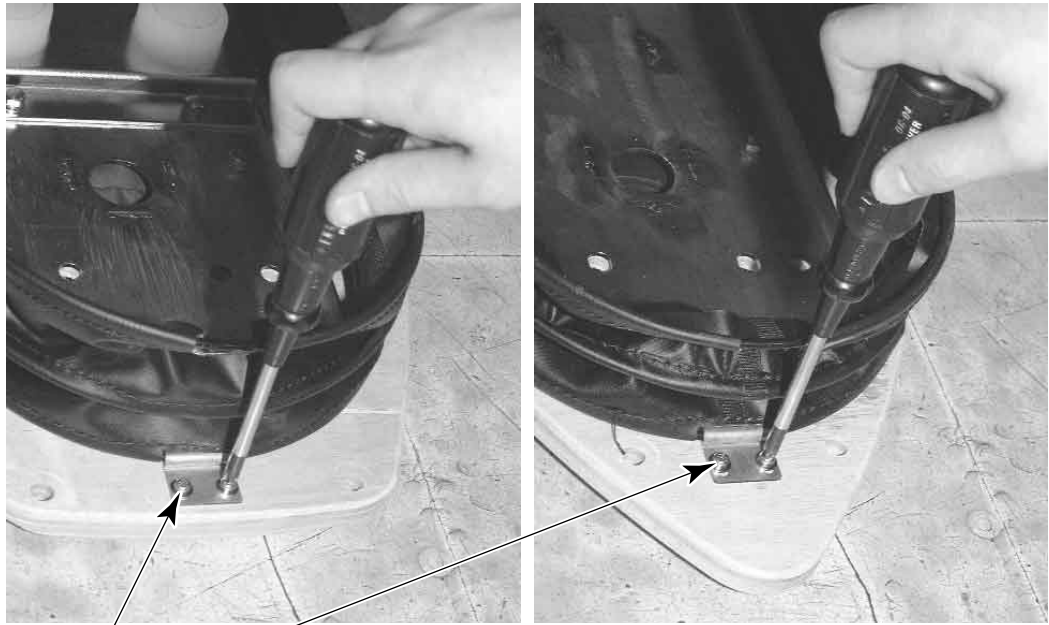
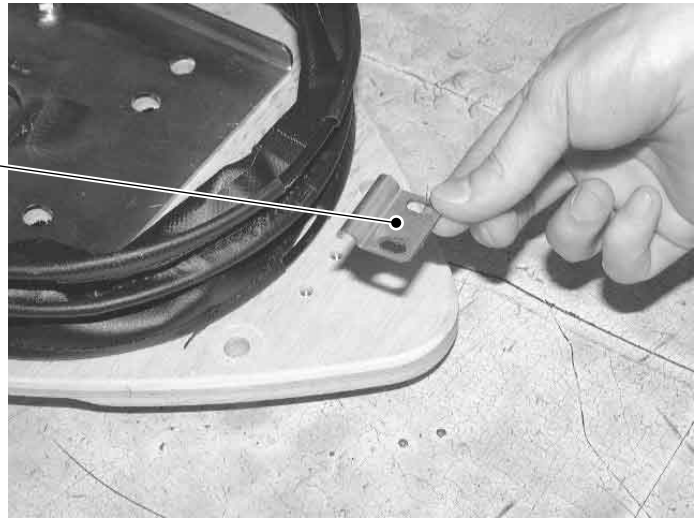


PHOTO 10. 5 n

SCREW (2 each)
M4×16,
w/flat & spring washers

BELLOWS HOLDER



- ⑪ Remove and replace the damaged bellows. Attach the bellows "seam" to the wooden board so that comes to the front. Attach and secure the pair of bellows holder sides and the pair of bellows holders that were removed in the previous steps.

PHOTO 10. 5 o

BELLOWS
SSF-3405



"SEAM"

PHOTO 10. 5 p

11. PROJECTOR



Since the Projector has been adjusted at the time of shipment, avoid making further adjustments without good reason.



The Projector is subject to color deviation due to Convergence deviation caused by the geomagnetism at the installation location and peripheral magnetic field. After the installation of machine, and before commencing operation, check for Convergence deviation and if deviated, make adjustments.

Projector adjustments are stored. Due to distortion or color deviation in the TEST mode, if an adjustment is necessary, use the Remote Control to make adjustments.

11 - 1 CLEANING THE SCREEN



Since the Projector screen is susceptible to damage, pay careful attention to its handling. When cleaning, refrain from using water or volatile chemicals.

When the screen surface becomes dirty with dust, etc., clean it by using a soft cloth such as gauze. When water, and volatile chemicals such as benzine, thinner, etc., spill on the screen surface, it may be subject to damage, therefore, do not use them. Also, since the surfaces are susceptible to damage, refrain from rubbing them with a hard material or using a duster.

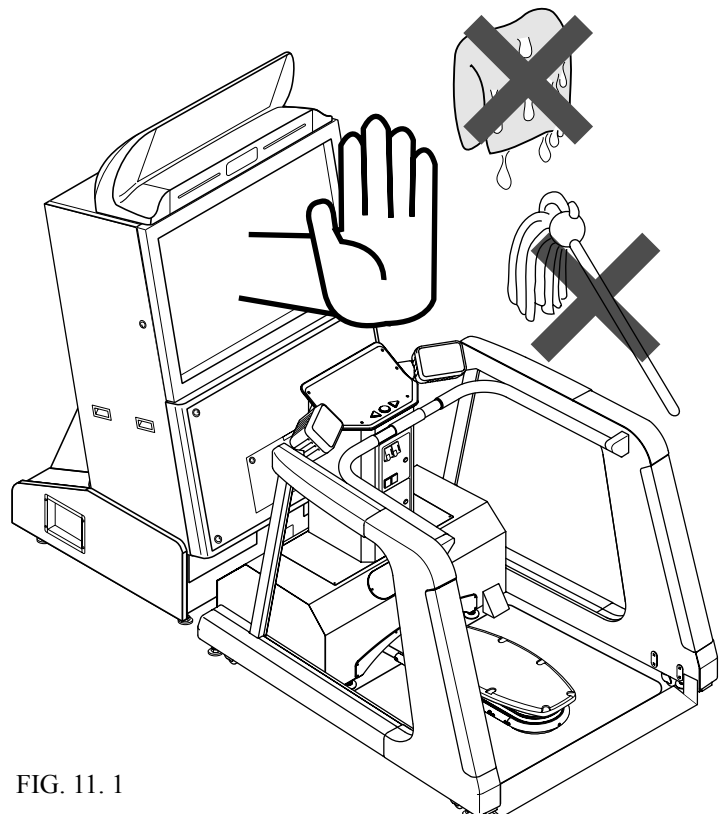


FIG. 11. 1

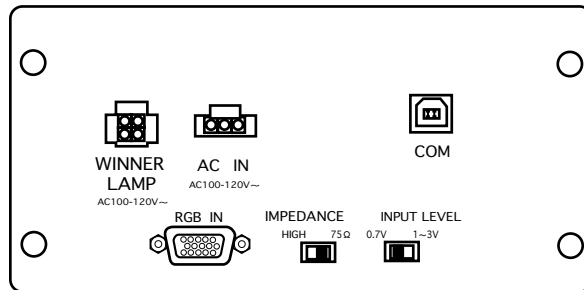
11 - 2 PROJECTOR ADJUSTMENT

SETTING THE INTERFACE



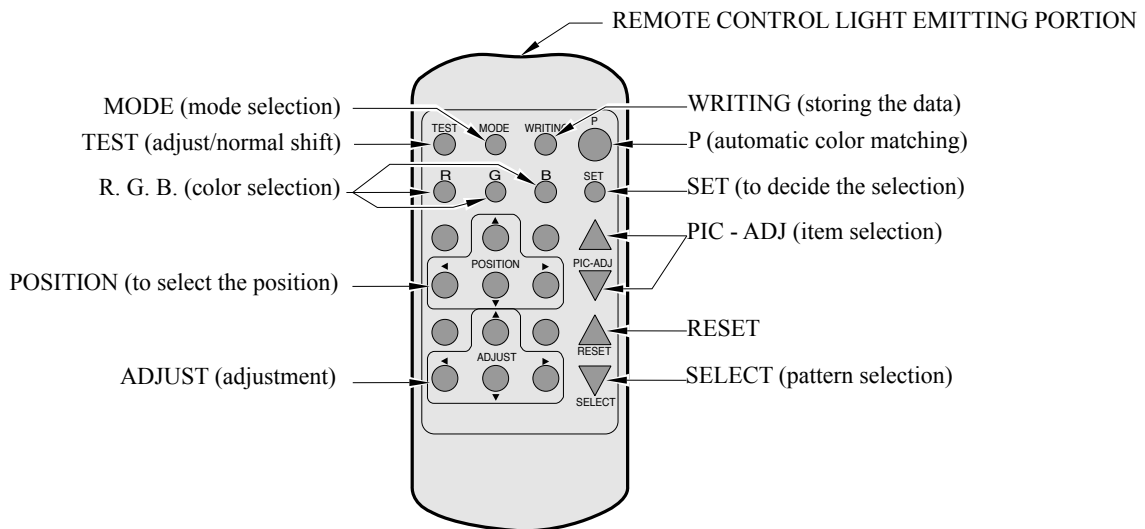
In this product, set to INPUT LEVEL: 0.7V and IMPEDANCE: 75Ω. Failure to observe this can cause CRT membrane to burn or Shutdown device to function resulting in power off.

The Projector's Connector Panel contains the Interface setting SW.



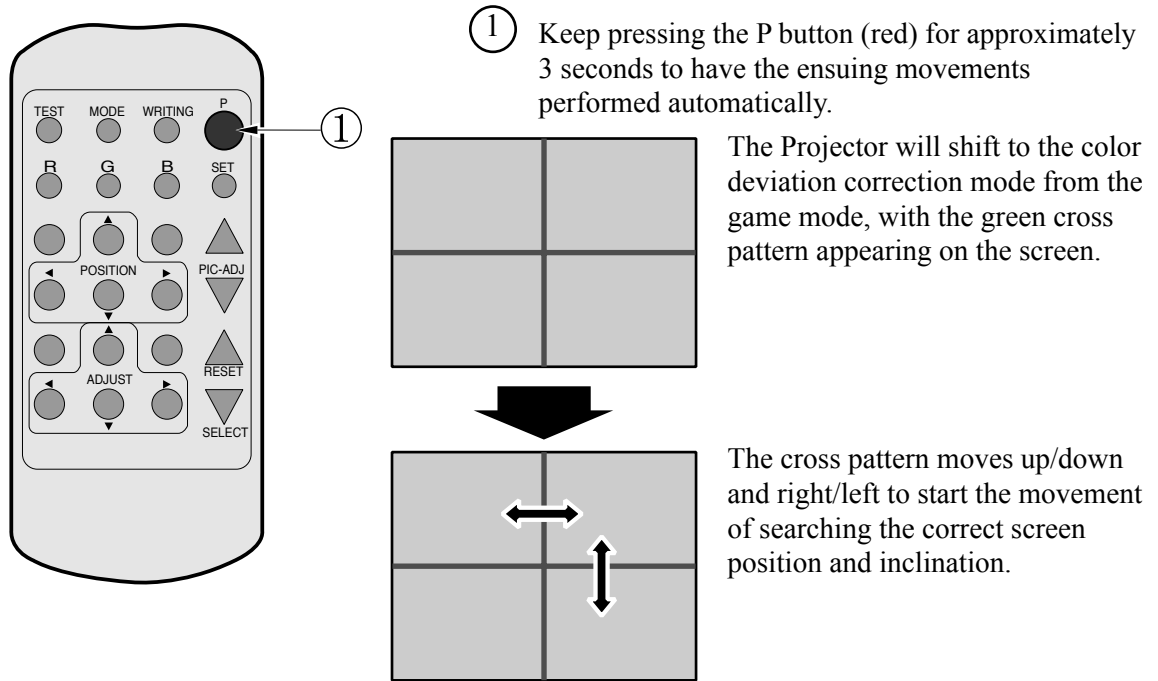
REMOTE CONTROL BUTTONS

When adjusting the Projector, direct the Remote Control's light emitting portion towards the Projector Screen.



AUTOMATIC COLOR MATCHING

The Projector may be subject to color deviations affected by earth magnetism, the building steel frames, etc. When the Projector is initially installed or the Projector's installation position is changed, have the color matching performed automatically.

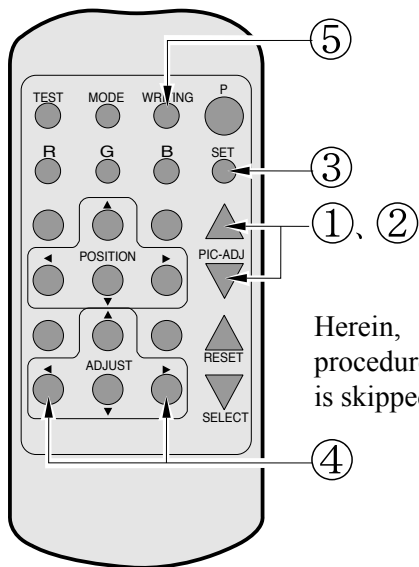


When the green cross pattern movements are finished, similar detection is performed sequentially in order of red and then blue cross movements. After detecting by green, red and blue cross movements, the game mode returns with the color deviation status being corrected.

- Although very rarely, the TRY AGAIN error display in red may appear. At this time, press the P button (red) for approximately 3 seconds. Even after the above operation is repeated, if the error condition still exists, then the display shifts to PLEASE ADJ. In this case, the auto color matching function can not be used. Contact the place of contact herein stated or where the product was purchased from.
- If the automatic color matching indicates an error, color matching can manually be performed. Refer to CONVERGENCE ADJUSTMENT (manual color matching).

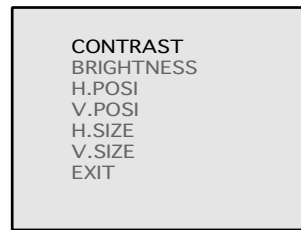
ADJUSTING THE ON-SCREEN CONTRAST

Although the on-screen picture quality has been adjusted at the time of shipment from the factory, the on-screen contrast can be readjusted if desired. When the Game Board is replaced, readjustment may be necessary. Changing the CONTRAST causes the light and shade of the on-screen images to be changed.



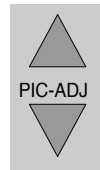
Herein, procedure is skipped.

① Press either ▲ or ▼ PIC - ADJ button.



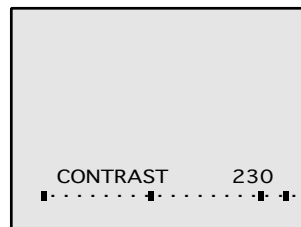
The on-screen menu will have one item in purple and 6 items in white.

② Choose CONTRAST by using either ▲ or ▼ PIC - ADJ button.



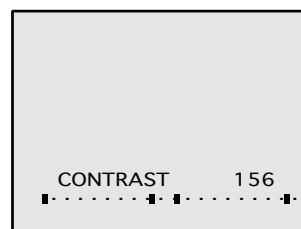
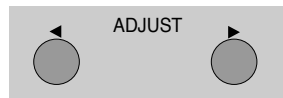
Have CONTRAST displayed in purple. Since CONTRAST is selected initially, no particular operation is required in this case.

③ Press the SET button (to decide selection).



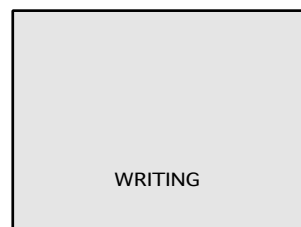
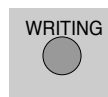
When the selection of the CONTRAST adjustment mode is decided, the adjustment data scale bar appears on the screen.

④ Make adjustment by using either ◀ or ▶ ADJUST button.



As the Cursor is moved, the adjustment data value changes. Make adjustment so as to obtain the desired on-screen contrast status.

⑤ Press the WRITING button (for storing and finish).

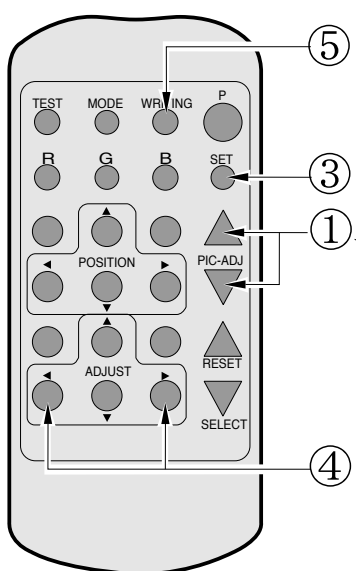


The WRITING display appears and the adjustment data is stored.


- When discontinuing the adjustment, choose EXIT from the menu at the stage of procedure ② and press the SET button.
- To continue adjusting other menu items, repeat procedure ② ~ ④.
- Unless the adjustment data is stored, the data in the adjusted status will be erased at the time the power is turned off and the pre-adjustment status will remain when the power is turned on next time.

ADJUSTING THE SCREEN BRIGHTNESS

Although the on-screen picture quality has been adjusted at the time of shipment from the factory, readjustment can be made if desired. When the Game Board is replaced, readjustment may be necessary. Changing the BRIGHTNESS causes the brightness of the on-screen images of black portions to be changed.




- 1** Press either ▲ or ▼ PIC - ADJ button.



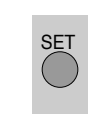
CONTRAST
 BRIGHTNESS
 H.POSI
 V.POSI
 H.SIZE
 V.SIZE
 EXIT

The on-screen menu will have one item in purple and 6 items in white.
- 2** Choose BRIGHTNESS by using either ▲ or ▼ PIC - ADJ button.



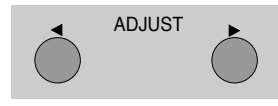
CONTRAST
 BRIGHTNESS
 H.POSI
 V.POSI
 H.SIZE
 V.SIZE
 EXIT

Have the BRIGHTNESS displayed in purple.
- 3** Press the SET button (to decide selection).



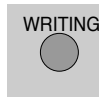
BRIGHTNESS 128
 ■.....■

When the selection of the BRIGHTNESS adjustment mode is decided, the adjustment data scale bar appears on the screen.
- 4** Make adjustment by using either ◀ or ▶ ADJUST button.



BRIGHTNESS 156
 ■.....■

As the Cursor is moved, the adjustment data value changes. Make adjustment so as to obtain the desired on-screen brightness status.
- 5** Press the WRITING button (for storing and finish).



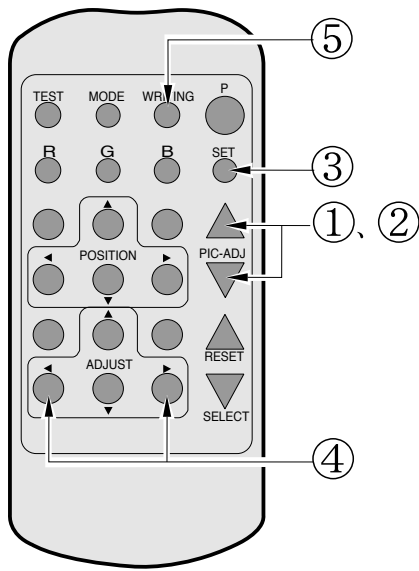
WRITING

The WRITING display appears and the adjustment data is stored.

- When discontinuing the adjustment, choose EXIT from the menu at the stage of procedure (2) and press the SET button.
- To continue adjusting other menu items, repeat procedure (2) ~ (4).
- Unless the adjustment data is stored, the data in the adjusted status will be erased at the time the power is turned off and the pre-adjustment status will remain when the power is turned on next time.

ADJUSTING THE ON-SCREEN DISPLAY POSITION

Although the on-screen display position (H. POSI, V. POSI) has been adjusted at the time of shipment from the factory, readjustment can be made if desired. When the Game Board is replaced, readjustments may be necessary.



① Press either ▲ or ▼ PIC - ADJ button.

The on-screen menu will have one item in purple and 6 items in white.

```

CONTRAST
BRIGHTNESS
H.POSI
V.POSI
H.SIZE
V.SIZE
EXIT
    
```

② Choose H. POSI or V. POSI by using either ▲ or ▼ PIC ADJ button.

Have the H. POSI or V. POSI displayed in purple. The Figure shows the status in which H. POSI is selected.

```

CONTRAST
BRIGHTNESS
H.POSI
V.POSI
H.SIZE
V.SIZE
EXIT
    
```

③ Press the SET button (to decide selection).

When the selection of the H. POSI or V. POSI is decided, the adjustment data scale bar appears on the screen.

```

H.POSI 128
┌-----┴-----┐
└-----┬-----┘
    
```

④ Make adjustment by using either ◀ or ▶ ADJUST button.

As the Cursor is moved, the adjustment data value changes. Make adjustment so as to obtain the desired on-screen position status.

```

H.POSI 156
┌-----┴-----┐
└-----┬-----┘
    
```

When making adjustments in vertical directions, also use either ◀ or ▶ ADJUST button.

⑤ Press the WRITING button (for storing and finish).

The WRITING display appears and the adjustment data is stored.

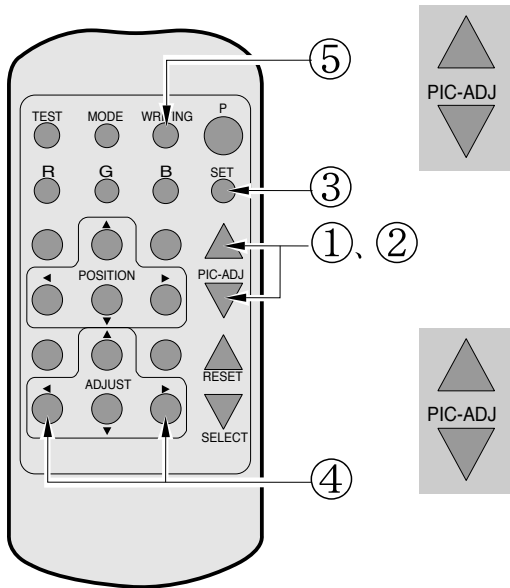
```

WRITING
    
```

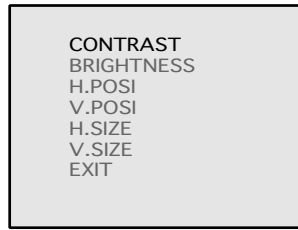
- When discontinuing the adjustment, choose EXIT from the menu at the stage of procedure ② and press the SET button.
- To continue adjusting other menu items, repeat procedure ②~④ .
- Unless the adjustment data is stored, the data in the adjusted status will be erased at the time the power is turned off and the pre-adjustment status will remain when the power is turned on next time.

ADJUSTING THE SCREEN SIZE

Although the on-screen size (H. SIZE, V. SIZE) has been adjusted at the time of shipment from the factory, readjustment can be made if desired. When the Game Board is replaced, readjustments may be necessary.

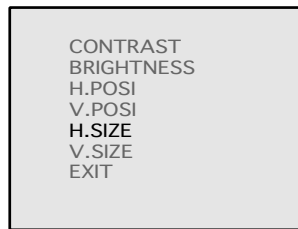


- ① Press either ▲ or ▼ PIC - ADJ button.



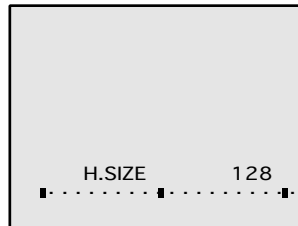
The on-screen menu will have one item in purple and 6 items in white.

- ② Choose H. SIZE or V. SIZE by using either ▲ or ▼ PIC - ADJ button.



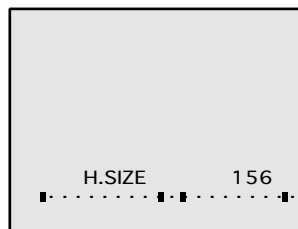
Have the H. SIZE or V. SIZE displayed in purple. The Figure shows the status in which H. SIZE is selected.

- ③ Press the SET button (to decide selection).

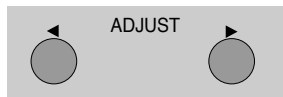


When the selection of the H. SIZE or V. SIZE adjustment mode is decided, the adjustment data scale bar appears on the screen.

- ④ Make adjustment by using either ◀ or ▶ ADJUST button.

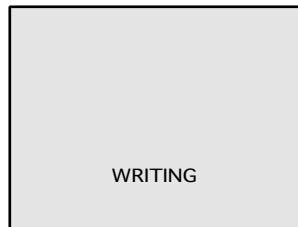


As the Cursor is moved, the adjustment data value changes. Make adjustment so as to obtain the desired on-screen position status.



When making adjustments in vertical directions, also use either ◀ or ▶ button.

- ⑤ Press the WRITING button (for storing and finish).



The WRITING display appears and the adjustment data is stored.

- When discontinuing the adjustment, choose EXIT from the menu at the stage of procedure ② and press the SET button.
- To continue adjusting other menu items, repeat procedure ② ~ ④ .
- Unless the adjustment data is stored, the data in the adjusted status will be erased at the time the power is turned off and the pre-adjustment status will remain when the power is turned on next time.

CONVERGENCE ADJUSTMENT (manual color matching)



To avoid circuitry malfunctioning due to electrical load increase, never utilize CONVERGENCE ADJUSTMENT (Line Convergence Adjustment in particular) for adjusting screen size changes.

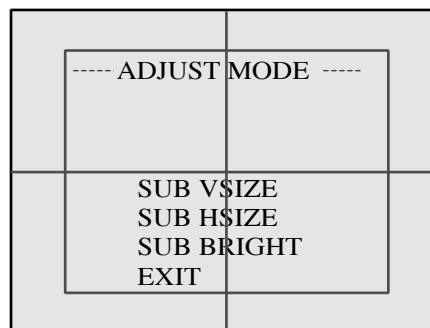
There is no means to restore the Convergence Adjustment data once stored, to its original state. To avoid changing the screen size by erroneously using convergence adjustment, do not perform the green Line Convergence Adjustment.

As such, be sure to perform the adjustment work from this page onward by the Technical staff and the location's Maintenance Personnel who are well versed in such adjustment work. In the Static Convergence Adjustments, if satisfactory adjustments can not be performed, do not make another convergence adjustments inadvertently. Contact the office herein stated or where the product was purchased from.



- To avoid making the adjustment work ineffective, do not press the RESET button during adjustment.
- To discontinue adjustment work, keep pressing the TEST button for approximately 3 seconds at the stage before storing the adjustment data by pressing the WRITING button.
- Should the screen be abnormally disturbed by noise due to static electricity, etc., turn the power off without storing the adjustment data.

- Pressing the ▲ or ▼ PIC - ADJ button in the Convergence Adjustment mode status will display the Adjustment Menu shown right. Do not utilize this Adjustment Menu as this is the one applied at the factory.

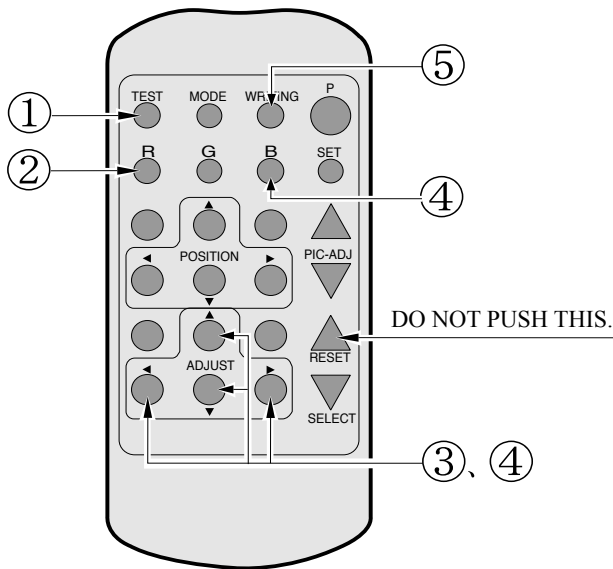


Adjustment menu used in the factory.

- Adjusting this menu causes the Customer's adjustment range to be deviated.
- Should the menu shown right be displayed by mistake, first choose EXIT by using either ▲ or ▼ PIC - ADJ button and then press the SET button.

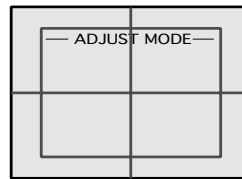
STATIC CONVERGENCE ADJUSTMENT

In the static convergence adjustment, each of red and blue images is comprehensively moved to and superimposed on the green color. If automatic color matching function is not sufficiently satisfactory, perform this adjustment. Be sure to perform automatic color matching before starting the above adjustment.



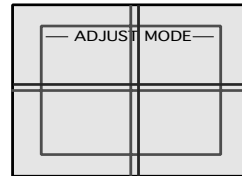
When either of (2) (4) COLOR SELECT buttons (R, B) is pressed, if the color desired to be adjusted disappears, press that particular button again. For example, if the red color needs to be adjusted again at the stage of (4), the R button need to be pressed twice.

- Keep pressing the TEST button for approximately 3 seconds.



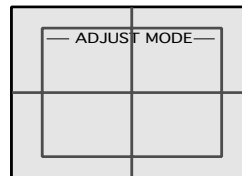
The screen will change to ADJUST mode from the Game mode to cause the green test pattern to be displayed on the screen.

- Press the R button to have the red adjustment mode.



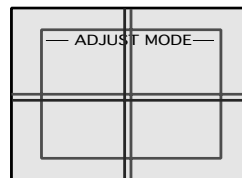
The red test pattern is added to the display. The frame color turns red and this signifies the red adjustment mode.

- Make adjustment by using the ▲ ▼ ◀ ▶ ADJUST buttons.



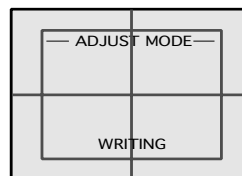
Make adjustment so as to have red superimposed on green. When red is superimposed on green, the color becomes yellow.

- Press the B button to have the blue adjustment mode.



Similarly as in the case of red, adjust the blue color. When green, red, and blue are superimposed, the color becomes white.

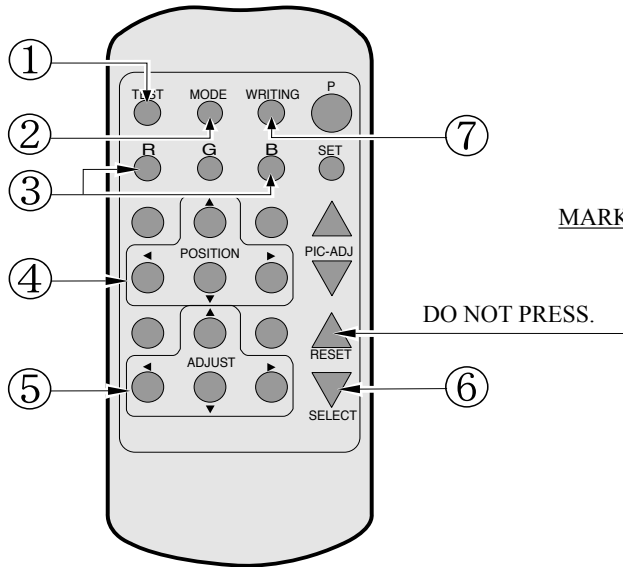
- Press the WRITING button (for storing and finish).



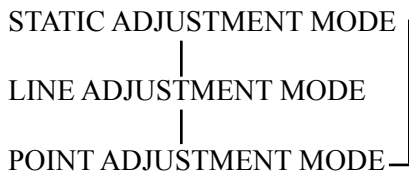
The WRITING display appears and the adjustment data is stored. After the data is stored, the Game mode returns.

POINT CONVERGENCE ADJUSTMENT

In the POINT CONVERGENCE adjustment, each of red, green and blue images is partially moved for color matching. The adjustment may be necessary when the Game Board is replaced or changed, or screen size is changed. Be sure to perform automatic color matching before starting the adjustment.



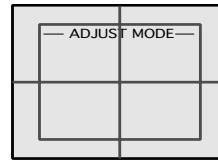
Note 1 When the MODE button is repeatedly pressed, the adjustment modes will circulate as follows:



Note 2 When either of the COLOR SELECT buttons (R, B) is pressed, if the desired color to be adjusted disappears, press that particular button again.

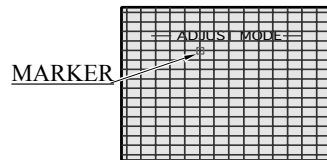
Note 3 By repeatedly pressing the SELECT button, only the Projector's TEST pattern screen and the screen superimposing the Game Board Test pattern can be alternately displayed.

- ① Keep pressing the TEST button for approximately 3 seconds.



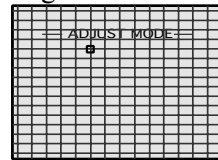
The screen changes to ADJUST mode from the Game mode and displays the green test pattern.

- ② Press the MODE button twice to have the POINT ADJUSTMENT mode. Note 1



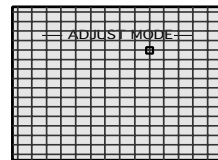
The crosshatch test pattern appears and the MARKER indicating the adjustment point is displayed.

- ③ Using either R or B button, select the desired color to be adjusted. Note 2 By using the G button, the green color can also be selected.



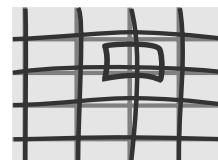
The selected color is displayed by superimposing on green. The MARKER will be in the color selected.

- ④ By using the ▲ ▼ ◀ ▶ ADJUST buttons, move the MARKER to the position to be adjusted.



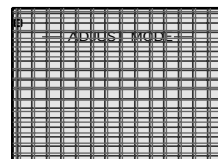
The MARKER moves in the direction of the button's arrow. However, the movable point is predetermined.

- ⑤ Make adjustment by using the ▲ ▼ ◀ ▶ ADJUST buttons.



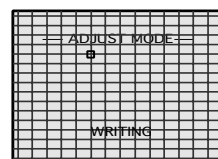
Although the direct vicinity of the MARKER's center moves most conspicuously, make adjustment by paying attention to the periphery area also. Shown left is the magnified MARKER periphery.

- ⑥ Press the SELECT button as necessary to superimpose Game Board images. Note 3



If the test pattern is not displayed in the periphery of the screen, adjustments can be made by pressing the SELECT button to superimpose the test pattern and the Game Board's CRT test screen.

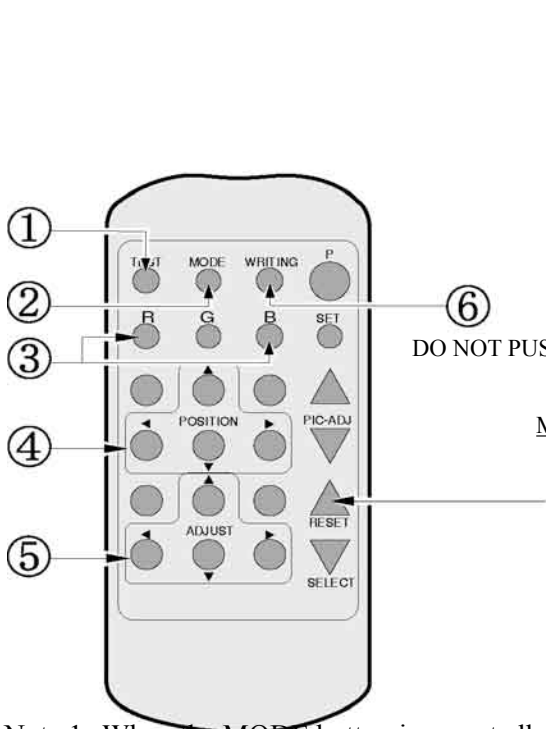
- ⑦ Press the WRITING button (for storing and finish).



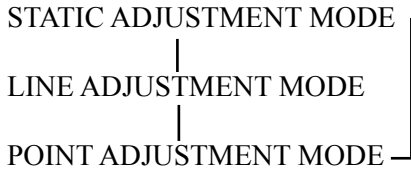
WRITING is displayed and the adjustment data is stored. After the data is stored, the Game Board screen returns.

LINE CONVERGENCE ADJUSTMENT

In the LINE CONVERGENCE ADJUSTMENT, the adjustment point of the column line (vertical) or row line (horizontal) is comprehensively moved for color matching. It is convenient to utilize this adjustment when the color of the column line or row line is uniformly deviated.



Note 1 When the MODE button is repeatedly pressed, the adjustment modes will circulate as follows:



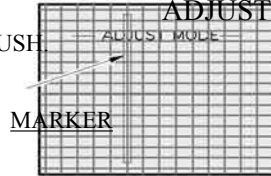
Note 2 When either of the COLOR SELECT buttons (R, B) is pressed, if the desired color to be adjusted disappears, press that particular button again.

① Keep pressing the TEST button for approximately 3 seconds.



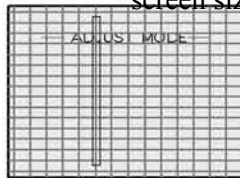
The screen changes to ADJUST mode from the Game Board mode and displays the green test pattern.

② Press the MODE button once to have the POINT ADJUSTMENT mode. Note 1



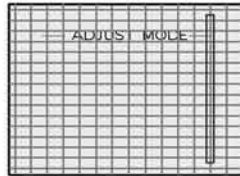
The crosshatch test pattern appears and the vertically long MARKER is shown.

③ Using either R or B button, select the desired color to be adjusted. Note 2 Although the green color can also be selected by using the G button, to avoid the screen size change adjustment, do not choose green.

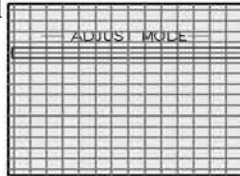


The selected color is displayed by superimposing on green. The MARKER will be in the color selected.

④ By using the ▲ ▼ ◀ ▶ POSITION buttons, move the MARKER to the position to be adjusted.

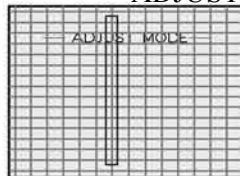


Use the ◀ ▶ buttons to select the column line, and the MARKER moves in the right/left direction. However, the movable range is predetermined.



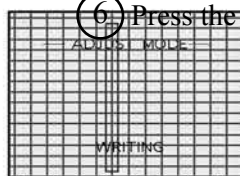
Use the ▲ ▼ buttons to select the row line and the MARKER moves in the up/down direction. However, the movable range is predetermined.

⑤ Make adjustment by using the ▲ ▼ ◀ ▶ ADJUST buttons.



The selected column line or row line (shown left is the column line) can be moved in the desired up/down or right/left directions as applicable.

⑥ Press the WRITING button (for storing and finish).



WRITING is displayed and the adjustment data is stored. After the data is stored, the Game Board screen returns.

12. COIN SELECTOR

HANDLING THE COIN JAM

If the coin is not rejected when the REJECT button is pressed, open the coin chute door and open the selector gate. After removing the jammed coin, put a normal coin in and check to see that the selector correctly functions.

CLEANING THE COIN SELECTOR



- Remove and clean smears by using a soft cloth dipped in water or diluted chemical detergent and then squeezed dry.
- Never apply machine oil, etc. to the Coin Selector.
- After cleaning the Coin Selector, insert a regular coin in the normal working status and ensure that the Selector correctly functions.

The coin selector should be cleaned once every 3 months. When cleaning, follow the procedure below:

- ① Turn the power for the machine OFF. Open the coin chute door.
- ② Open the gate and dust off by using a soft brush (made of wool, etc.).
- ③ Remove and clean smears by using a soft cloth dipped in water or diluted chemical detergent and then squeezed dry.
- ④ Remove the CRADLE.
When removing the retaining ring (E ring), be very careful so as not to bend the rotary shaft.
- ⑤ Remove stain from the rotary shaft and shaft receiving portions by wiping off with a soft cloth, etc.
- ⑥ After wiping off as per ⑤ above, further apply a dry cloth, etc. to cause the coin selector to dry completely.

COIN INSERTION TEST

Once every month, when performing the Coin SW Test, simultaneously check the following:

- Does the Coin Meter count satisfactorily?
- Does the coin drop into the Cashbox correctly?
- Is the coin rejected when inserted while keeping the Reject Button pressed down?

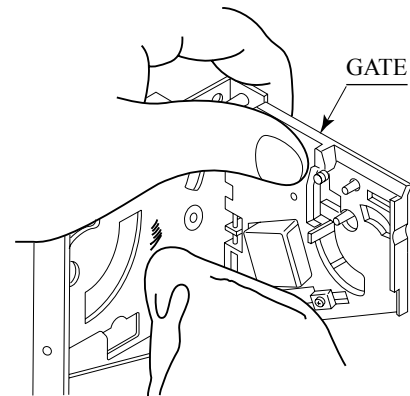


FIG. 12 a

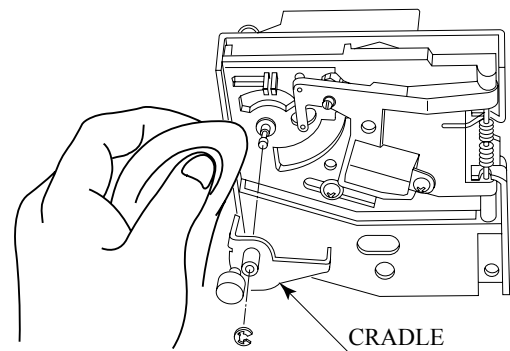


FIG. 12 b

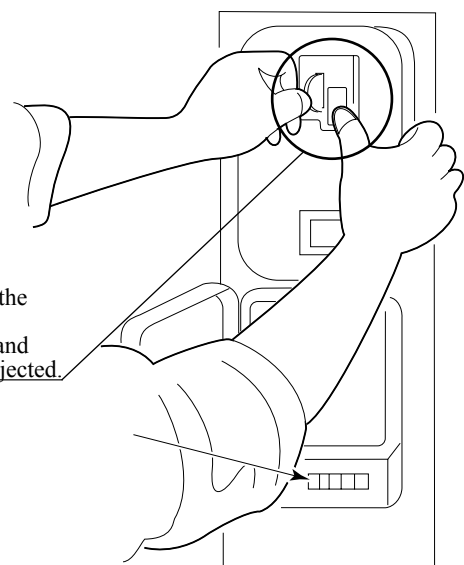
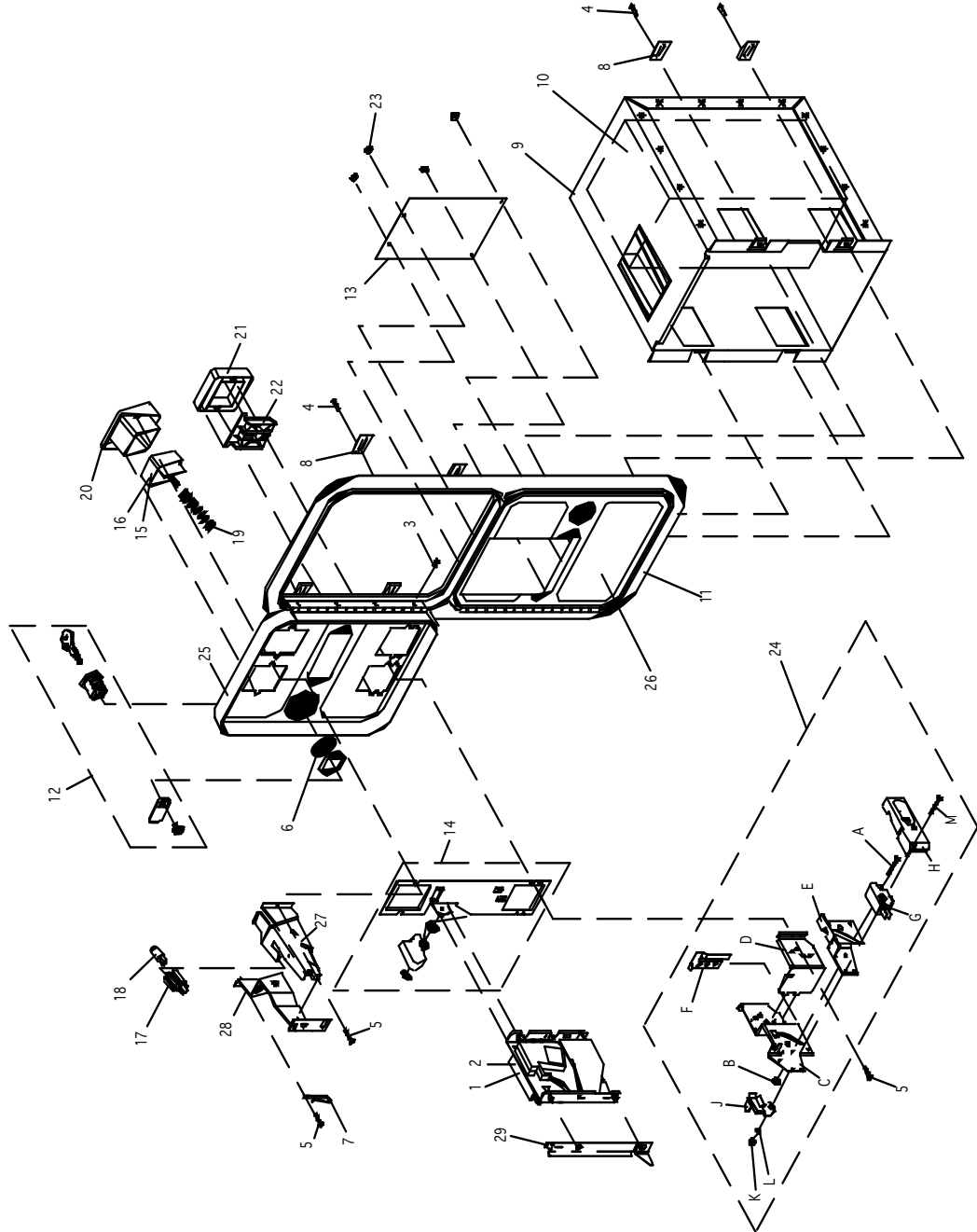


FIG. 12 c

WELLS-GARDNER
ELECTRONICS CORPORATION
2701 N. KILDARE CHICAGO, IL 60639
1-800-336-6630

WWW.WGEC.COM

WGD15-2110-01
OVER/UNDER MINI DOOR
2 ENTRIES WITH BILL
VALIDATOR BOTTOM DOOR
& SPECIAL ENCLOSURE



#	W.G. PART#	DESCRIPTION
1	812-4150-011	S-7 US 25c COIN MECH LEFT
2	812-4050-011	S-10 US \$1 COIN MECH RIGHT
3	890-1002-000	HINGE SCREW
4	890-1003-000	CLAMP SCREW
5	890-1017-000	SCREW TRILOBULAR
6	890-1019-000	WASHER INTERNAL TOOTH 3/4"
7	890-1300-000	KEYHOOK
8	891-0514-000	CLAMP LK 5/8" CABINET
9	025X3711-001	ENCLOSURE W/CHUTE
10	025X3712-001	METAL CASHBOX
11	891-0509-162	DOUBLE FRAME
12	891-0547-000	LOCK SINGLE BIT
13	891-0100-4016	COVER PLATE
14	891-1008-107	BASE PLATE ASSEMBLY
15	891-1113-003	E/R BUTTON US 4x25c/\$1 LEFT
16	891-1113-011	E/R BUTTON US \$1 COIN RIGHT
17	891-1117-000	LAMP HOLDER
18	891-1118-000	LAMP WEDGE BASE 6 VOLT
19	891-1121-000	SPRING, E/R BUTTON
20	891-1311-116	BUTTON BEZEL, NYLON
21	891-1312-116	REJECT BEZEL, NYLON
22	891-1109-116	REJECT FLAP
23	020X1877-005	NUTKERS #8-32 X 5/16 HEX
24	891-2216-116	MICROSWITCH ASSEMBLY
24A	890-1007-000	SCREW, FLAT HEAD W/S
24B	890-1206-002	KEP NUT
24C	891-1105-001	REJECT CUP SIDE PLATE
24D	891-1106-000	REJECT CUP BASE PLATE
24E	891-1107-000	BRACKET, MICROSWITCH
24F	891-1110-000	ADJUSTER, COIN
24G	891-1116-116	MICROSWITCH, BLACK - MED.
24H	891-1125-000	COVER, PLASTIC
24J	892-1002-007	CLIP, SNAP-ON
24K	892-1002-008	ELASTIC SNAP NUT
24L	892-1002-009	SLEEVE, SNAP-ON
24M	892-1002-111	SCREW, PAN HEAD
25	891-0604-116	MINI DOOR 2 ENTRIES
26	891-0614-116	MINI DOOR W/OBV C/O
27	892-1002-001	BRACKET, LAMP SIDE
28	892-1002-021	BRACKET, COVERSIDE
29	892-1002-110	BRACKET, HOLD DOWN

Tom Happ
 tom.happ@happcontrols.com
 Happ Controls
 106 Garlisch Drive
 Elk Grove, IL. 60007
 Ph. 847-593-6161 ext. 107
 Fx. 847-956-2091

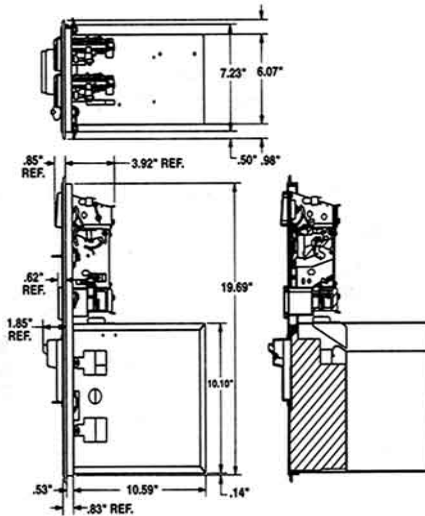
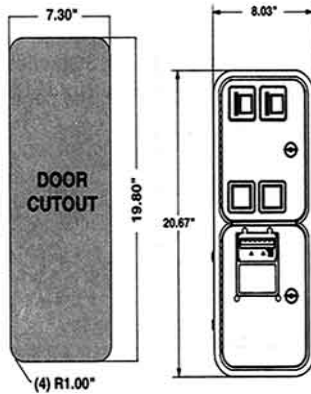
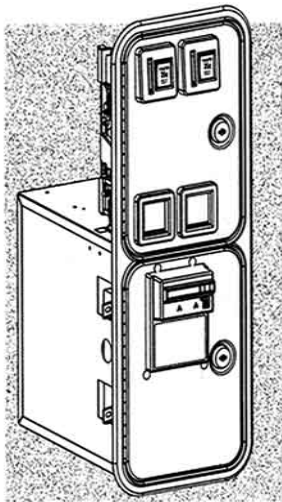
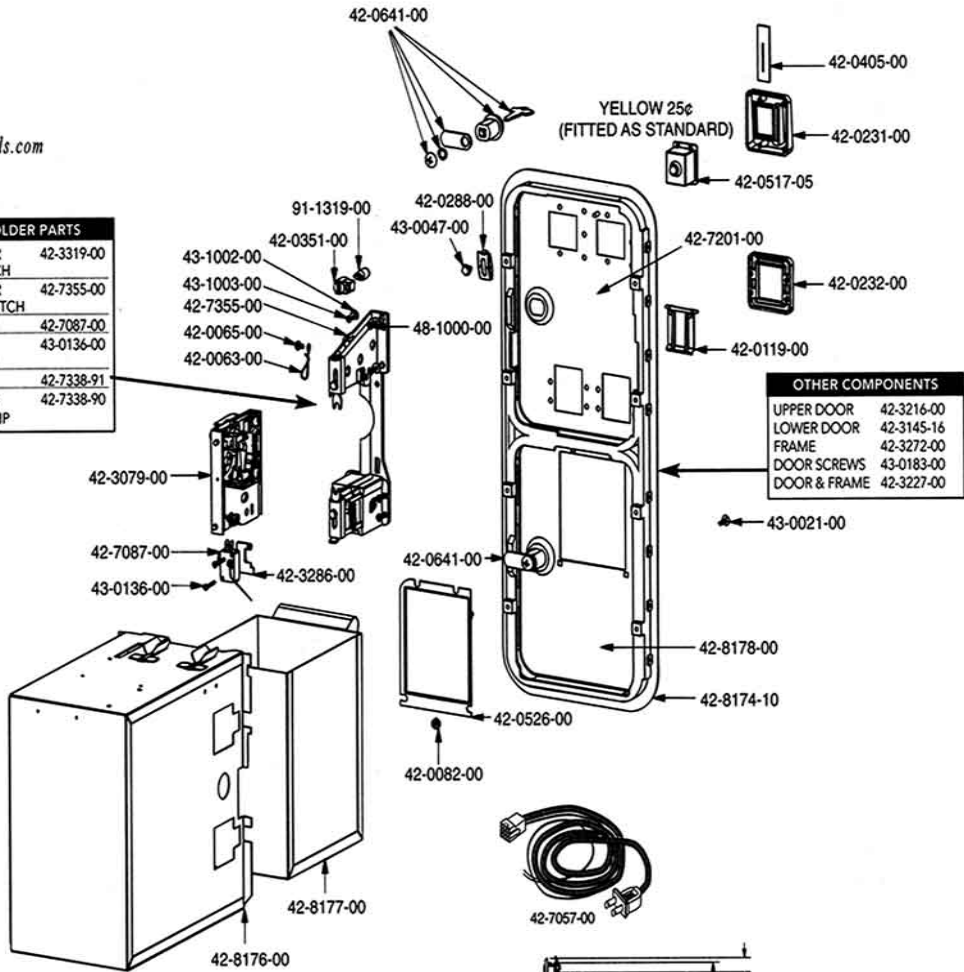
Visit our website <http://www.happcontrols.com>

EXCLUSIVE!

Custom
 "Guardian"
 Security Hasp
 available
 to protect your
 dollars,

GUARDIAN

MECH HOLDER PARTS	
MECH HOLDER W/COIN SWITCH	42-3319-00
MECH HOLDER W/O COIN SWITCH	42-7355-00
COIN SWITCH	42-7087-00
SCREW FOR COIN SWITCH	43-0136-00
METAL CLIP FOR METAL CLIP	42-7338-91
THUMBSCREW	42-7338-90



OPTIONAL DOLLAR BILL ACCEPTOR

- THE COIN DOOR ASSEMBLY USED ON **SOUL SURFER** COMES EQUIPPED TO ACCEPT A DOLLAR BILL ACCEPTOR. ALL NEEDED WIRING CONNECTIONS ARE CONVENIENTLY LOCATED INSIDE THE GAME FOR THIS APPLICATION.
- THE COIN DOOR CAN ACCOMMODATE THE FOLLOWING VALIDATOR(S):

FORWARD-MOST
HOLE POSITION

Mars 2000 series

**42-1155-00

MARS VALIDATOR \$1, 2, 5 300 CAP

The frame and cashbox enclosure on this coindoor has been modified to accommodate a Mars 2000 series upstacker. A 2000 series stacker can be added by simply removing the cut-out plate. This one entry door can be ordered through Happ Controls or one of Happ Controls authorized distributors. The part number is 40-6000-10EX. The Mars stacker can be obtained through an authorized Mars distributor.

Note: Your game may have either Happ Controls Coin Door Assembly or the Wells Gardner Coin Door Assembly (not shown).

**Happ part number

Security Locking Bar/Bracket Set Part No.# 999-0966

Modified Cash Box (For use when DBA installed)

Part No. # 999-1106

Plastic Cash Box - Full Size Part No. # 999-1177

13. REPLACING THE FLUORESCENT LAMP, AND LAMPS



- When performing work, be sure to turn power off. Working with power on can cause electric shock and short circuit hazards.
- The Fluorescent Lamp, when it gets hot, can cause burn. Be very careful when replacing the Fluorescent Lamp.
- Be sure to use lamps of the designated rating. Using lamps of undesignated rating can cause a fire or malfunctioning.



- To perform work safely and securely, be sure to prepare a step which is in a secure and stable condition. Performing work without using the step can cause violent falling down accidents.
- Be careful when handling the plastic made parts. Failure to observe this may cause injury due to damage or fragments resulting from damage.



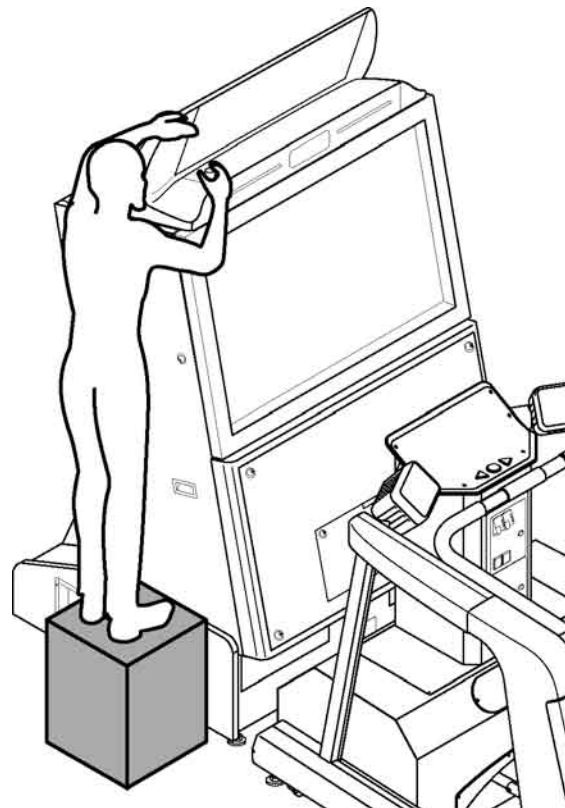
When replacing the fluorescent lamps, it is recommended to replace the glow bulb as well.

BILLBOARD FLUORESCENT LAMP

- ① Turn off the power.
- ② Use a step for the following work.
Using a short flat-tipped screwdriver, remove the 2 truss screws securing the Billboard Plate.



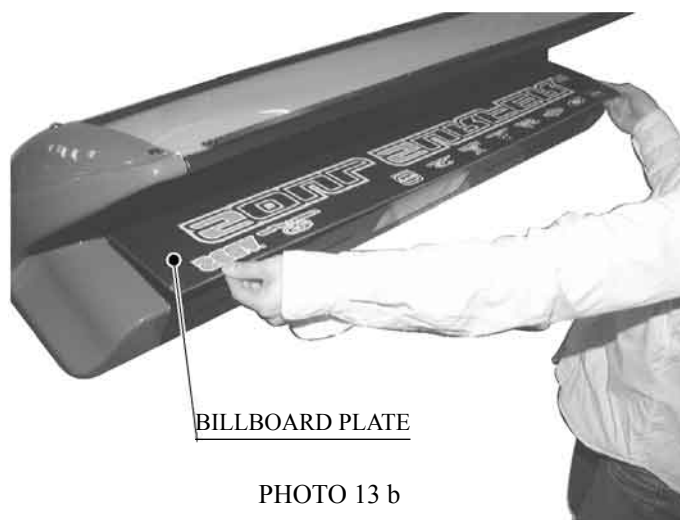
PHOTO 13 a



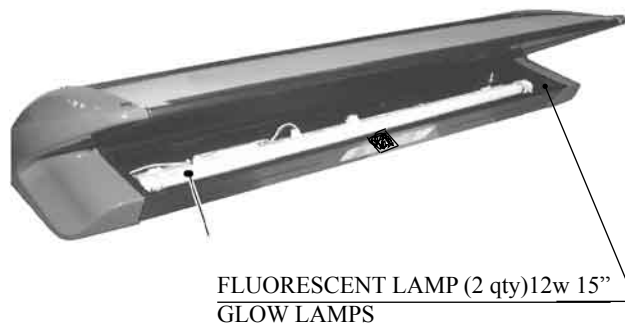
When performing work, prepare a step.

FIG. 13 a

- 3 Draw out the Billboard Plate toward you.



- 4 Replace the fluorescent lamps.



START BUTTON LAMP

- 1 Turn off the power.
- 2 Remove the 6 truss screws securing the Control Panel Plate.

TRUSS SCREW (4)
M4×16,chrome plated

TRUSS SCREW (2)
M4×16,chrome plated,
flat washer used.



- ③ Remove the Control Panel Plate. The Control Panel Plate contains wiring connections. Remove this panel, taking care not to damage the wiring.

CONTROL PANEL PLATE

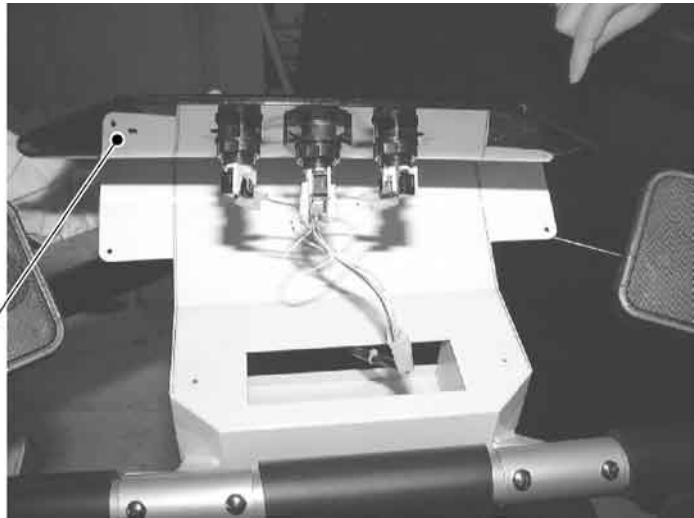


PHOTO 13 e

- ④ Hold both sides of the switch portion with fingers and pull out from the button's base portion. At this time, be careful so as not to damage the wiring connected to the switch.
- ⑤ The lamp is positioned at the end of the switch portion. Pull out the lamp straight without turning it.

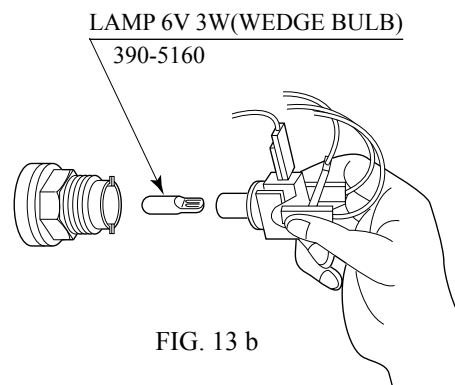
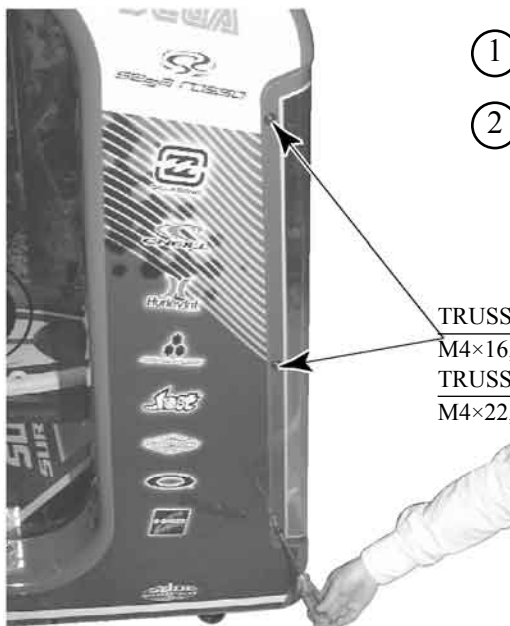


FIG. 13 b

REAR CABINET LIGHT ROPE ASSEMBLY

There are two pairs of cold-cathode tubes at the lamp units to the left and right of the rear cabinet inside wall.

The lamp units must be removed when replacing the cold-cathode tubes.



- ① Turn off the power.
- ② Remove the lamp covers from the sides where the Light Rope will be replaced. Remove the truss screws (six in all) from the left and right sides of the wall. Remove the truss screws (ten in all) from the side walls.

TRUSS SCREW (3), black <Outside>
M4×16, flat washer used.

TRUSS SCREW (3), black <Inside>
M4×22, flat washer used.

PHOTO 13 f

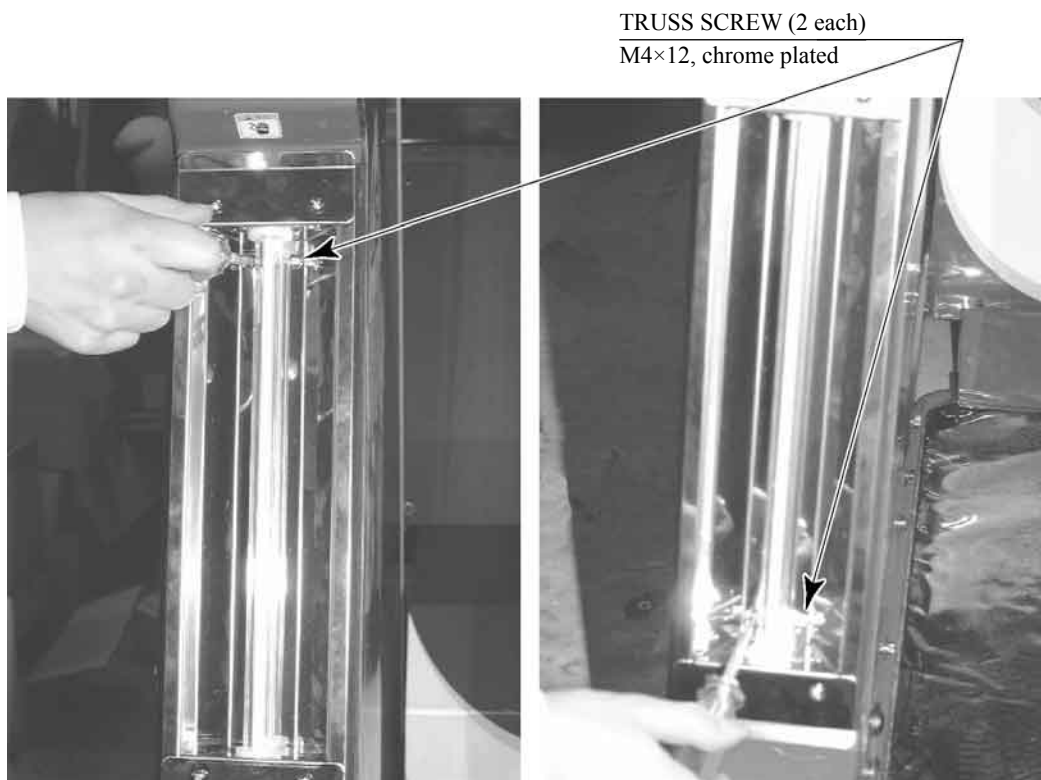
- ③ Be careful of the strength and direction of cover removal when removing the lamp covers from the wall. Removing the lamp covers without care may damage them.



LAMP COVER

PHOTO 13 g *

- ④ Remove the truss screws (four in all) that secure the lamp units. There is one pair above and another pair below.



TRUSS SCREW (2 each)
M4x12, chrome plated

PHOTO 13 h *

* LIGHTS IN PHOTO DIFFER FROM ACTUAL GAME

- ⑤ Remove the lamp units from the wall. There are wiring connections to the interior, so be careful. Bring the lamp units down slowly until the two connectors can be seen. Remove the connectors.

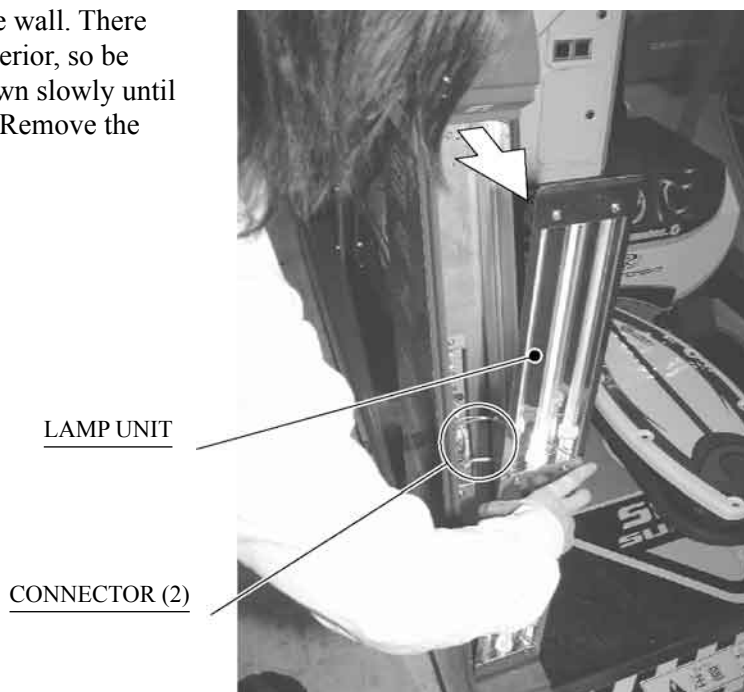


PHOTO 13 i *

- ⑥ Remove tube holder B from the center of the lamp units. Remove the four truss screws.

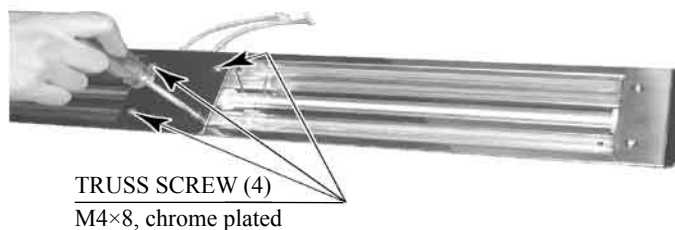


PHOTO 13 j *

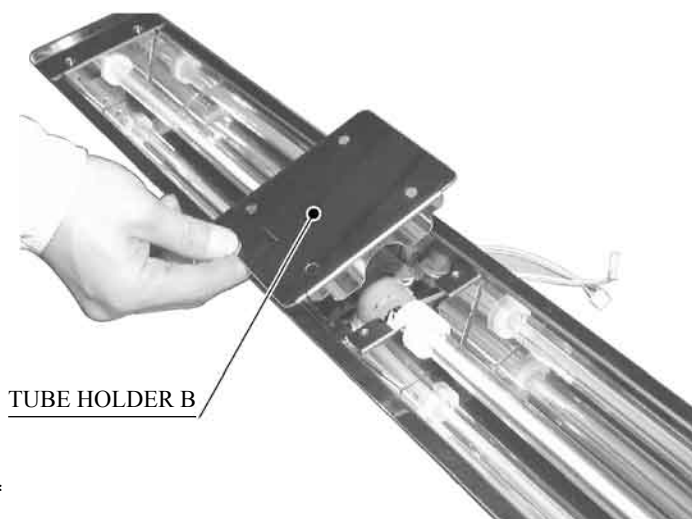
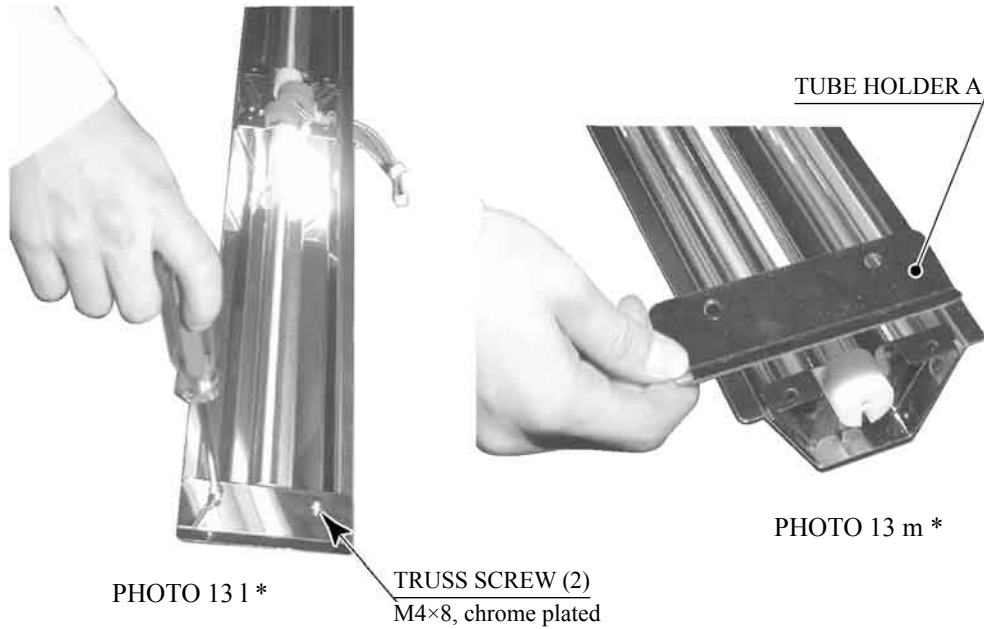


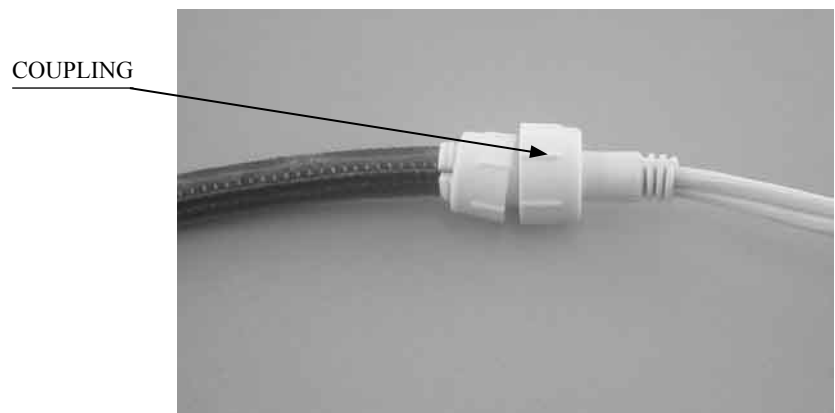
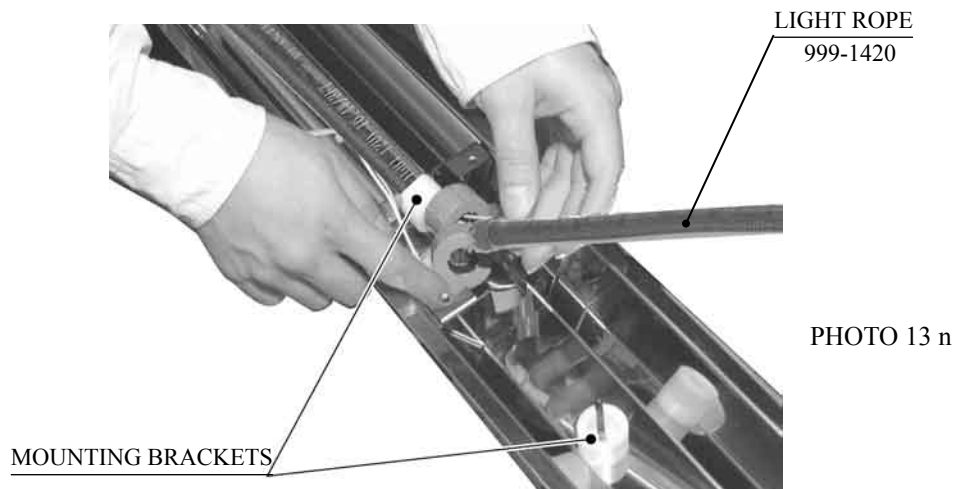
PHOTO 13 k *

* LIGHTS IN PHOTO DIFFER FROM ACTUAL GAME

- 7 Remove tube holder A from the side of the Light Rope to be replaced. Remove the two truss screws. Then remove the upper bracket of the Light Rope to be replace and the lower bracket.



- 8 The Light Ropes are located to the interior of the lamp unit such that both sides slot in to the plastic lamp holders. Disconnect the Light Rope Connectors by turning the large coupling counter clockwise. Remove the Light Ropes from the lamp units, remove the brackets from both edges and replace. The brackets will continue to be used. Slot in both edges of the new Light Rope and attach to the lamp units.



* LIGHTS IN PHOTO DIFFER FROM ACTUAL GAME

LIGHT ROPE SOLID STATE RELAY BD

Any trouble of turning on/off a Light Rope may be due to breakage of the Solid State Relay BD (SSR BD) for the Light Rope as well as the end of the safe useful life or failure of the lamp unit itself. On its backside, the lamp unit is equipped with the SSR BD for the respective Light Rope.

- ⑩ Remove the lamp units following the same procedure used to replace the Light Rope. Remove the Assembly Side Wall Left or Right whichever lights you are replacing. This will expose a cage (SSR BD Cover) which protects the two SSR BD.



PHOTO 13 o

- ⑪ Remove the two screws on top and bottom of the cage. The Two SSR Bds will be seen when the cage is removed. The upper board is for the upper Light Rope and the lower board is for the lower Light Rope.

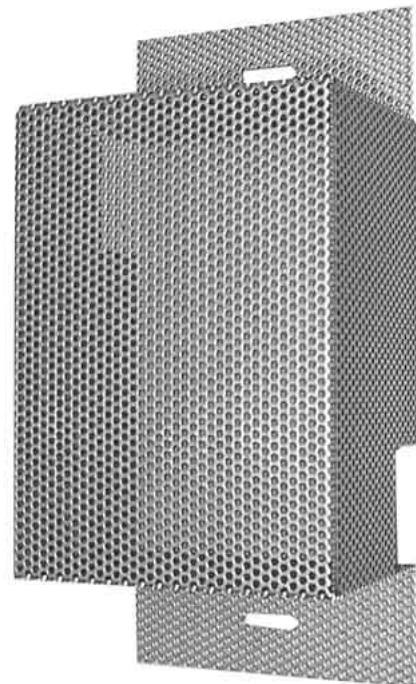


PHOTO 13 p

- ⑫ Disconnect the connectors attached to the SSR Bds.

Relay BD
For Upper Light Rope

Disconnect the connector.

Relay BD
For Lower Light Rope

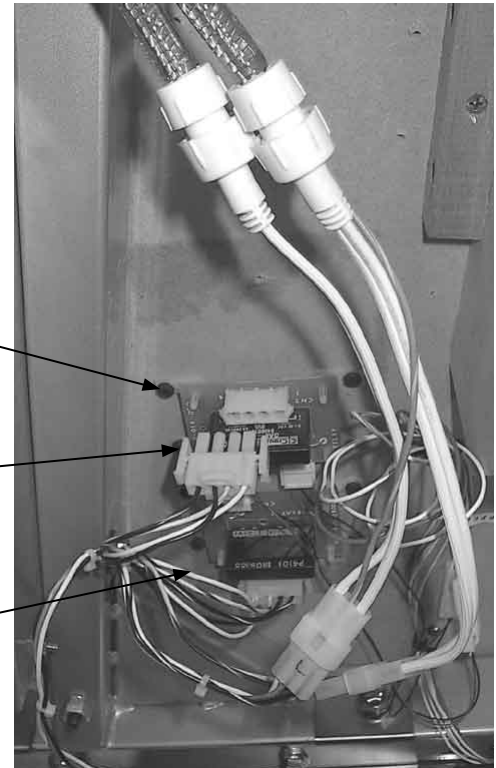


PHOTO 13 q

- ⑬ Remove the four screws that secure each board and replace the board. Then replace the cage (SSR BD Cover) over the two SSR BD.

SCREW (4)

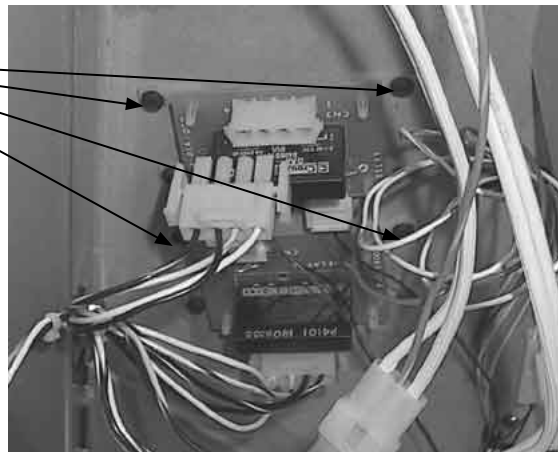


PHOTO 13 r

14. PERIODIC INSPECTION TABLE

The items listed below require periodic check and maintenance to retain the performance of this machine and to ensure safe business operation.



- Be sure to check once a year to see if Power Cords are damaged, the plug is securely inserted, dust is accumulated between the Socket Outlet and the Power Plug, etc. Using the product with dust as is accumulated can cause fire and electric shock hazards.
- Never use a water jet, etc. to clean inside and outside the cabinet. If wetness occurs for any reason, do not use the product until it has completely dried.
- Periodically once a year, request the place of contact herein stated or the Distributor, etc. where the product was purchased from, as regards the internal cleaning. Using the product with dust as is accumulated in the interior without cleaning can cause a fire or accident. Note that cleaning the interior parts can be performed on a pay-basis.

TABLE 14

ITEMS	DESCRIPTION	PERIOD	REFERENCE
CABINET	Check landing of the Adjusters	Before commencing daily operation	3
	Check hazard preventive parts		10-5
SURFBOARD	Check the Volume	Monthly	9, 10-1, 2, 3
	Greasing the gear mesh portion of the volume constituent parts and VR guide sliding portion	Trimonthly	10-4
	Greasing the SWING mechanism	Trimonthly	10-4
	Check the BOARD LOCK	Before commencing daily operation	9-3C
SENSOR MAT	INPUT TEST	Before commencing daily operation	9-3B
PROJECTOR	SCREEN cleaning	Weekly	11
	Check adjustments	Monthly	6, 9, 11
COIN CHUTE DOOR	Coin insertion test	Monthly	12
	Cleaning	Trimonthly	12
GAME BD	MEMORY TEST	Monthly	9
	Setting check		
INTERIOR	Cleaning	Annually	See above
POWER PLUG	Inspection and cleaning		
CABINET SURFACE	Cleaning	As necessary	See below

CLEANING THE CABINET SURFACES

When the cabinet surfaces are badly soiled, remove stains with a soft cloth dipped in water or diluted (with water) chemical detergent and squeezed dry. To avoid damaging surface finish, do not use such solvents as thinner, benzine, etc. other than ethyl alcohol, or abrasives, bleaching agent and chemical dustcloth.

15. TROUBLESHOOTING



- In order to prevent electric shock and short circuit, be sure to turn power off before performing work.
- Be careful so as not to damage wirings. Damaged wiring can cause electric shock or short circuit.
- After removing the cause of the functioning of the Circuit Protector, reinstate the Circuit Protector. Depending on the cause of the functioning, using the Circuit Protector as is without removing the cause can cause generation of heat and fire hazard.

In case a problem occurs, first check wiring connector connections.

TABLE 15 a

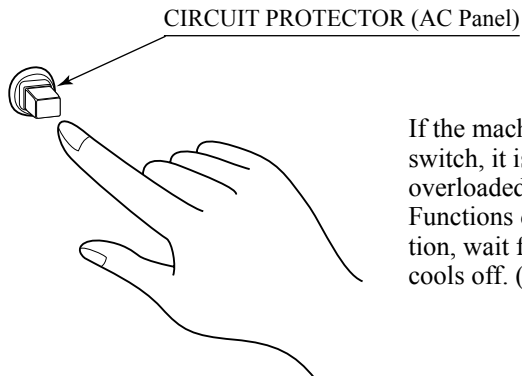
PROBLEMS	CAUSE	COUNTERMEASURES
When the main SW is turned ON, the machine is not activated.	The power is not ON.	Firmly insert the plug into the outlet.
	Incorrect power source/voltage.	Make sure that the power supply/voltage are correct.
	The CIRCUIT PROTECTOR functioned due to momentary overcurrent.	Remove the cause of overload to reset the circuit protector (see Sec. 6 / FIG. 15).
Although sound is emitted, PTV screen is blackened and Fluorescent lamp does not light up.	Poor connection of connector between Front Cabinet and PTV.	Check for connection of 3p white connector (see Sec. 6).
The color on the PTV screen is not correct.	Poor connection of connector between Front Cabinet and PTV.	Check if R. G. B. Connector is correctly connected (see Sec. 6).
	Screen adjustment is not appropriate.	Make adjustment appropriately (see Sec. 11).
PTV screen has a color deviation.	Affected by the periphery, such as other machines, location building's steel frames, etc.	Make convergence adjustments (see Sec. 11). Change installation direction/ position. Move the other machines which cause the problem.
Surfboard operation is unsatisfactory.	Poor V. R. setting.	Perform calibration setting (see Sec. 9).
	V. R. deviation or malfunctioning.	Adjust or replace the V. R. (see Sec. 10).
	Poor mesh of gear.	Adjust gear mesh (see Sec. 10).
Can not be unlocked.	Connection fault of connector between Front & Rear Cabinets.	Accurately connect the connector (see Sec.6).
	Poor connection of connector in the Sensor Mat.	Accurately connect the connector (see Sec.6).
Irregular sound emitted from inside of Rear Cabinet.	Greasing to gear mesh portion is not satisfactory, or extraneous matter mixed in.	Apply greasing or eliminate extraneous matter (see Sec. 10).

TABLE 15 b

PROBLEMS	CAUSE	COUNTERMEASURES
Fluorescent Lamp does not light up.	Poor connection of connector in the Billboard.	Accurately connect the connector (see Sec. 6).
	Fluorescent lamp need replacement.	Replace Fluorescent Lamp (see Sec. 13).
The Cold-Cathode Tube does not blink normally.	Connection fault of connector between Front & Rear Cabinets.	Accurately connect the connector (see Sec. 6).
	Cold-Cathode Tube need replacement.	Replace the Cold-Cathode Tube (see Sec. 13). 390-6697-BL
	Failure of Inverter BD.	Replace the Inverter BD (see Sec. 13). 838-14010-01
Sound is not emitted.	Poor connection of connector between Front Cabinet and Rear Base.	Accurately connect the connector (see Sec. 6).
	Sound volume is incorrect.	Adjust the Sound Volume Adjustment V. R. of the SW Unit (see Sec. 9).

CIRCUIT PROTECTOR

This product employs two circuit protectors. There are located above the AC unit and to the interior of the front cabinet. (Figure 6.4a and Photograph 15)



If the machine fails to power on after switching on the main switch, it is most likely that one of the circuit protectors has been overloaded. Functions due to the activation of bimetal. To restore the function, wait for approximately one minute or longer until the bimetal cools off. (Press the Button.)

FIG. 15

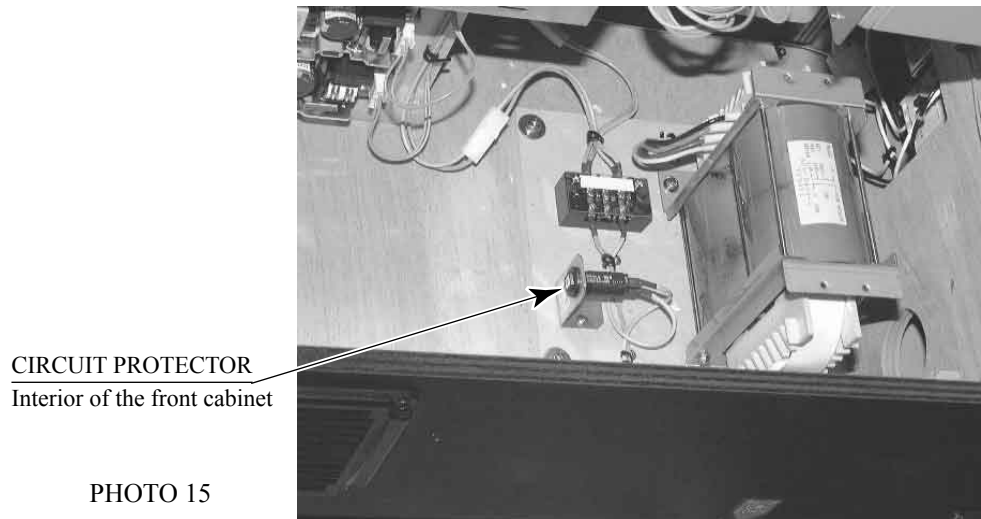


PHOTO 15

16. GAME BOARD



- In order to prevent electric shock and short circuit hazards, be sure to turn power off before performing work.
- Be careful so as not to damage wirings. Damaged wiring can cause fire, electric shock and short circuit hazards.
- Do not expose the Game BD, etc. without a good reason. Failure to observe this can cause electric shock hazard or malfunctioning.



- The electronic parts on the IC Board could be damaged due to human body's static electricity. Before performing IC Board related work, be sure to discharge physically accumulated statics by touching grounded metallic surfaces, etc.
- Removing the screws that secure the game board may cause it to fall and become damaged. Be sure to support the board carefully when removing the securing screws.

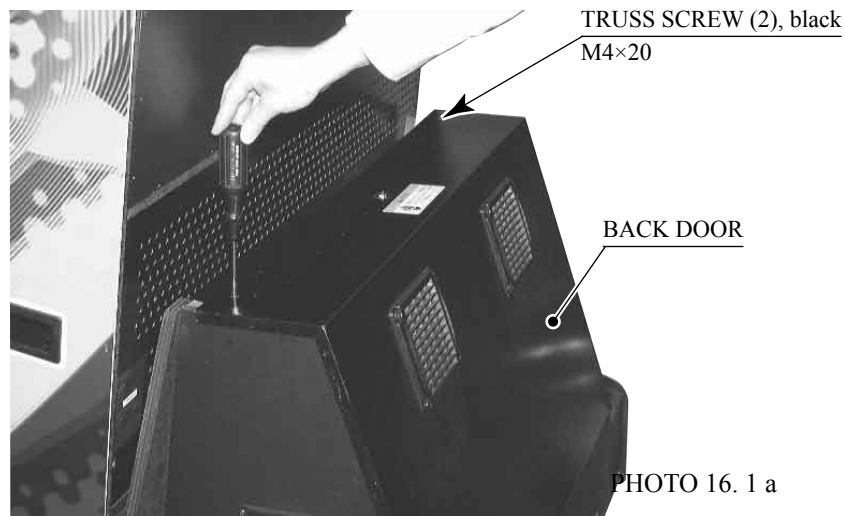


Put the Game Board in the Carton Box (an accessory) together with the Shield Case when requesting for the replacement or repair. Transporting the Game Board in an undesignated status for replacement/repair is unacceptable.

16 - 1 REMOVING THE GAME BOARD

The Game Board and all the other IC boards are located on the back of the Front Cabinet.

- ① Turn the power off.
- ② Remove the 2 truss screws securing the Back Door.



- ③ Unlock and remove the Back Door.



PHOTO 16. 1 b

- ④ There is a game board (NAOMI 2 Board) above the wooden board of the ASSY MAIN board to the interior of the back door. Disconnect all of the connectors that are connected to the game board. If the connectors are difficult to disconnect because of how they are secured, unsecure them before removing.



PHOTO 16. 1 c

- ⑤ Remove the four screws that secure the wooden board of the game board and remove the game board. When removing the securing screws the game board may fall and damage the game board or its interior part and wiring. Support the board carefully when removing the screws.

SCREW (4)
M4×16, w/flat & spring washers

GAME BOARD

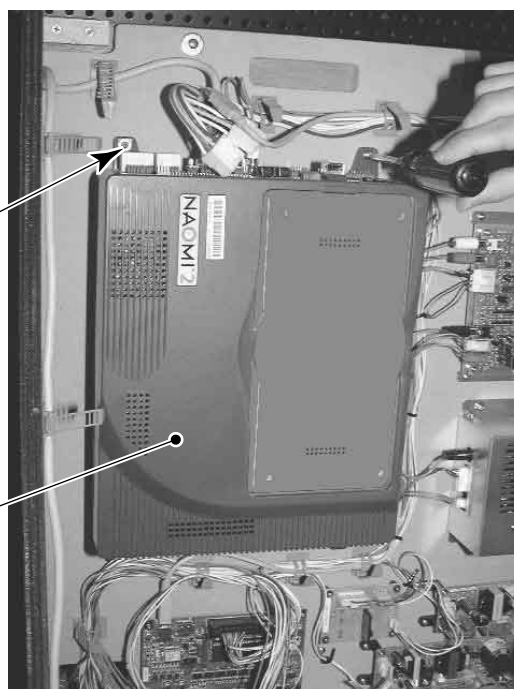


PHOTO 16. 1 d

16 - 2 COMPOSITION OF GAME BOARD

ASSY CASE NAT SSF USA 840-0095D-01 USA

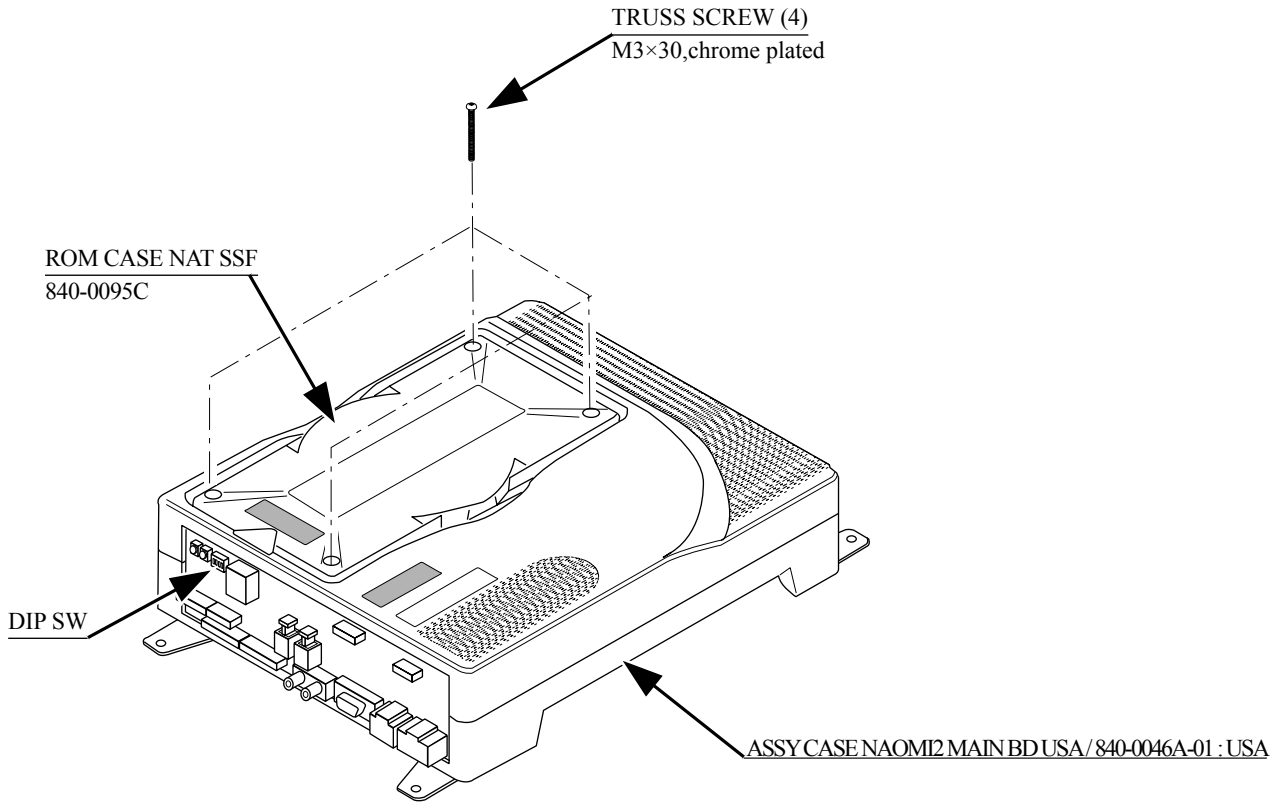


FIG. 16. 2 a

DIP SW SETTING

In this product, set all of the DIP SWes to OFF.

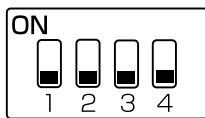
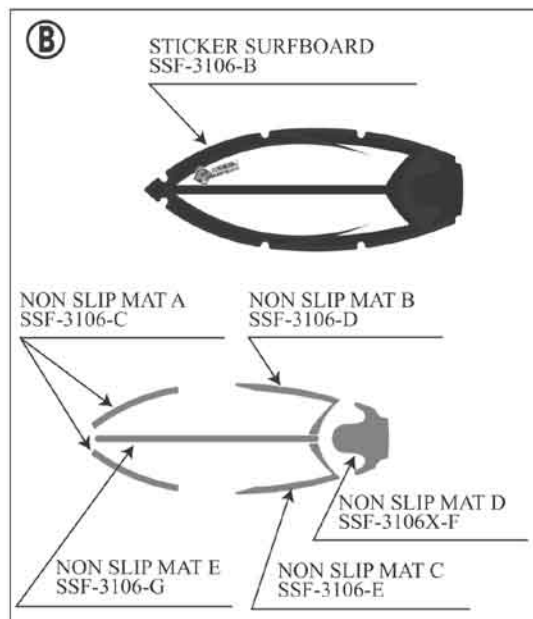
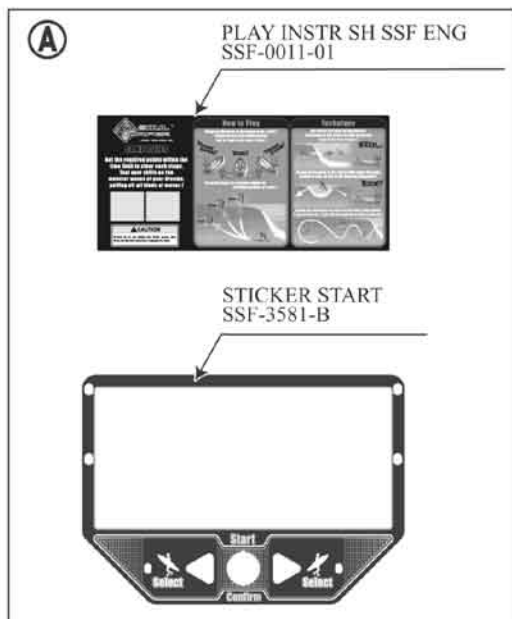
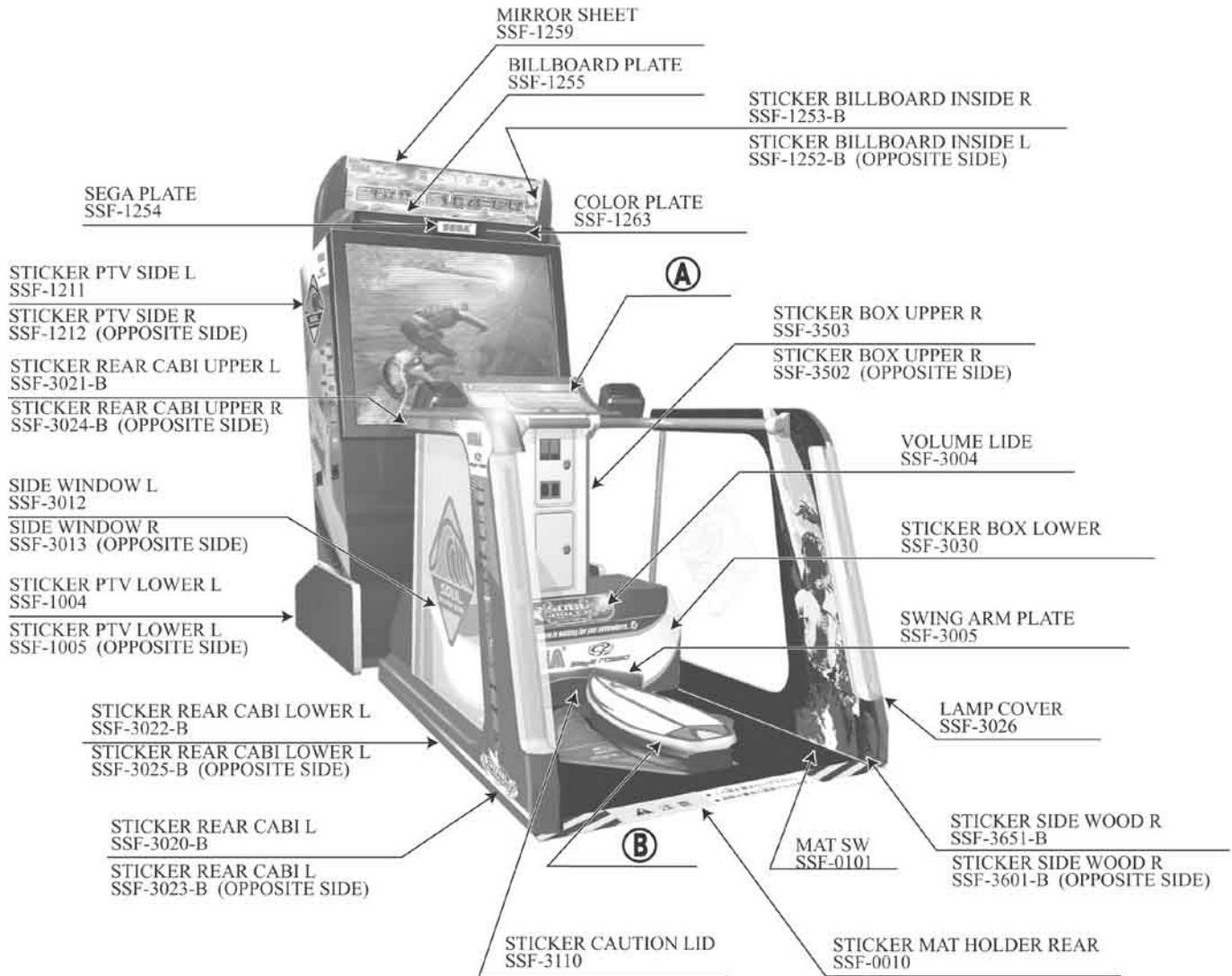


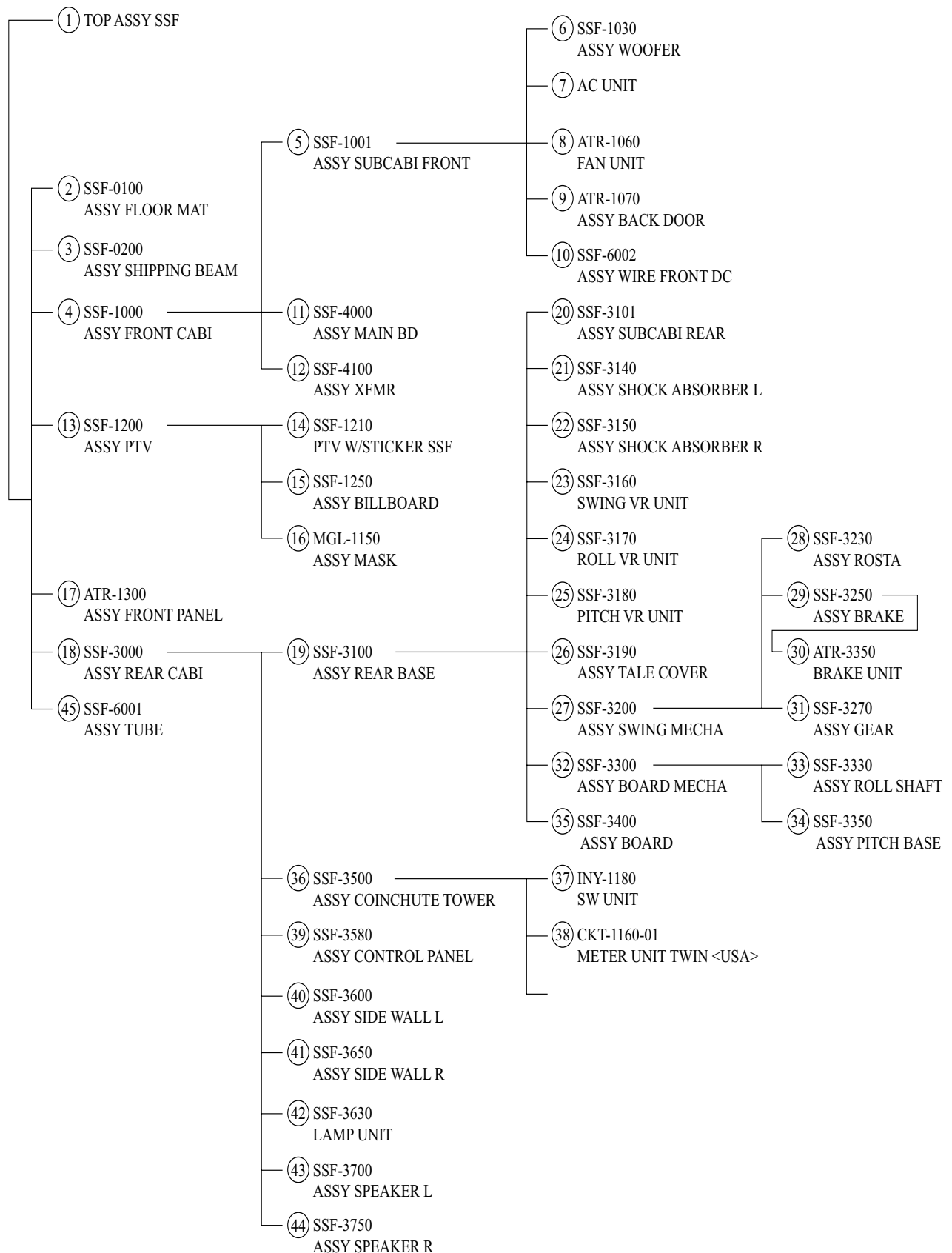
FIG. 16. 2 b

17. DESIGN RELATED PARTS

For the Warning Display stickers, refer to Section 1.

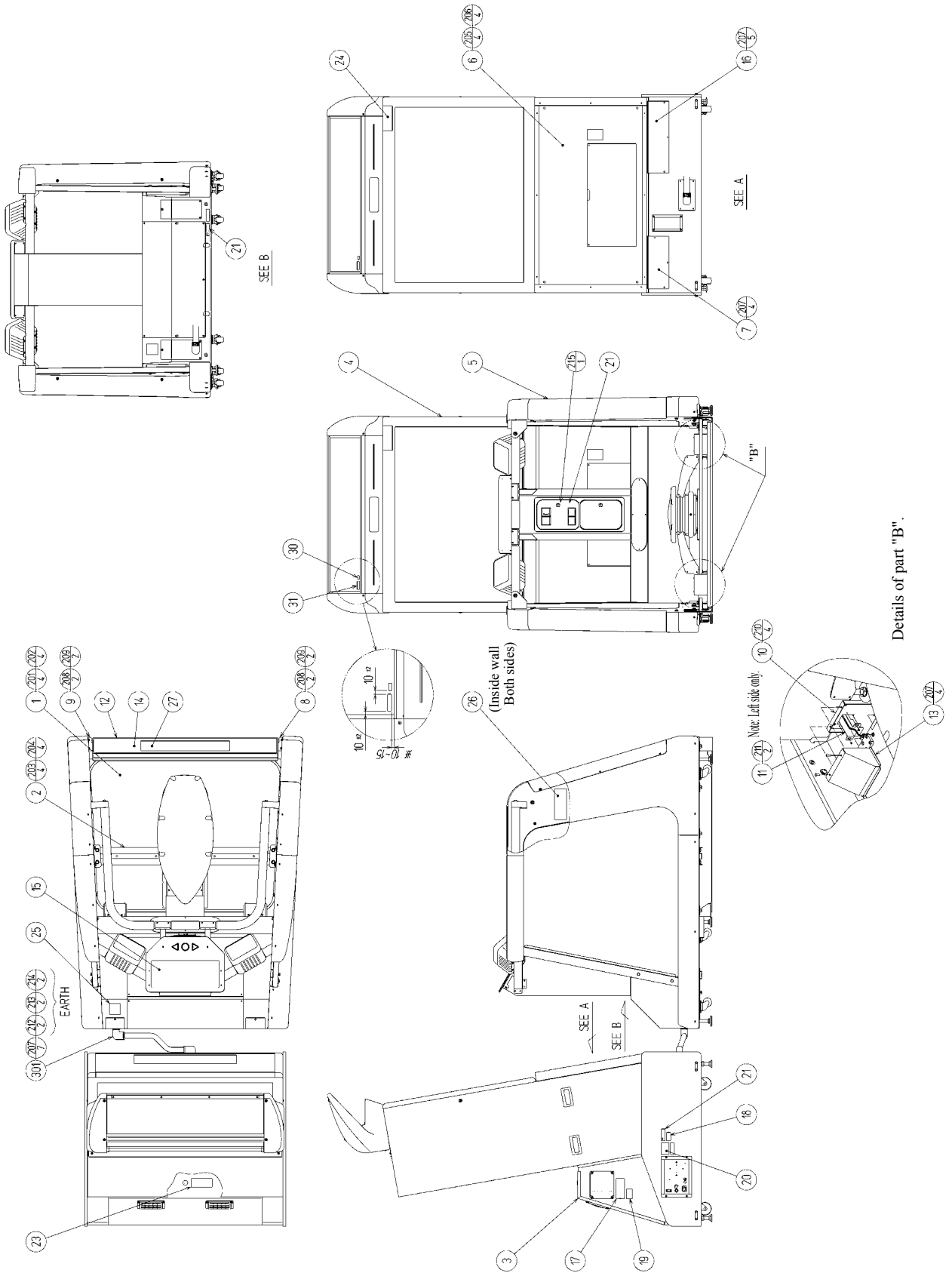


18. PARTS LIST



1 TOP ASSY SSF

(D-1/3)



① TOP ASSY SSF

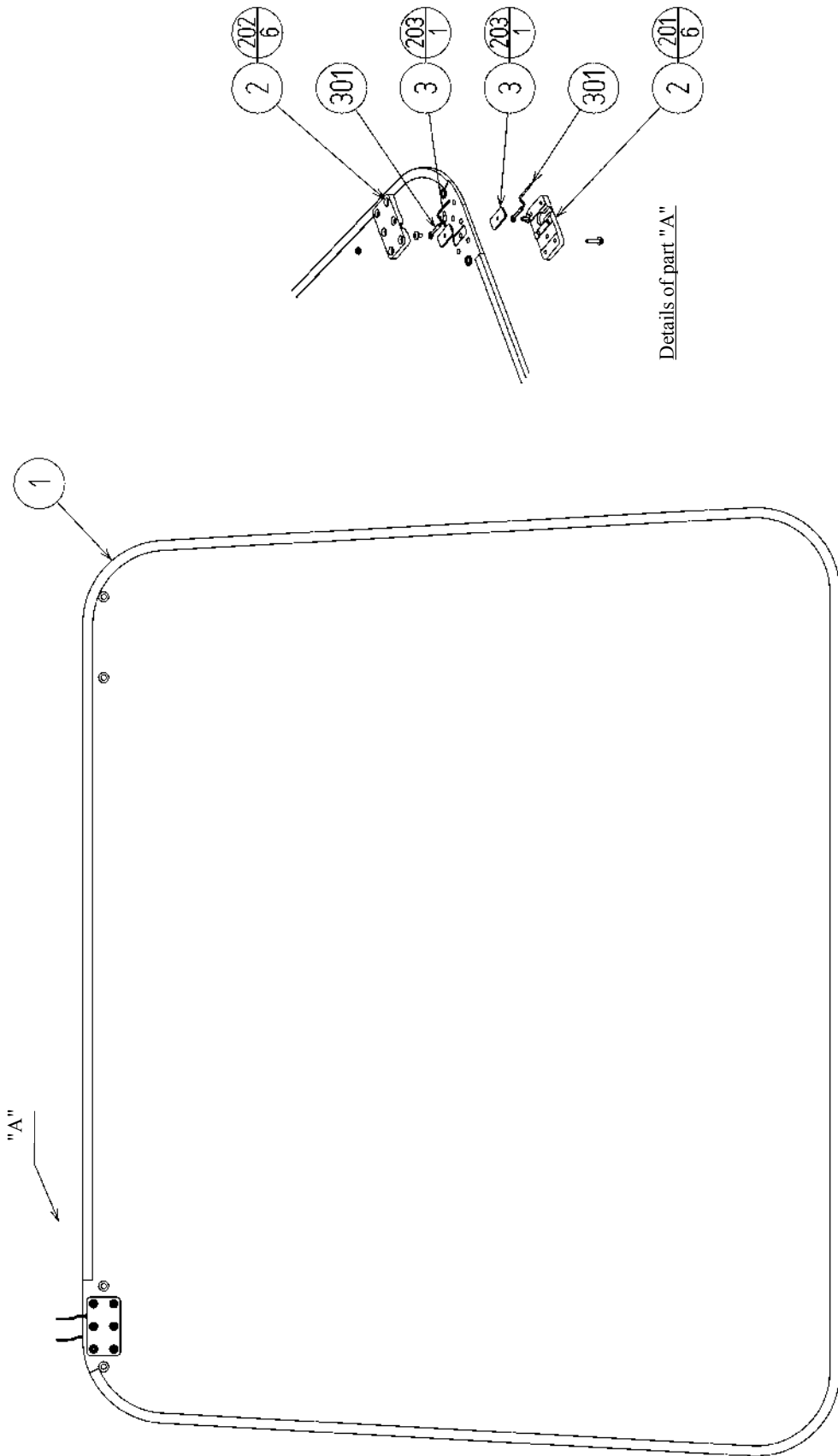
(D-2/3)

ITEM NO.	PART NO.	DESCRIPTION	NOTE
1	SSF-0100	ASSY FLOOR MAT	
2	SSF-0200	ASSY SHIPPING BEAM	
3	SSF-1000	ASSY FRONT CABI	
4	SSF-1200	ASSY PTV	
5	SSF-3000	ASSY REAR CABI	
6	ATR-1300	ASSY FRONT PANEL	
7	SSF-0003	FRONT LID	
8	SSF-0004	MAT BRKT L	
9	SSF-0005	MAT BRKT R	
10	SSF-0006	MAT HOLDER FRONT	
11	SSF-0007	WIRE COVER LOWER	
12	SSF-0008X	MAT HOLDER REAR	
13	SSF-0009	MAT WIRE COVER	
14	SSF-0010	STICKER MAT HOLDER REAR	
15	SSF-0011-01	PLAY INSTR SH SSF ENG	
16	ATR-0001	HOLE LID	
22	421-8479-01	STICKER INSTR SUNLIGHT ENG	
23	440-WS0033XEG	STICKER W BD POWER OFF ENG	
24	440-CS0175-EG	STICKER C EPILEPSY ENG	
25	440-WS0002XEG	STICKER W POWER OFF ENG	
26	440-CS0231-EG	STICKER C PANEL ATR ENG	
27	440-CS0254-EG	STICKER C STEP SSF ENG	
201	050-F00400	FLG NUT M4	
202	068-441616	FLT WSHR 4.4-16×1.6	
203	030-0008A0-SB	HEX BLT W/S BLK M8×100	
204	068-852216-0B	FLT WSHR BLK 8.5-22×1.6	
205	000-T00520-0B	M SCR TH BLK M5×20	
206	068-552016-0B	FLT WSHR BLK 5.5-20×1.6	
207	000-T00416-0B	M SCR TH BLK M4×16	
208	030-000630-SB	HEX BLT BLK W/S M6×30	
209	068-652016-0B	FLT WSHR BLK 6.5-20×1.6	
210	000-P00508-W	M SCR PH W/FS M5×8	
211	000-P00408-W	M SCR PH W/FS M4×8	
212	050-H00400	HEX NUT M4	
213	060-S00400	SPR WSHR M4	
214	060-F00400	FLT WSHR M4	
215	008-T00412-0C	TMP PRF SCR TH BLK M4×12	
301	SSF-6001	ASSY TUBE	

ITEM NO.	PART NO.	DESCRIPTION	NOTE
401	601-6604-70	CARTON BOX 70	
402	SGM-2675X	POLYETHYLENE BAG 240 × 370	
403	420-6718-01	OWNERS MANUAL SSF ENG	
404	420-6644-01	SERVICE MANUAL NAOMI2 ENG	
406	600-6695-01	AC CABLE CONNECT TYPE USA 15A	<USA>
	600-6618	AC CABLE CONNECT TYPE FOR EXP	<AC 220-240V Area>
409	280-5009-01	CORD CLAMP 21	
411	390-5160	LAMP WG B TYPE 6V 3W (C2R)	
412	220-5484	VOL CONT B-5K OHM	
/	105-5356	SHIPPING BRKT	
/	421-8740	CAUTION INSTR COP U/R	
/	421-6690-01	STICKER 120V	<AC 120V Area>
/	421-6690-03	STICKER 220V	<AC 220V Area>
/	421-6690-06	STICKER 110V	<AC 110V Area>
/	421-6690-05	STICKER 240V	<AC 240V Area>
/	421-6119-91	STICKER FCC	<USA>
/	421-6120-93	STICKER SEGA USA	<USA>
/	421-7308-~	DENOMI SH 1GAME~	

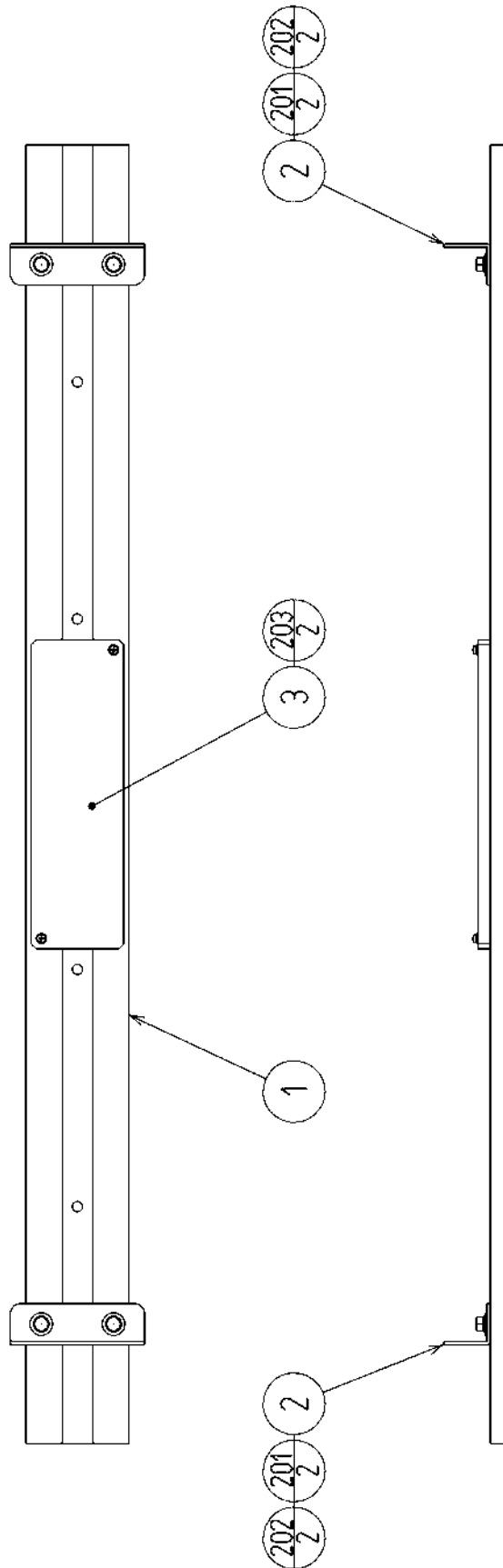
② ASSY FLOOR MAT (SSF-0100)

(D-1/2)





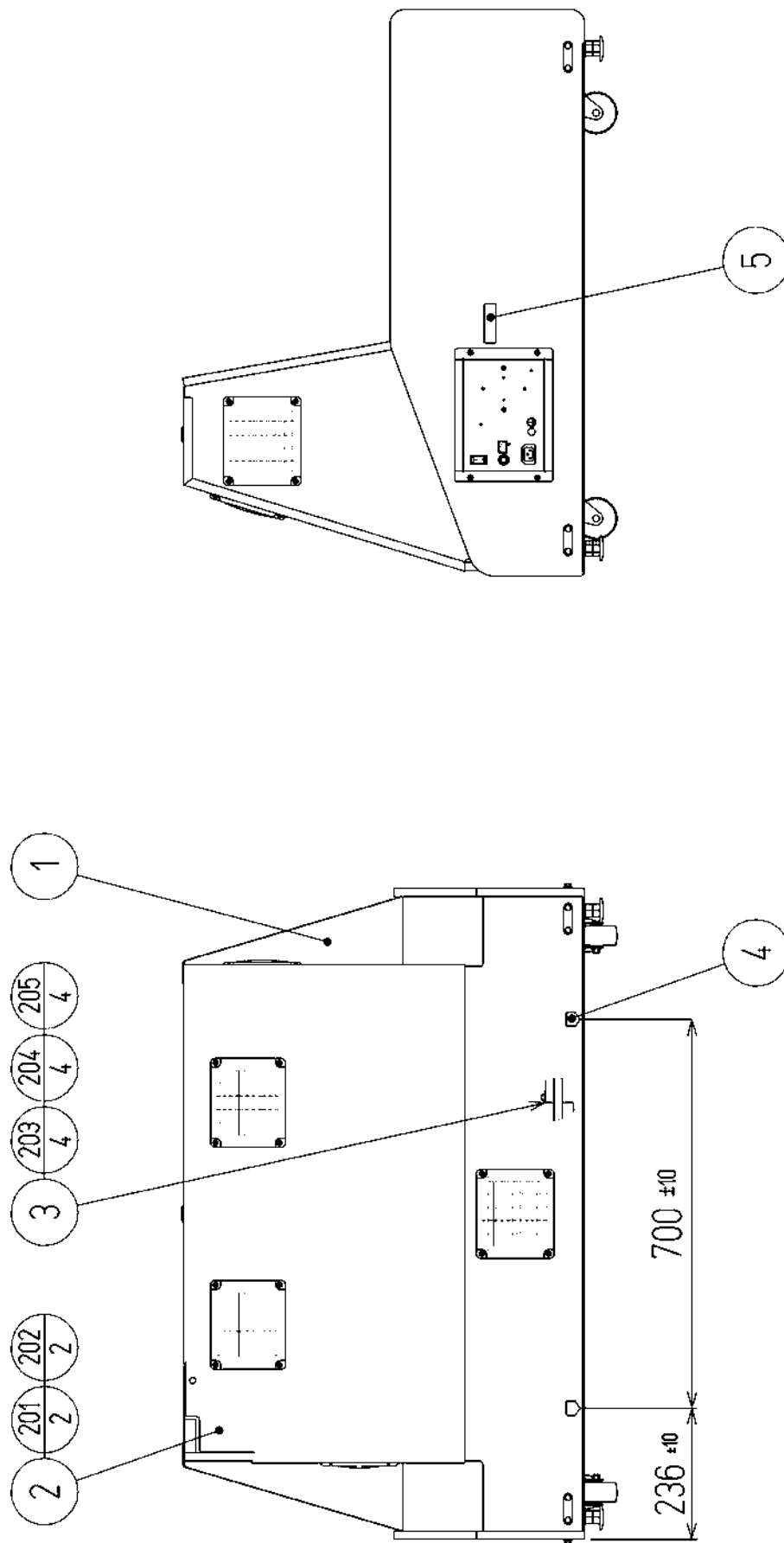
ITEM NO.	PART NO.	DESCRIPTION	NOTE
1	SSF-0101	MAT SW	
2	SSF-0102	MAT CONN PART	
3	SSF-0103	MAT TARMINAL	
4	999-1480	MAT REINFORCEMENT PLATE LEFT	
5	999-1481	MAT REINFORCEMENT PLATE RIGHT	
201	000-P00320-W	M SCR PH W/FS M3×20	
202	050-F00300	FLG NUT M3	
203	000-T00408	M SCR TH M4×8	
301	SSF-60050	WH MAT	



③ ASSY SHIPPING BEAM (SSF-0200)

(D-2/2)

ITEM NO.	PART NO.	DESCRIPTION	NOTE
1	SSF-0201	SHIPPING BEAM	
2	SSF-0202	SHIPPING BEAM BRKT	
3	SSF-0203	SHIPPING SPACER	
201	030-000820-S	HEX BLT W/S M8×20	
202	068-852216	FLT WSHR 8.5-22 ×1.6	
203	000-P00520-W	M SCR PH W/FS M5×20	



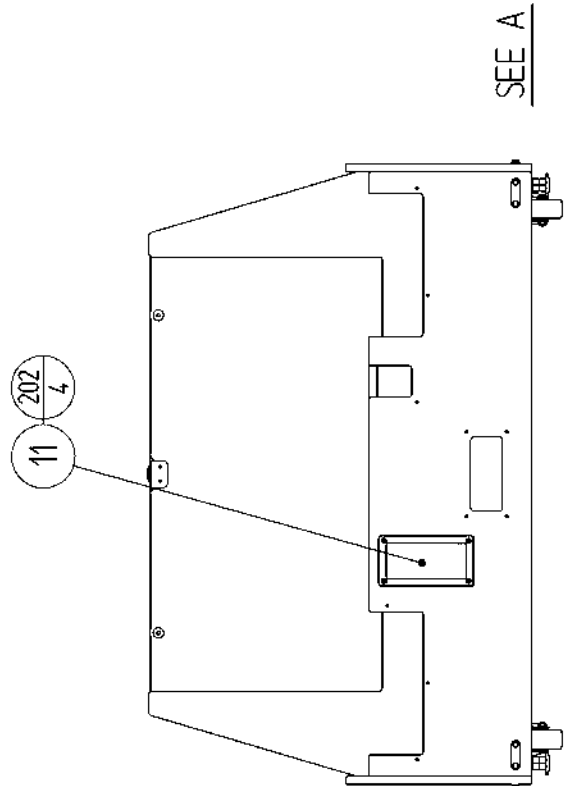
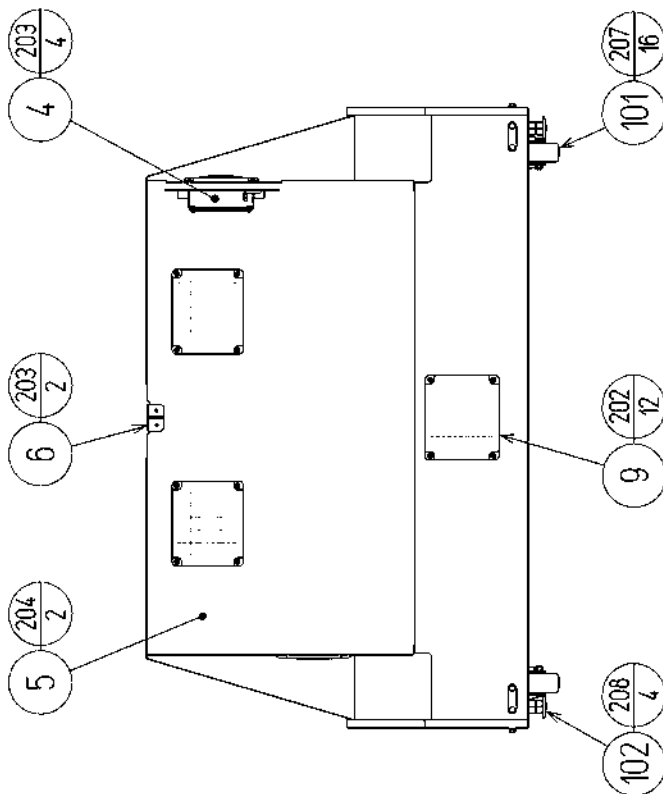
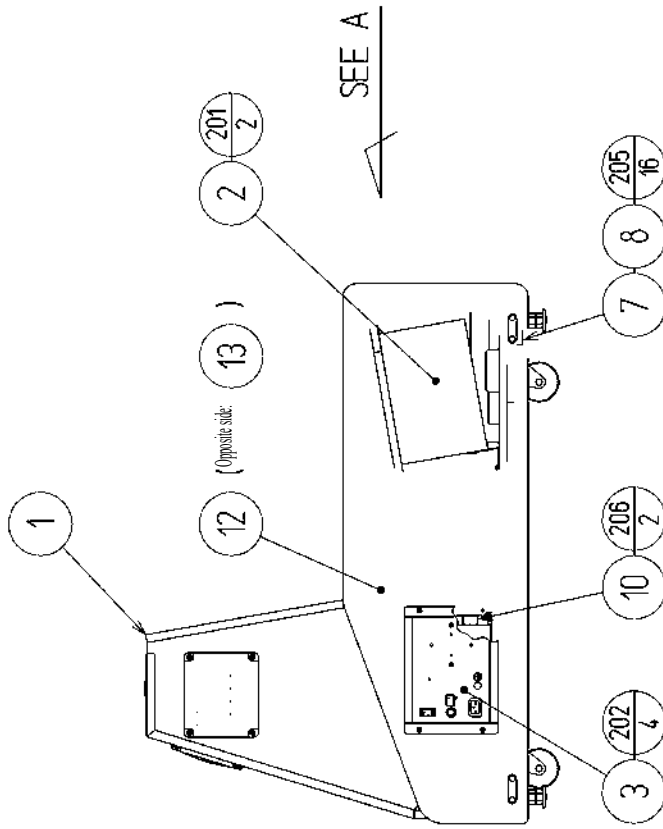
④ ASSY FRONT CABI (SSF-1000)

(D-2/2)

ITEM NO.	PART NO.	DESCRIPTION	NOTE
1	SSF-1001	ASSY SUBCABI FRONT	
2	SSF-4000	ASSY MAIN BD	
3	SSF-4100	ASSY XFMR	
4	421-11416	STICKER CAUTION FORK	
201	000-P00530-S	M SCR PH W/S M5×30	
202	068-552016	FLT WSHR 5.5-20 ×1.6	
203	000-P00630	M SCR PH M6×30	
204	060-S00600	SPR WSHR M6	
205	068-652016	FLT WSHR 6.5-20 ×1.6	

⑤ ASSY SUBCABI FRONT (SSF-1001)

(D-1/2)

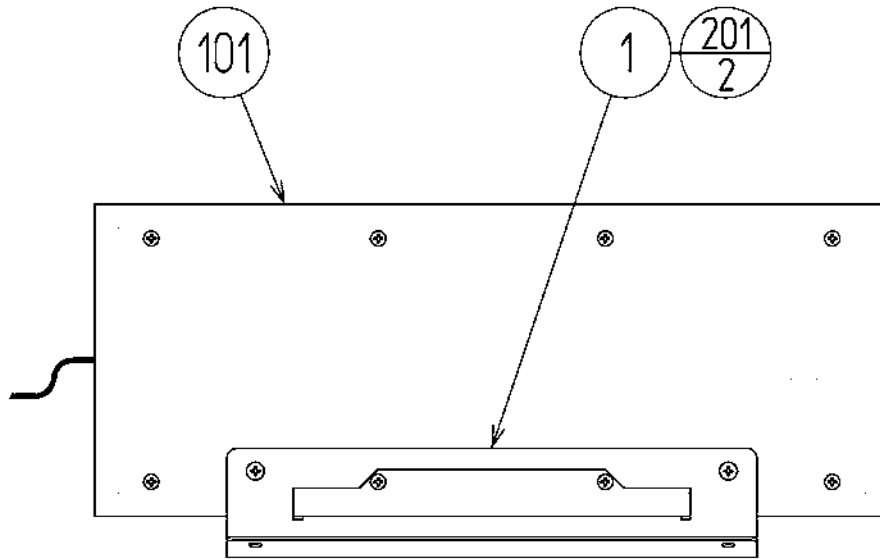


⑤ ASSY SUBCABI FRONT (SSF-1001)

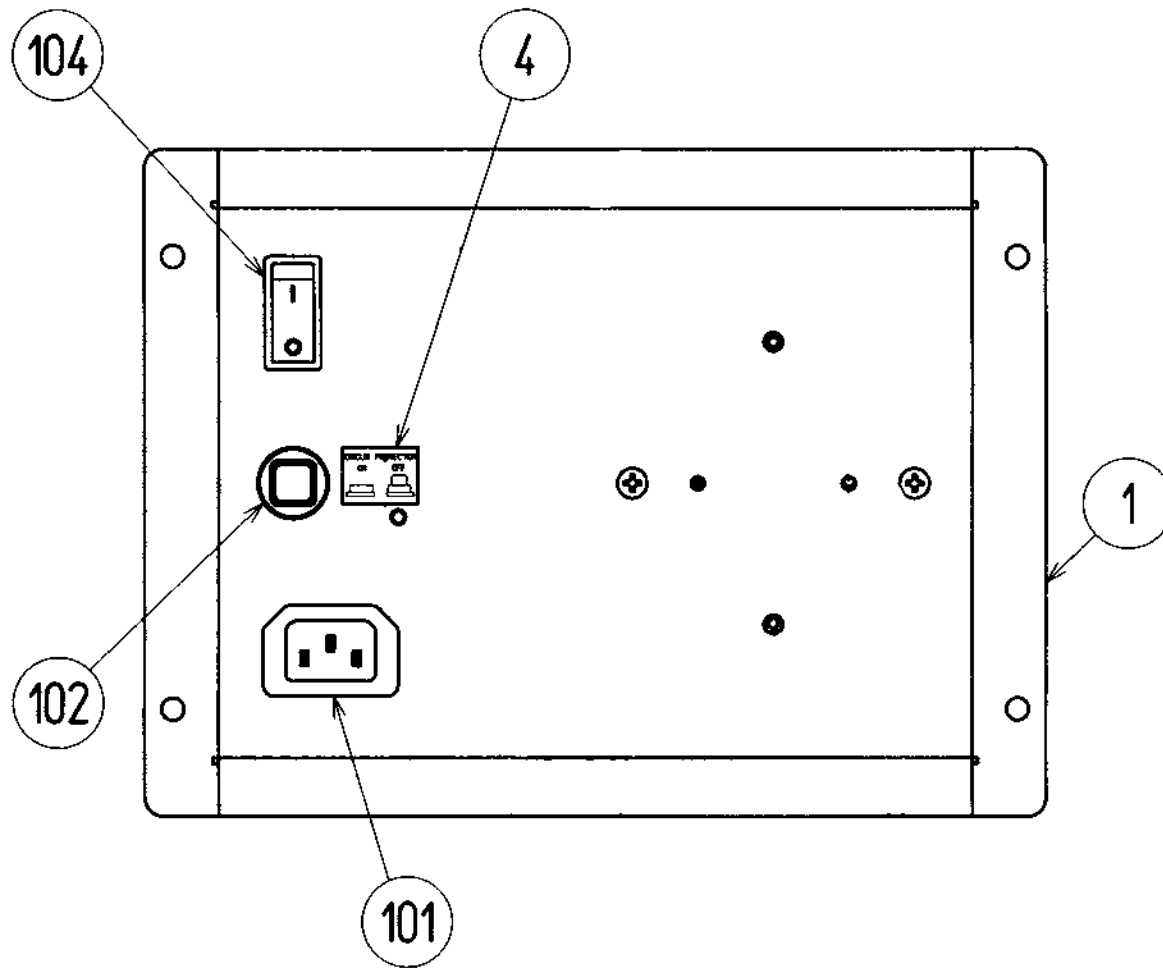
(D-2/2)

ITEM NO.	PART NO.	DESCRIPTION	NOTE
1	SSF-1002	BASE CABINET	
2	SSF-1030	ASSY WOOFER	
3	ATR-1050	AC UNIT	
4	ATR-1060	FAN UNIT	
5	ATR-1070	ASSY BACK DOOR	
6	ASK-1152	LOCK BRKT	
7	ARC-1006	LEG BRACKET	
8	117-5233	PLATE LEG BRACKET BLACK	
9	253-5460-01	AIR VENT BLACK	
10	117-5402-06-91	EARTH TERMINAL PLATE 6P	
11	SSF-1003	WOOFER NET	
12	SSF-1004	STICKER PTV LOWER L	
13	SSF-1005	STICKER PTV LOWER R	
101	601-9377	CASTER FAI=75	
102	601-5699X	LEG ADJUSTER BOLT M16×75	
103	280-5009-01	CORD CLAMP 21	
104	280-0419	HARNES LUG	
201	000-P00420-W	M SCR PH W/FS M4×20	
202	000-T00416-0B	M SCR TH BLK M4×16	
203	000-P00416-W	M SCR PH W/FS M4×16	
204	000-T00420-0B	M SCR TH BLK M4×20	
205	030-000630-SB	HEX BLT BLK W/S M6×30	
206	011-F00316	TAP SCR FH 3×16	
207	030-000625-W	HEX BLT W/FS M6×25	
208	050-H01600-0B	HEX NUT BLK M16	
209	011-F00312	TAP SCR #1 FH 3×12	
210	011-T03512	TAP SCR TH 3.5×12	
301	600-6972-1200	WIRE HARN EARTH ID5 1200MM	
303	SSF-6002	ASSY WIRE FRONT DC	
304	SSF-60001	WH XFMR IN	
305	SSF-60014	WH PTV AC100V	
306	SSF-60015	WH AC FAN	

⑥ ASSY WOOFER (SSF-1030)

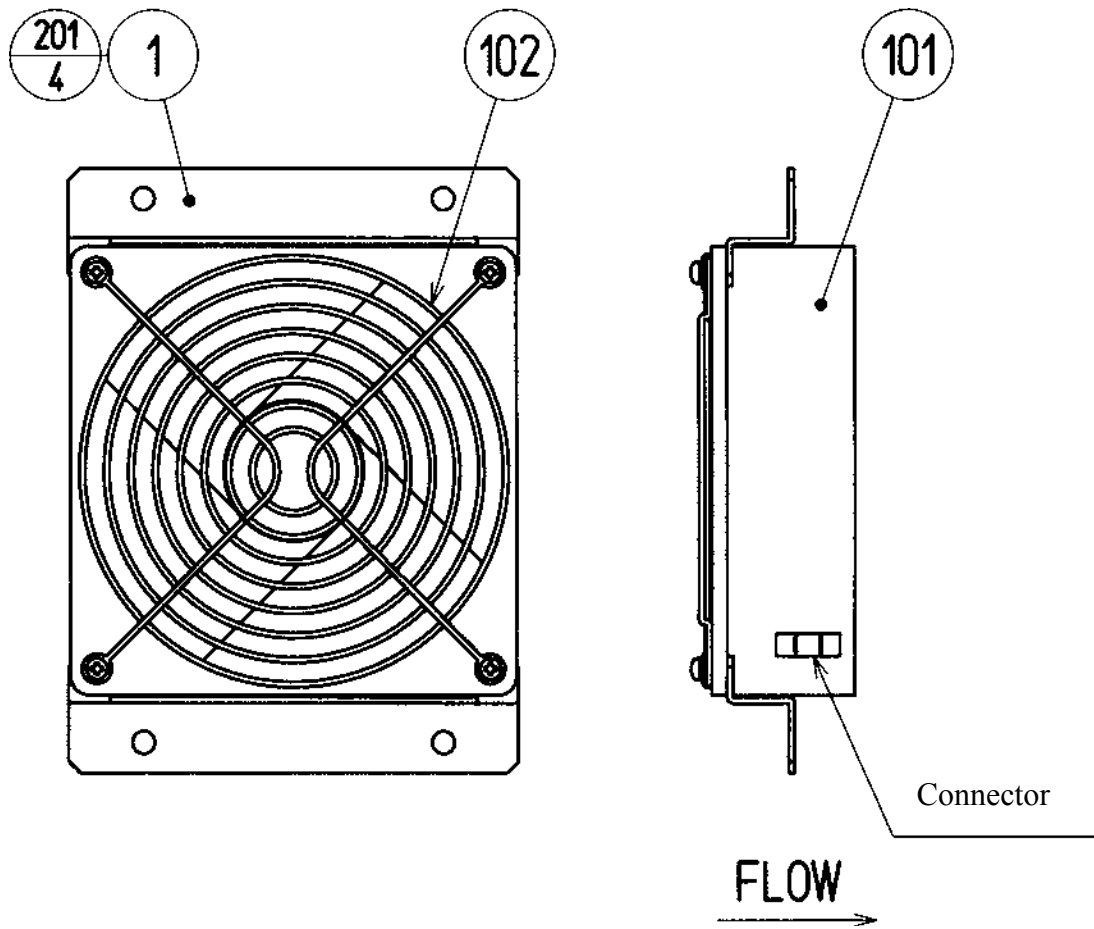


ITEM NO.	PART NO.	DESCRIPTION	NOTE
1	SSF-1031	WOOFER BRKT	
101	130-5097	SPEAKER BOX SUPER WOOFER	
102	209-0023	CONN CLOSED END	
201	011-T03512	TAP SCR TH 3.5×12	
301	SSF-60029	WH WOOFER	



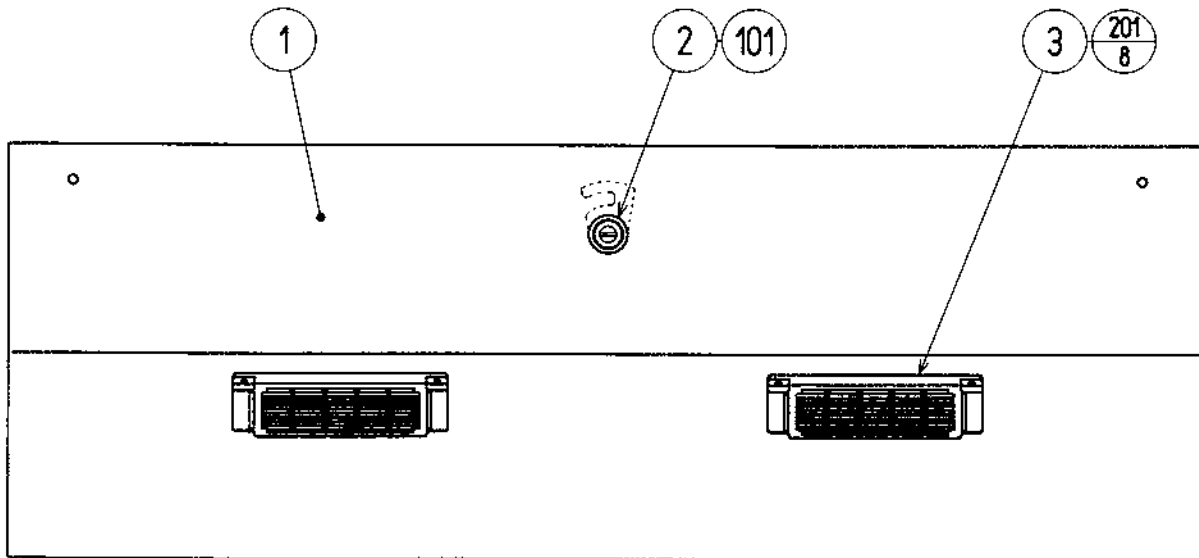
ITEM NO.	PART NO.	DESCRIPTION	NOTE
1	JBA-1031	AC BRKT	
4	421-7468-01	STICKER C.P W/PIC	
101	214-0202	AC INLET PANEL TYPE	
102	512-5046-8000	C.P 8000MA CE UL	<AC 110-120V Area>
	512-5046-5000	C.P 5000MA CE UL	<AC 220-240V Area>
104	509-5453-91-V-B	SW ROCKER J8 V-B	

⑧ FAN UNIT (ATR-1060)



ITEM NO.	PART NO.	DESCRIPTION	NOTE
1	ATR-1061	FAN BRKT	
101	260-0011-02	AXIAL FLOW FAN AC100V 50-60HZ	
102	601-8543	FAN GUARD	
201	000-P00312-W	M SCR PH W/FS M3×12	

⑨ ASSY BACK DOOR (ATR-1070)



ITEM NO.	PART NO.	DESCRIPTION	NOTE
1	ATR-1071	BACK DOOR	
2	TH-1015	LOCKING TONGUE	
3	253-5460-01	AIR VENT BLACK	
101	220-5575	CAM LOCK MASTER W/O KEY	
201	000-T00408-0B	M SCR TH BLK M4×8	

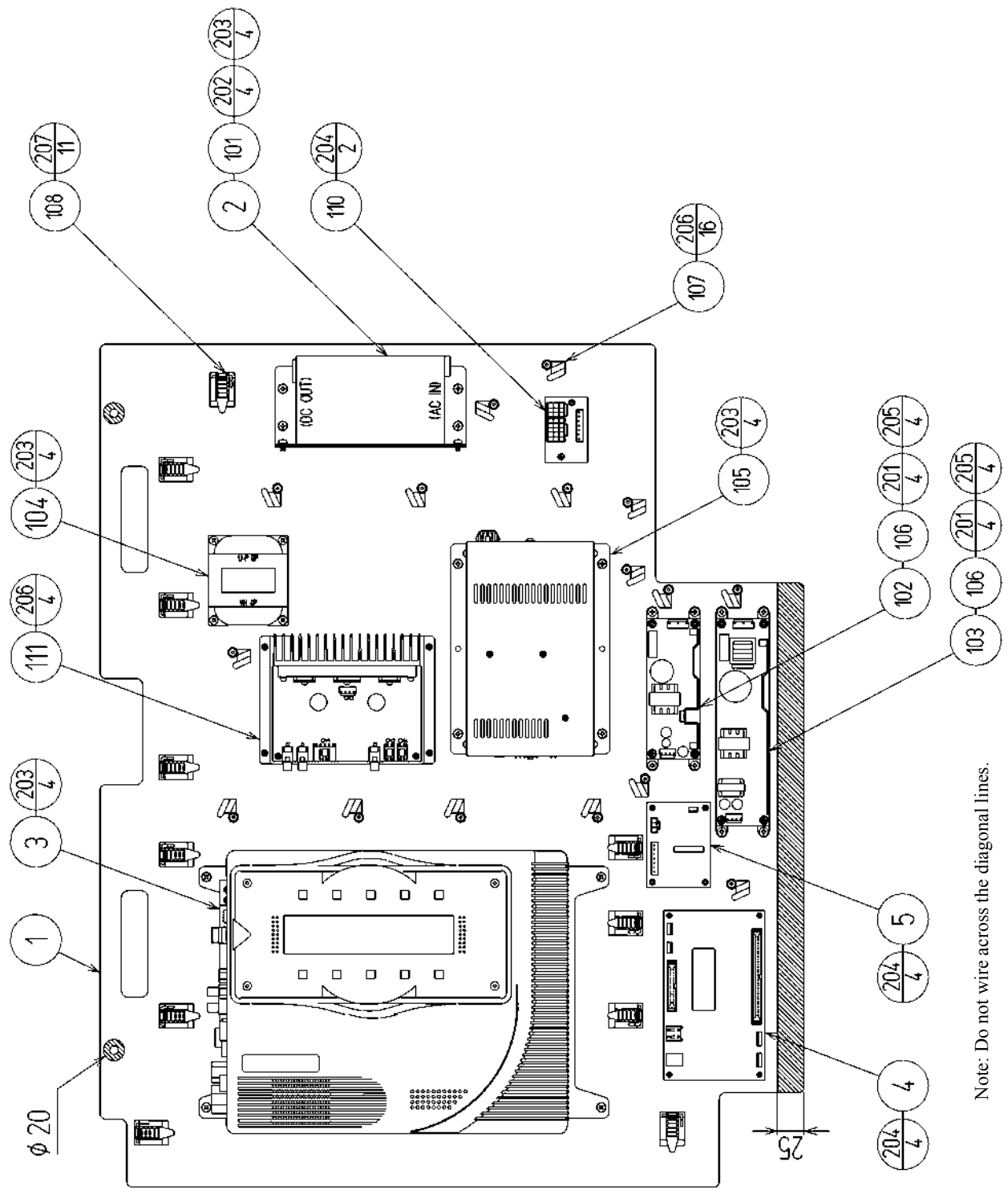
⑩ ASSY WIRE FRONT DC (SSF-6002)

This is comprised of the following wire harnesses. ASSY drawing is not available.

ITEM NO.	PART NO.	DESCRIPTION	NOTE
101	601-0460	PLASTIC TIE BELT 100 MM	
301	SSF-60016	WH EXT WOOFER	
302	SSF-60023	WH EXT SOUND FRONT	
303	SSF-60024	WH EXT TOWER FRONT	
304	SSF-60025	WH EXT SW FRONT	
305	SSF-60026	WH EXT LAMP FRONT	
306	SSF-60027	WH EXT BRAKE FRONT	
307	SSF-60028	WH EXT VR FRONT	
308	600-7009-2500	ASSY RGB CA D-SUB 15P 2500MM	

⑪ ASSY MAIN BD (SSF-4000)

(D-1/2)

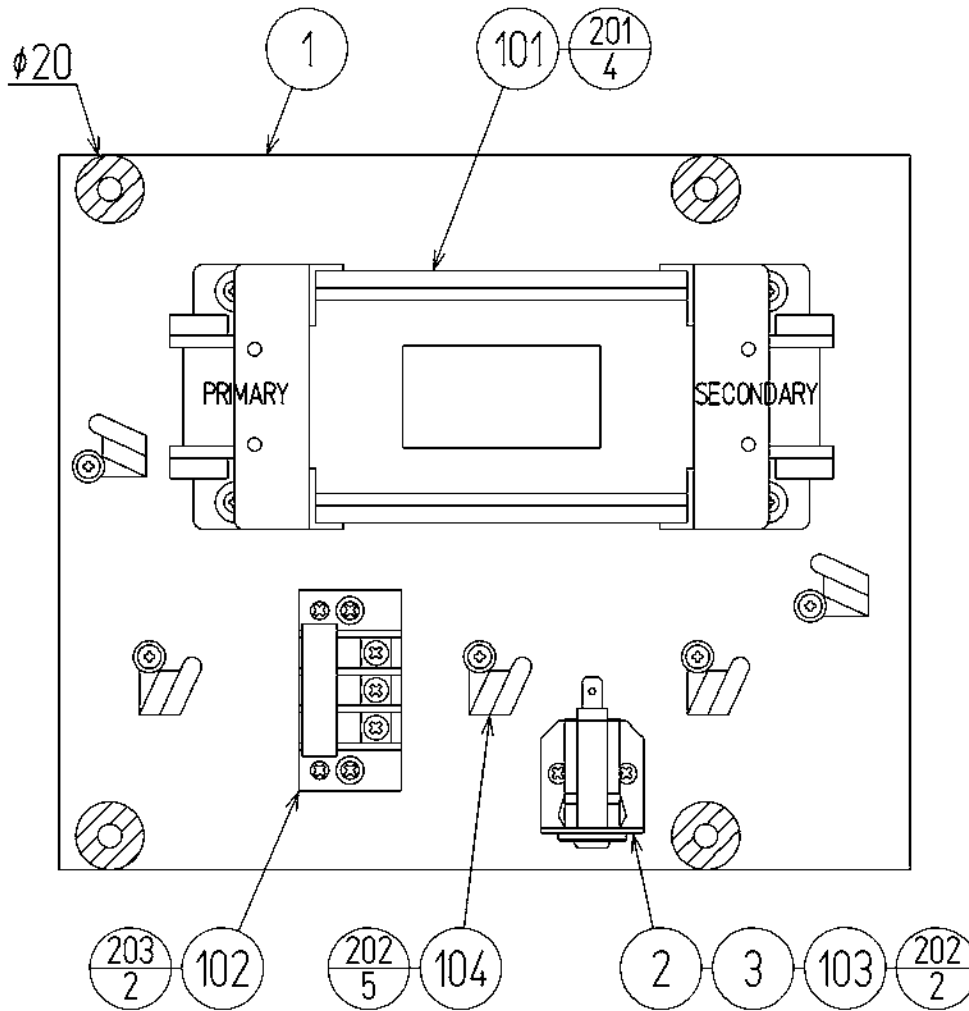


⑪ ASSY MAIN BD (SSF-4000)

(D-2/2)

ITEM NO.	PART NO.	DESCRIPTION	NOTE
1	SSF-4001	MAIN BD BASE	
2	APC-4002	SW REGU BRKT	
3	840-0095D-01	ASSY CASE NAT SSF USA	<USA>
4	837-13551-92	I/O CONTROL BD FOR JVS	
5	839-1073-03	SSR BD 1 DC 2A	
101	400-5397-01	SW REGU FOR JVS VA	
102	400-5421-03024	SW REGU LCA30S-24	
103	400-5421-05012	SW REGU LCA50S-12	
104	560-5407	AUDIO XFMR 100V 17V2.1AX2	
105	610-0609	LOWPASS AMP 4OHM 30W	
106	601-7467	L-LOCK BK	
107	/		
108	/		
109	/		
110	838-11856-UL	CONNECT BD UL	
111	838-13616	AUDIO POWER AMP 2CH	
201	000-P00308-W	M SCR PH W/FS M3×8	
202	000-P00408-W	M SCR PH W/FS M4×8	
203	000-P00416-W	M SCR PH W/FS M4×16	
204	011-P00325	TAP SCR PH 3×25	
205	011-T03516	TAP SCR TH 3.5×16	
206	011-T03512	TAP SCR TH 3.5×12	
207	011-F00312	TAP SCR #1 FH 3×12	
301	600-7141-100	CABLE JVS TYPE A-B 100CM	
302	600-7159-070	WIRE HARN JVS PWR 070CM	
303	ATR-60004	WH EXT DC MAIN BD	
304	ATR-60012	WH DC24V	
305	SSF-60004	WH CONN BD IN	
306	SSF-60005	WH CONN BD 9P	
307	SSF-60006	WH CONN BD 15P	
308	SSF-60007	WH PWR AMP	
309	SSF-60008	WH AUDIO	
310	SSF-60009	WH AUDIO CENTER	
311	SSF-60010	WH LOWPASS WOOFER	
312	SSF-60011	WH I/O BD	
313	SSF-60012	WH I/O BD A/D	
314	SSF-60013	WH SSR BD BRAKE	

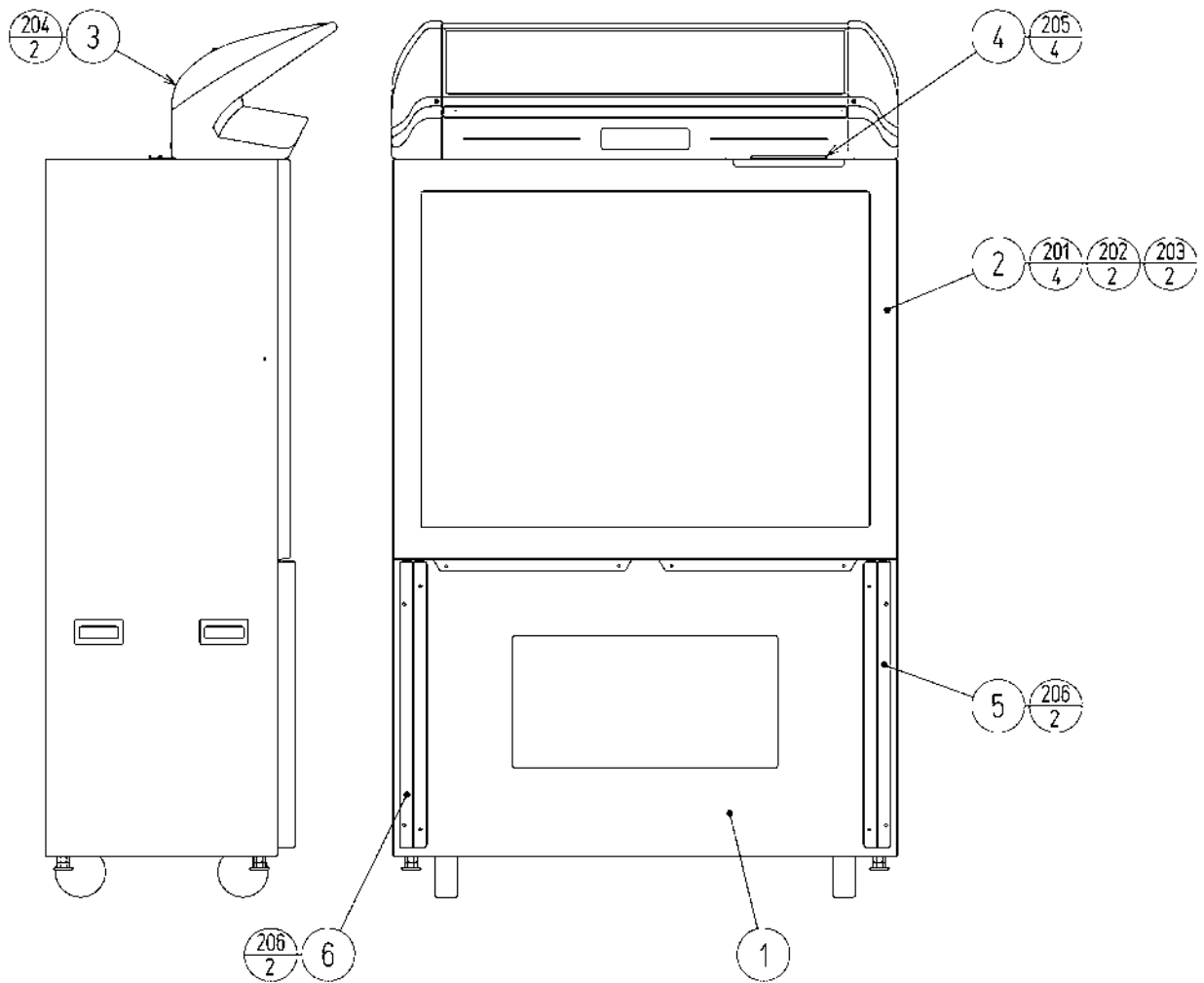
⑫ ASSY XFMR (SSF-4100)



Note: Do not wire across the diagonal lines.

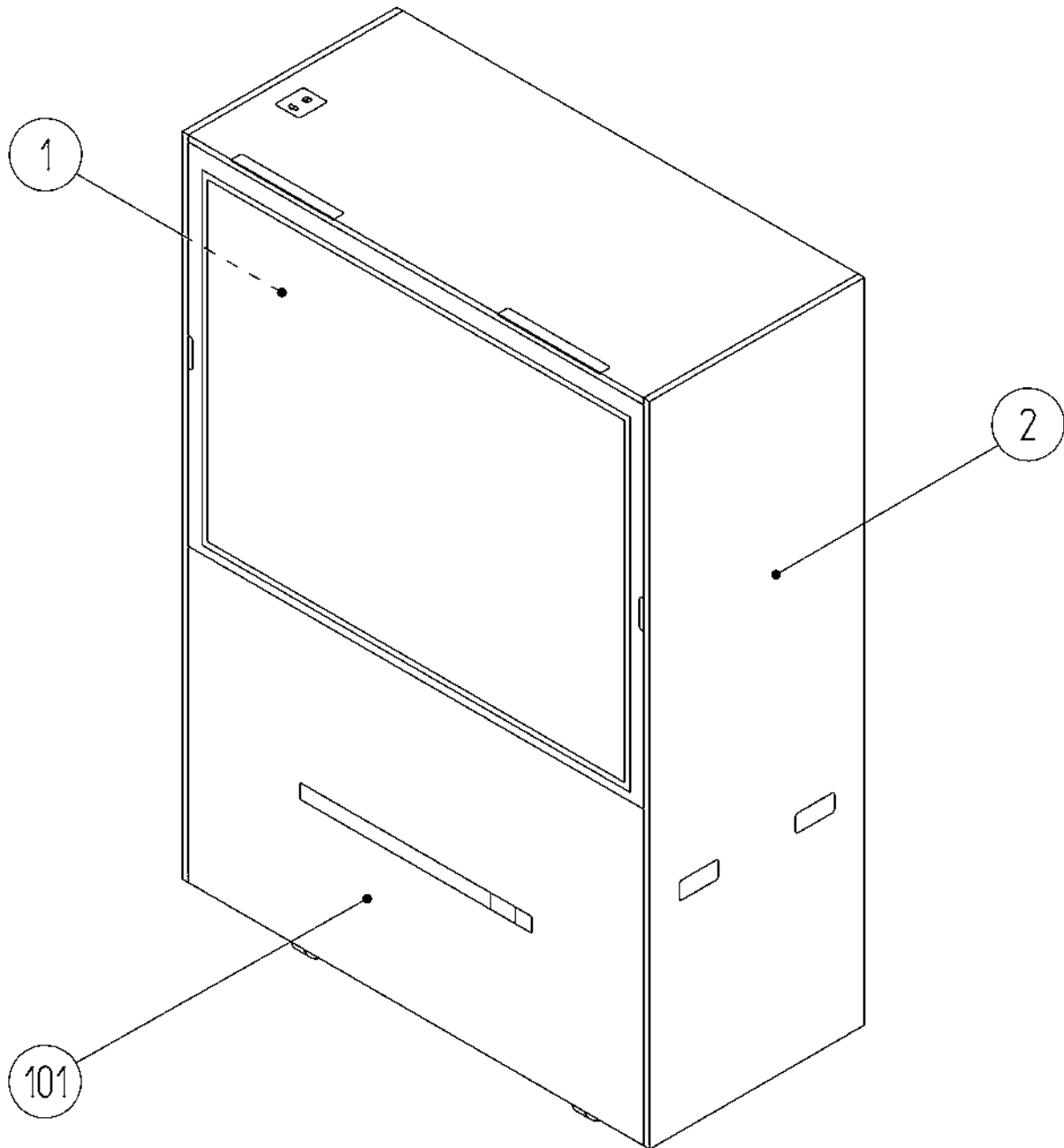
ITEM NO.	PART NO.	DESCRIPTION	NOTE
1	SSF-4101	XFMR BASE	
2	NCR-4202	C.P.BRKT	
3	421-7468-01	STICKER C.P W/PIC	
101	560-5448-V	XFMR 100-120V 100V10A	<AC 100-120V Area>
102	117-5225	TERMINAL 3P 20A	
103	512-5046-8000	C.P 8000MA CE UL	
201	000-P00516-W	M SCR PH W/FS M5×16	
202	011-T03512	TAP SCR TH 3.5×12	
203	011-T00316	TAP SCR TH 3×16	
301	SSF-60002	WH XFMR OUT	
302	SSF-60003	WH AC100V OUT	

⑬ ASSY PTV (SSF-1200)

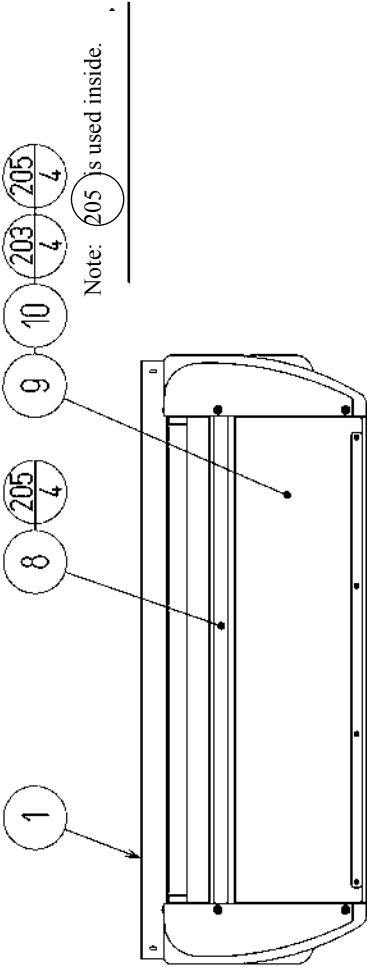


ITEM NO.	PART NO.	DESCRIPTION	NOTE
1	SSF-1210	PTV W/STICKER SSF	
2	MGL-1150	ASSY MASK	
3	SSF-1250	ASSY BILLBOARD	
4	RAL-0501	MASK HOLDER	
5	DYN-0501	PANEL MOUNT BRKT L	
6	DYN-0502	PANEL MOUNT BRKT R	
201	000-P00520-W	M SCR PH W/FS M5x20	
202	000-T00525-0C	M SCR TH CRM M5x25	
203	068-552016-0C	FLT WSHR CRM 5.5-20x1.6	
204	000-P00516-WB	M SCR PH W/FS BLK M5x16	
205	000-F00412	M SCR FH M4x12	
206	000-P00516-W	M SCR PH W/FS M5x16	

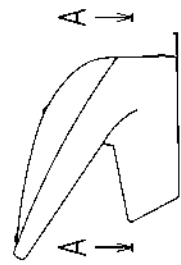
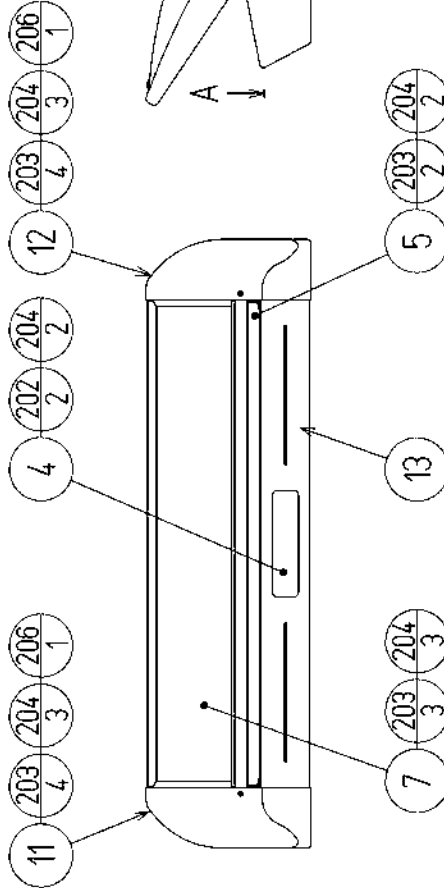
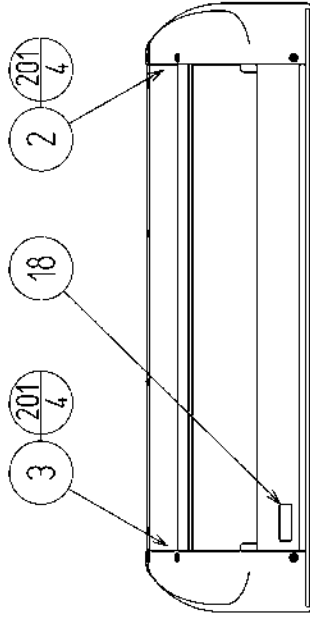
⑭ PTV W/STICKER SSF (SSF-1210)



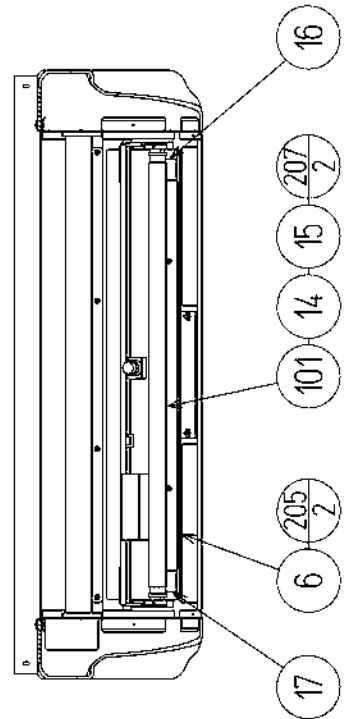
ITEM NO.	PART NO.	DESCRIPTION	NOTE
1	SSF-1211	STICKER PTV SIDE L	
2	SSF-1212	STICKER PTV SIDE R	
101	200-5788-31	PROJECTION DSPL T 50TYPE 31K	



Note: 205 is used inside.



Note: The printed part is the front side.

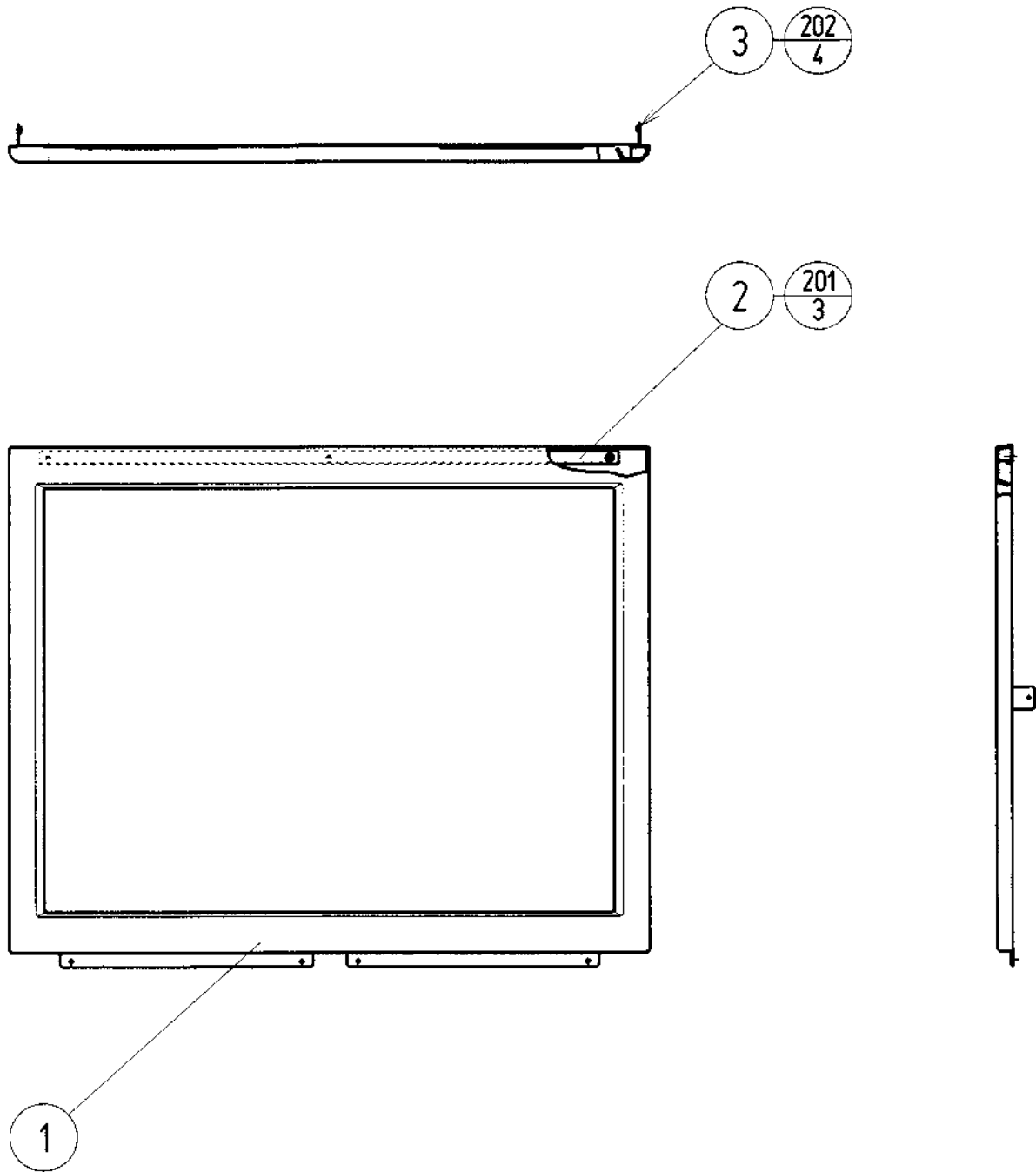


15 ASSY BILLBOARD (SSF-1250)

(D-2/2)

ITEM NO.	PART NO.	DESCRIPTION	NOTE
1	SSF-1251	BILLBOARD BOX	
2	SSF-1252	WOOD PILLAR L	
3	SSF-1253	WOOD PILLAR R	
4	SSF-1254	SEGA PLATE	
5	SSF-1255	BILLBOARD PLATE	
6	SSF-1256	BOX REFLECTOR	
7	SSF-1257	BILLBOARD HALF MIRROR	
8	SSF-1258	BOX LIB	
9	SSF-1259	MIRROR SHEET	
10	SSF-1260	WSHR PLATE	
11	SSF-1261	BILLBOARD COVER L	
12	SSF-1262	BILLBOARD COVER R	
13	SSF-1263	COLOR PLATE	
14	LOCAL PURCHASE	S/A FLOURESCENT FIXTURE 15"	
		Locally supplied	<USA>
15	421-7501-18	STICKER FL14W	<Others>
		Locally supplied	<USA>
16	440-WS0141-EG	STICKER W HIGH TEMP S ENG	
17	440-WS0142-EG	STICKER W POWER OFF S ENG	
101	LOCAL PURCHASE	FLOURESCENT LAMP WH 15"14W COOL WHITE	
201	000-T00416-0C	M SCR TH CRM M4×16	
202	050-F00400	FLG NUT M4	
203	000-T00410-0B	M SCR TH BLK M4×10	
204	068-441616-0B	FLT WSHR BLK 4.4-16×1.6	
205	000-P00408-WB	M SCR PH W/FS BLK M4×8	
206	000-F00408	M SCR FH M4×8	
207	000-P00430-W	M SCR PH W/FS M4×30	<Others>
		Locally supplied	<USA>
301	SSF-60054	WH FL	

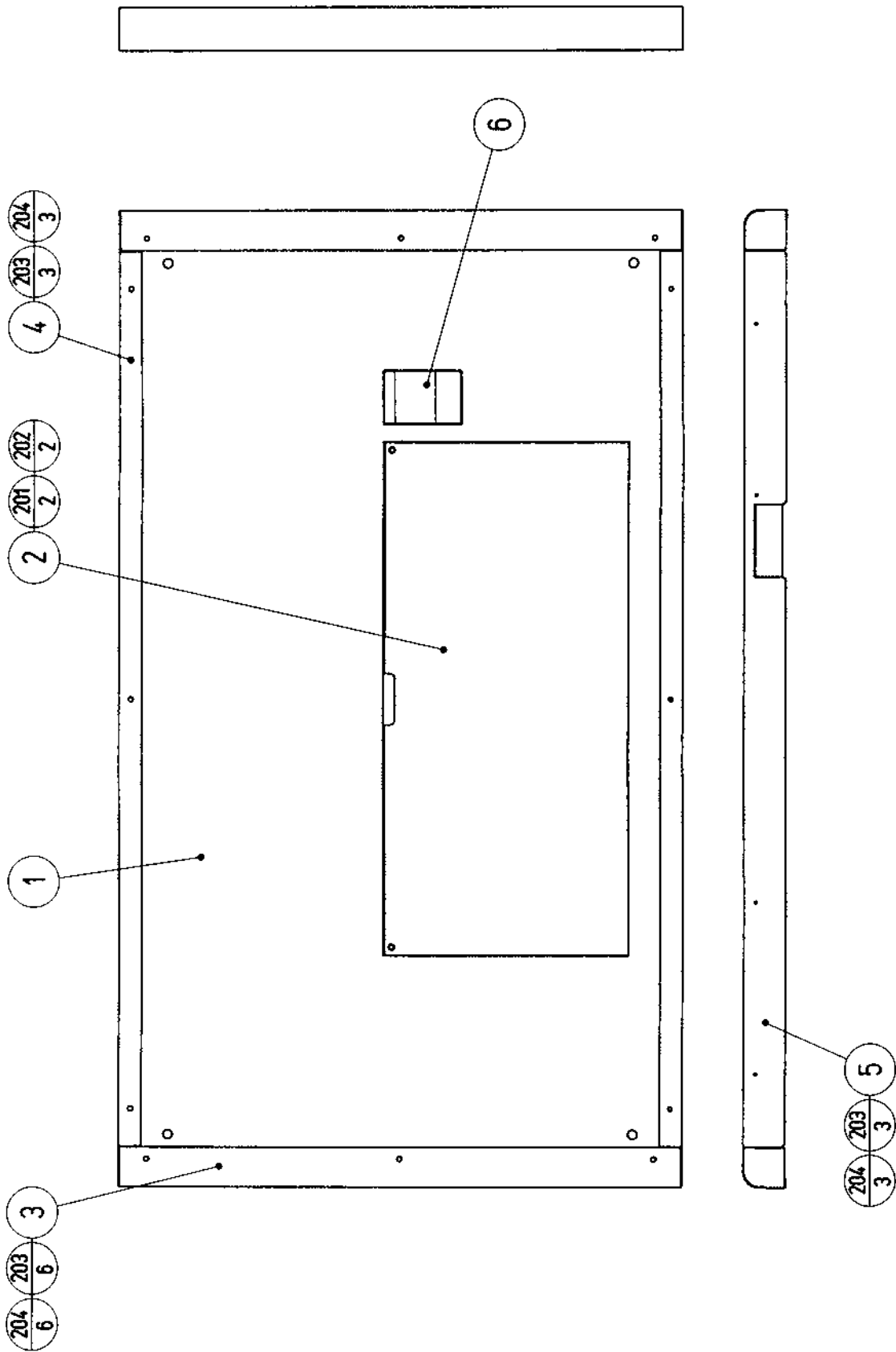
①⑥ ASSY MASK (MGL-1150)



ITEM NO.	PART NO.	DESCRIPTION	NOTE
1	MGL-1102	TV MASK	
2	MGL-1151	SLIT PLATE	
3	MGL-1152	MASK SIDE HOLDER	
201	012-F00408-0B	TAP SCR FH BLK 4×8	
202	000-F00410	M SCR FH M4×10	

17 ASSY FRONT PANEL (ATR-1300)

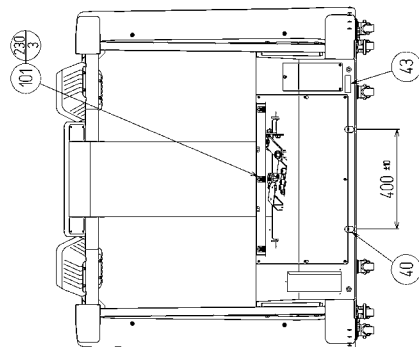
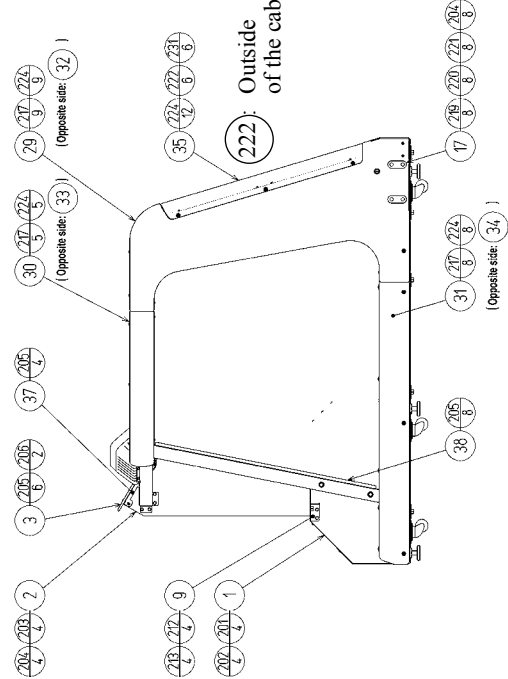
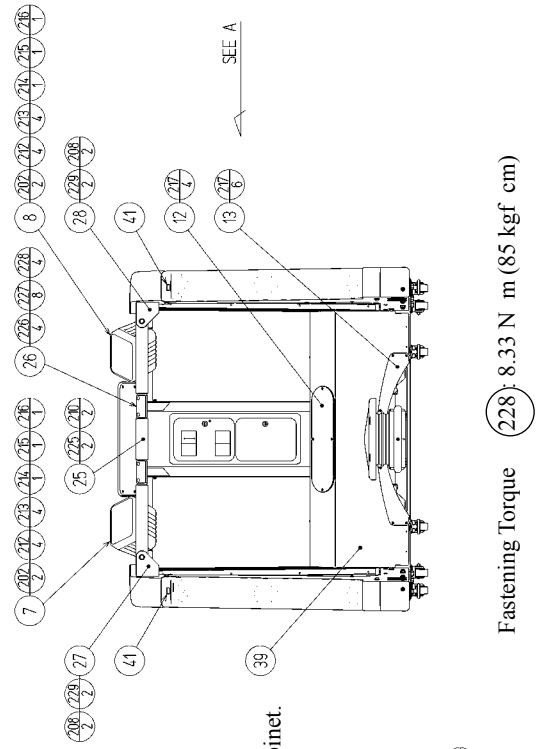
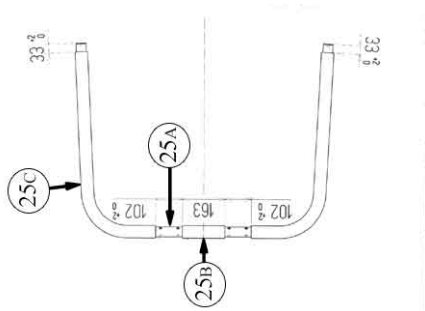
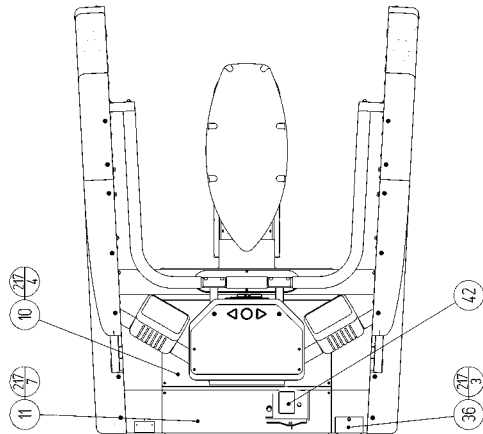
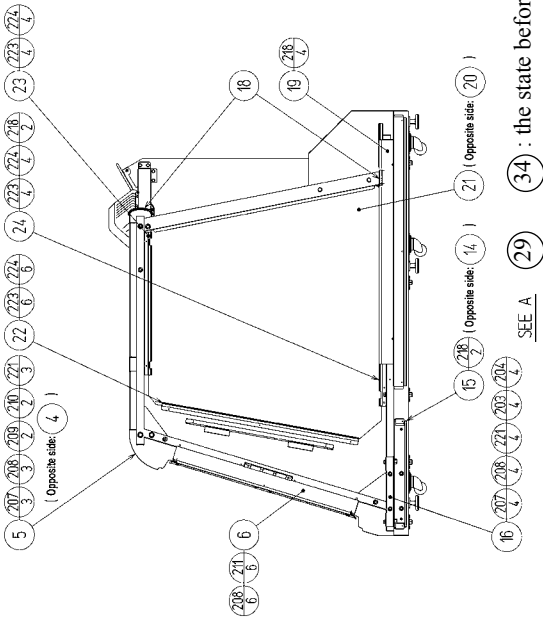
(D-1/2)



①7 ASSY FRONT PANEL (ATR-1300)

(D-2/2)

ITEM NO.	PART NO.	DESCRIPTION	NOTE
1	ATR-1301	FRONT PANEL	
2	ATR-1302	FRONT LID	
3	EZT-0603	SIDE BRKT	
4	EZT-0604	BRKT UPPER	
5	ATR-1303	BRKT LOWER	
6	440-WS0002XEG	STICKER W POWER OFF ENG	
201	000-T00420-0B	M SCR TH BLK M4×20	
202	068-441616-0B	FLT WSHR BLK 4.4-16×1.6	
203	050-F00500	FLG NUT M5	
204	068-552016	FLT WSHR 5.5-20 ×1.6	



Fastening Torque (228): 8.33 N m (85 kgf cm)

⑱ ASSY REAR CABI (SSF-3000)

(D-2/3)

ITEM NO.	PART NO.	DESCRIPTION	NOTE
1	SSF-3100	ASSY REAR BASE	
2	/	COIN TOWER (HAPP CONTROLS)	
3	SSF-3580	ASSY CONTROL PANEL	
4	SSF-3600	ASSY SIDE WALL L	
5	SSF-3650	ASSY SIDE WALL R	
6	/	LAMP UNIT	
7	SSF-3700	ASSY SPEAKER L	
8	SSF-3750	ASSY SPEAKER R	
9	SSF-3001	CABINET LIB	
10	SSF-3002	TOWER BASE	
11	SSF-3003	BACK DOOR	
12	SSF-3004	VOLUME LID	
13	SSF-3005	SWING ARM PLATE	
14	SSF-3006	FRAME SUPPORT BRKT A L	
15	SSF-3007	FRAME SUPPORT BRKT A R	
16	SSF-3008	FRAME SUPPORT BRKT B	
17	SSF-3009	WALL SUPPORT PLATE	
18	SSF-3010	CUSHION SPONGE	
19	SSF-3011	LOWER COVER SUPPORT	
20	SSF-3012	SIDE WINDOW L	
21	SSF-3013	SIDE WINDOW R	
22	SSF-3014	INNER SASH A	
23	SSF-3015	INNER SASH B	
24	SSF-3016	INNER SASH C	
25	SSF-3017	PIPE FRAME	
25A	SSF-3017-A	PIPE FRAME BLANK	
25B	SSF-3017-B	CUSHION TUBE CENTER	
25C	SSF-3017-C	CUSHION TUBE SIDE	
26	ATR-3008	PIPE SUPPORT BRKT	
27	SSF-3018	PIPE HOLDER L	
28	SSF-3019	PIPE HOLDER R	
29	SSF-3020	SIDE COVER L A	
30	SSF-3021	SIDE COVER L B	
31	SSF-3022	SIDE COVER L C	
32	SSF-3023	SIDE COVER R A	
33	SSF-3024	SIDE COVER R B	
34	SSF-3025	SIDE COVER R C	
35	SSF-3026	LAMP COVER	
36	SSF-3027	WIRE LID	
37	SSF-3028	CONTROL PANEL HOLDER	
38	SSF-3029	WINDOW OUTER SASH	
39	SSF-3030	STICKER BOX LOWER	
40	421-11416	STICKER CAUTION FORK	
41	440-WS0166-EG	STICKER W HI VOLT M ENG	
42	440-WS0047-EG	STICKER W FINGER GEAR ENG	
101	280-5009-01	CORD CLAMP 21	

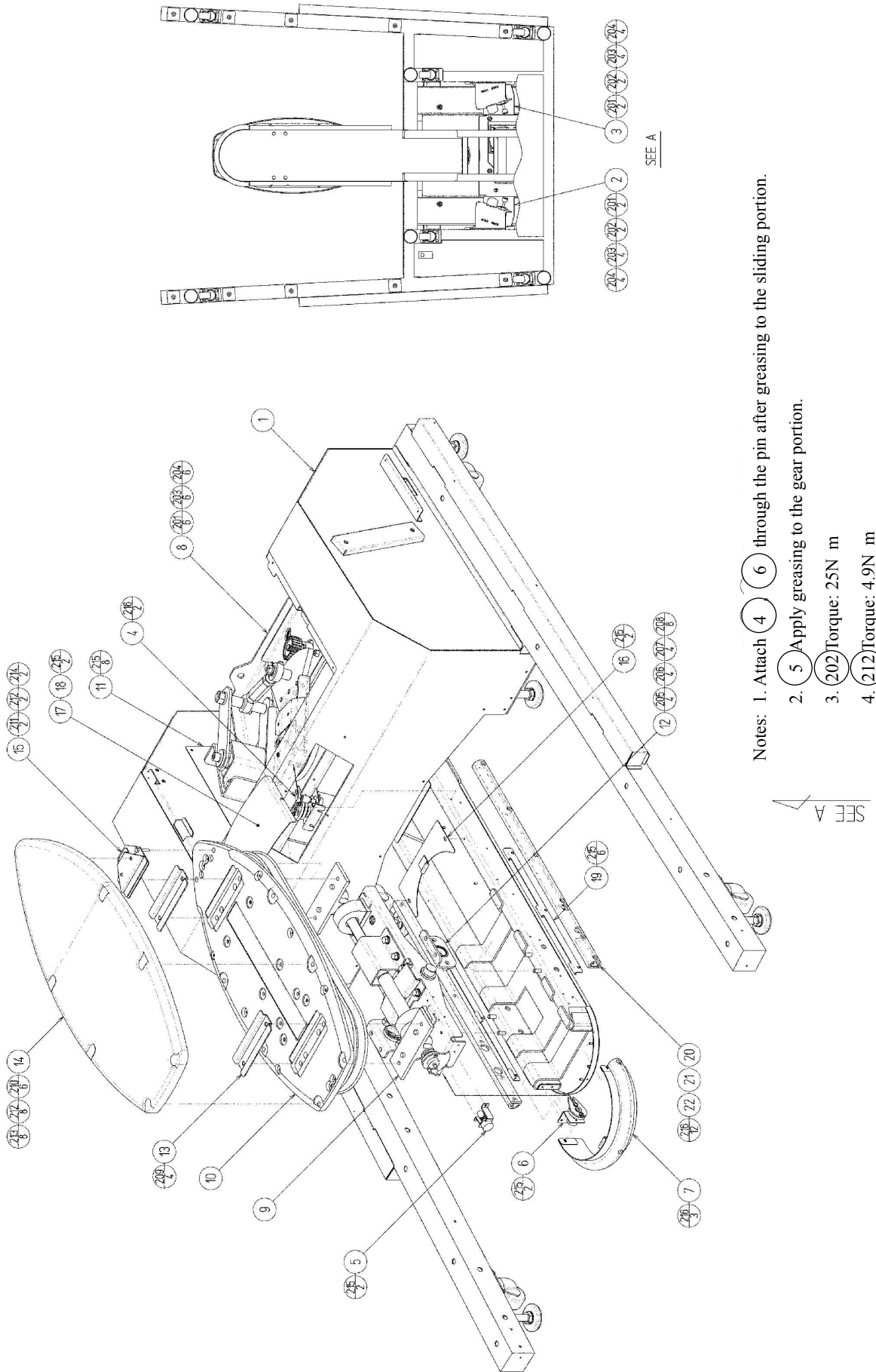
18 ASSY REAR CABI (SSF-3000)

(D-3/3)

ITEM NO.	PART NO.	DESCRIPTION	NOTE
201	030-000630-SB	HEX BLT BLK W/S M6×30	
202	068-652016-0B	FLT WSHR BLK 6.5-20×1.6	
203	030-000820-S	HEX BLT W/S M8×20	
204	060-F00800	FLT WSHR M8	
205	000-T00416-0C	M SCR TH CRM M4×16	
206	068-441616-0C	FLT WSHR CRM 4.4-16×1.6	
207	FAS-300032	HEX BLT BLK M8×110	
208	068-852216	FLT WSHR 8.5-22 ×1.6	
209	FAS-300008	HEX BLT W/S CRM M8×50	
210	068-852216-0C	FLAT WSHR CRM 8.5-22×1.6	
211	030-000845-S	HEX BLT W/S M8×45	
212	030-000616-SB	HEX BLT W/S BLK M6×16	
213	060-F00600-0B	FLT WSHR BLK M6	
214	FAS-300029	HEX BLT W/S M6×60	
215	FAS-300033	HEX BLT M6×80	
216	060-S00600	SPR WSHR M6	
217	000-T00410-0B	M SCR TH BLK M4×10	
218	000-P00416-W	M SCR PH W/FS M4×16	
219	FAS-310004	CRG BLT BLK M8×90	
220	050-H00800	HEX NUT M8	
221	060-S00800	SPR WSHR M8	
222	060-T00416-0B	M SCR TH BLK M4×16	
223	000-T00420-0B	M SCR TH BLK M4×20	
224	068-441616-0B	FLT WSHR BLK 4.4-16×1.6	
225	008-B00820-0C	TMP PRF SCR BH CRM M8×20	
226	031-000650-0C	CRG BLT CRM M6×50	
227	069-0140	FLT WSHR NI M6	
228	059-0082	CUP NUT TYPE 3 CRM M6	
229	030-000880-S	HEX BLT W/S M8×80	
230	000-F00312	M SCR FH M3×12	
231	FAS-000083	M SCR TH BLK M4×22	

19 ASSY REAR BASE (SSF-3100)

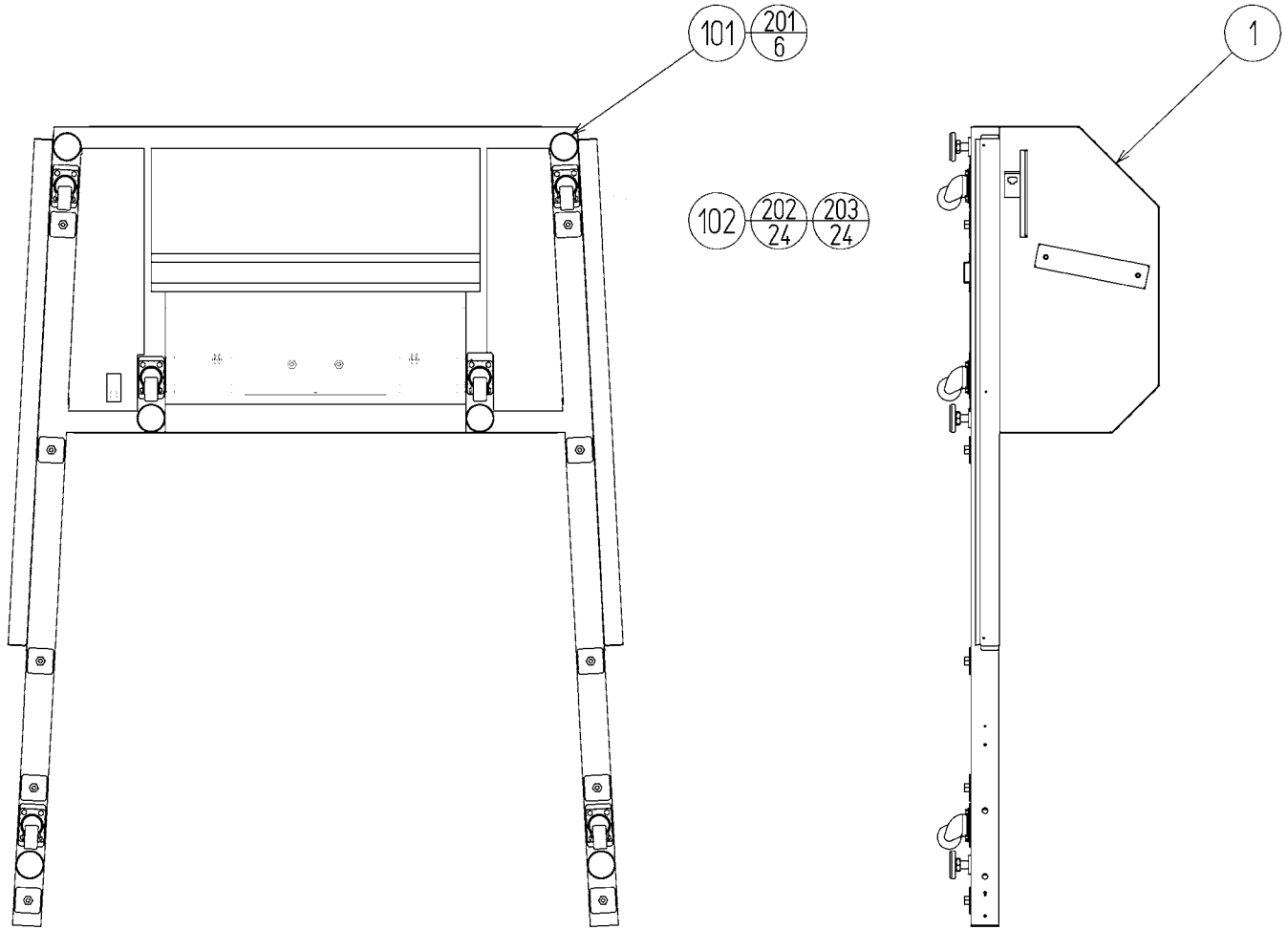
(D-1/2)



- Notes:
1. Attach **4** **6** through the pin after greasing to the sliding portion.
 2. **5** Apply greasing to the gear portion.
 3. **20** Torque: 25N m
 4. **21** Torque: 4.9N m

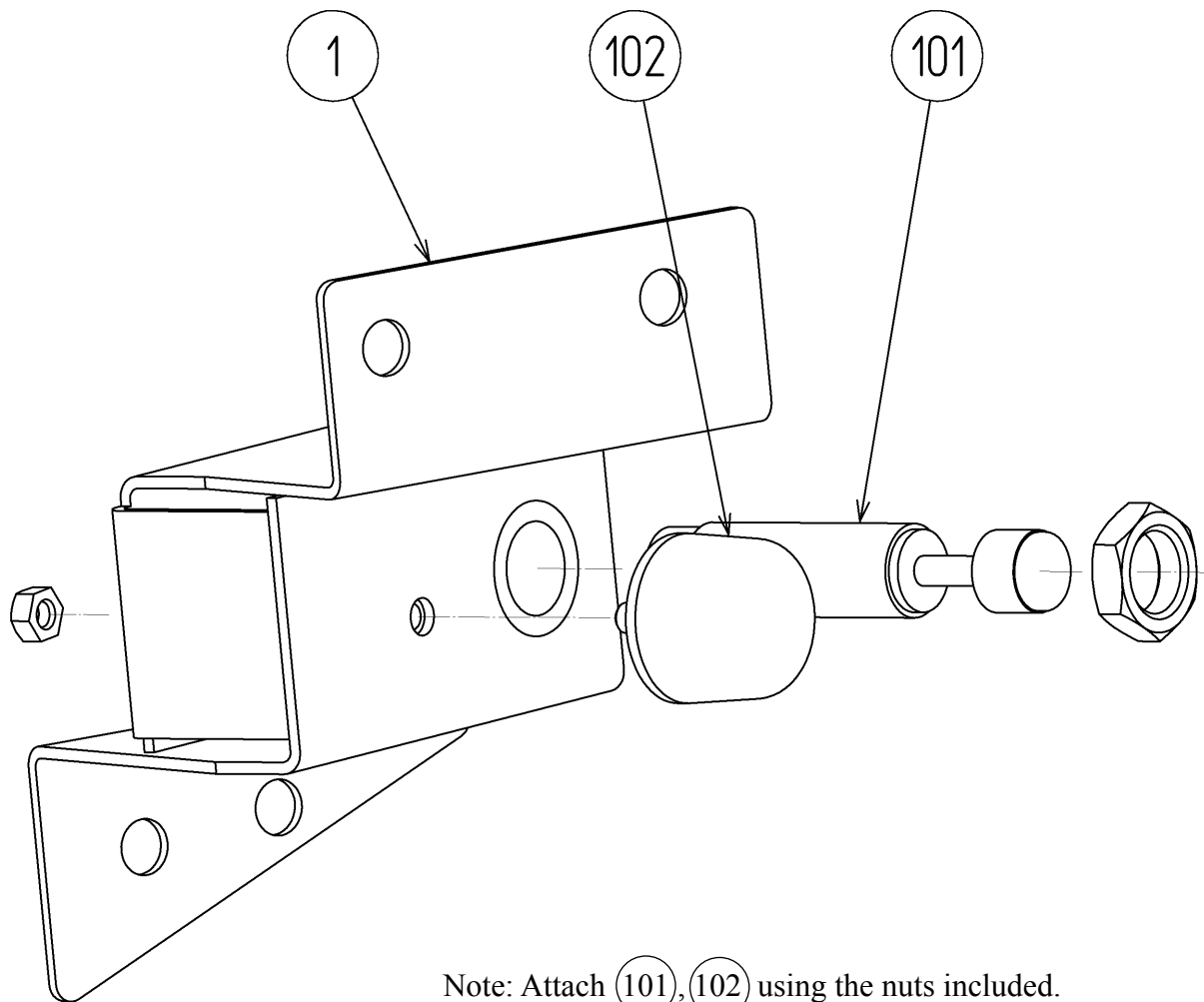
ITEM NO.	PART NO.	DESCRIPTION	NOTE
1	SSF-3101	ASSY SUBCABI REAR	
2	SSF-3140	ASSY SHOCK ABSORBER L	
3	SSF-3150	ASSY SHOCK ABSORBER R	
4	SSF-3160	SWING VR UNIT	
5	SSF-3170	ROLL VR UNIT	
6	SSF-3180	PITCH VR UNIT	
7	SSF-3190	ASSY TALE COVER	
8	SSF-3200	ASSY SWING MECHA	
9	SSF-3300	ASSY BOARD MECHA	
10	SSF-3400	ASSY BOARD	
11	SSF-3103	INNER LID	
12	SSF-3104	MECHA HANGER	
13	SSF-3105	BOARD HOLDER	
14	SSF-3106	BOARD COVER	
15	SSF-3107	NOSE BRKT	
16	SSF-3108	NOSE HOOK	
17	SSF-3109	CAUTION LID	
17A	S210-104-000	COVER PINCH POINT (GRAND PRODUCTS)	
18	SSF-3110	STICKER CAUTION LID	
19	SSF-3111	BELLOWS SASH	
20	SSF-3112	CUSHION RUBBER SIDE	
21	SSF-3113	RUBBER PLATE	
22	SSF-3114	RUBBER PLATE SHORT	
101	280-5009-01	CORD CLAMP 21	
102	280-5169	CORD CLAMP TL-20S	
201	FAS-200040	HEX SKT CAP SCR BLK OZ M12×35	
202	FAS-200018	HEX SKT CAP SCR BLK OZ M12×85	
203	060-S01200	SPR WSHR M12	
204	060-F01200	FLT WSHR M12	
205	050-H00800	HEX NUT M8	
206	060-S00800	SPR WSHR M8	
207	030-000845-SB	HEX BLT W/S BLK M8×45	
208	060-F00800-0B	FLT WSHR BLK M8	
209	030-000830-S	HEX BLT W/S M8×30	
210	031-000630-0C	CRG BLT CRM M6×30	
211	031-000620-0C	CRG BLT CRM M6×20	
212	050-U00600	U NUT M6	
213	068-652016	FLT WSHR 6.5-20 ×1.6	
214	060-F00600	FLT WSHR M6	
215	000-P00408-WB	M SCR PH W/FS BLK M4×8	
216	000-P00412-WB	M SCR PH W/FS BLK M4×12	
217	000-P00408	M SCR PH M4×8	
218	060-S00400	SPR WSHR M4	
219	060-F00400	FLT WSHR M4	
301	SSF-60030	WH EXT LAMP REAR	
302	SSF-60031	WH EXT LAMP L A	
303	SSF-60032	WH EXT BRAKE REAR A	
304	SSF-60033	WH EXT VR REAR	
305	SSF-60034	WH EXT SOUND REAR	
306	SSF-60035	WH EXT TOWER REAR	
307	SSF-60036	WH EXT SW REAR	
308	SSF-60037	WH EXT MAT	

20 ASSY SUBCABI REAR (SSF-3101)



ITEM NO.	PART NO.	DESCRIPTION	NOTE
1	SSF-3102	REAR BASE FRAME	
101	601-5882	LEG ADJUSTER	
102	601-6056-01	CASTER 50 PH	
201	050-H01600-3	HEX NUT TYPE3 M16	
202	030-000620-S	HEX BLT W/S M6×20	
203	060-F00600	FLT WSHR M6	

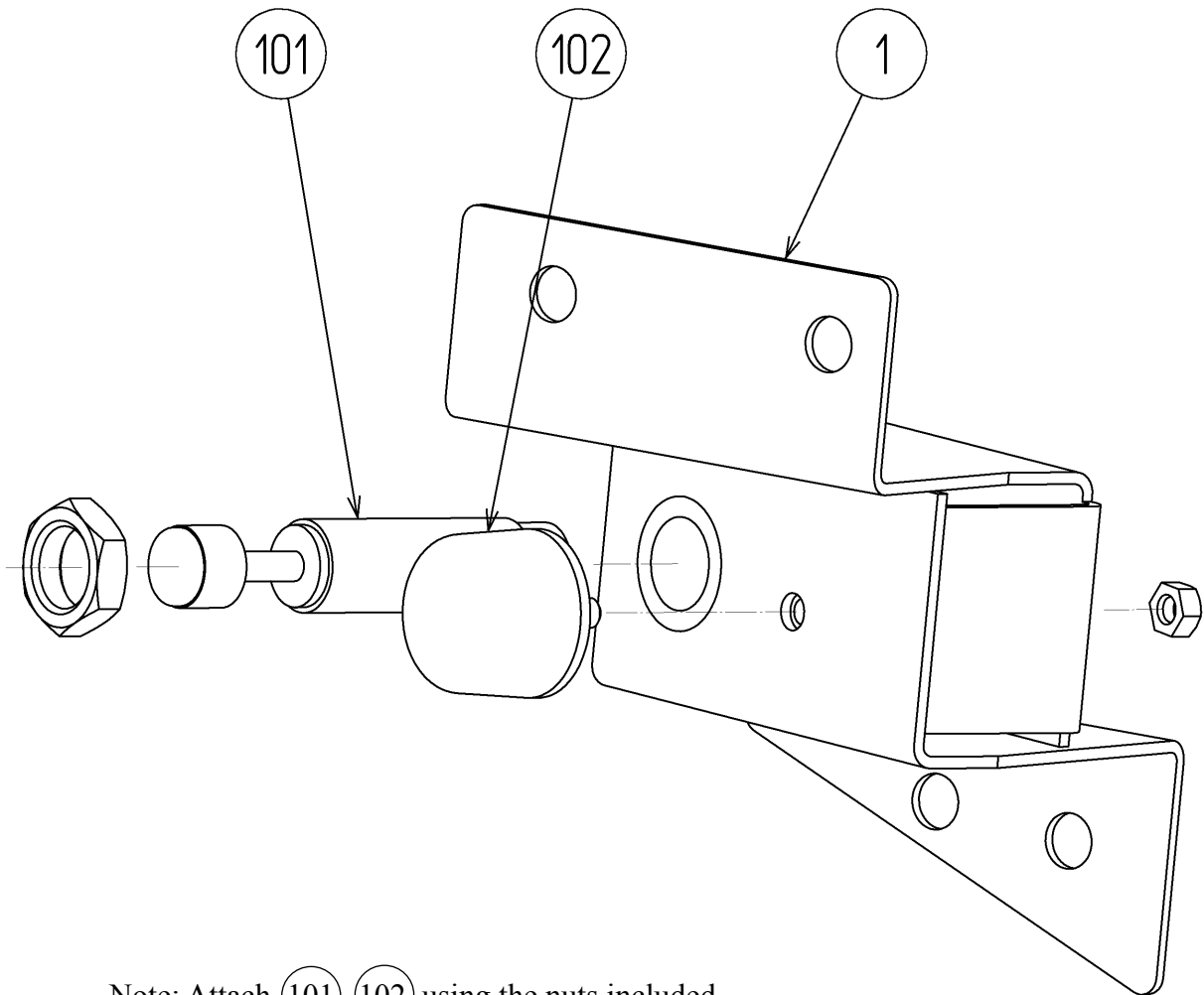
②① ASSY SHOCK ABSORBER L (SSF-3140)



Note: Attach ①①, ①② using the nuts included.

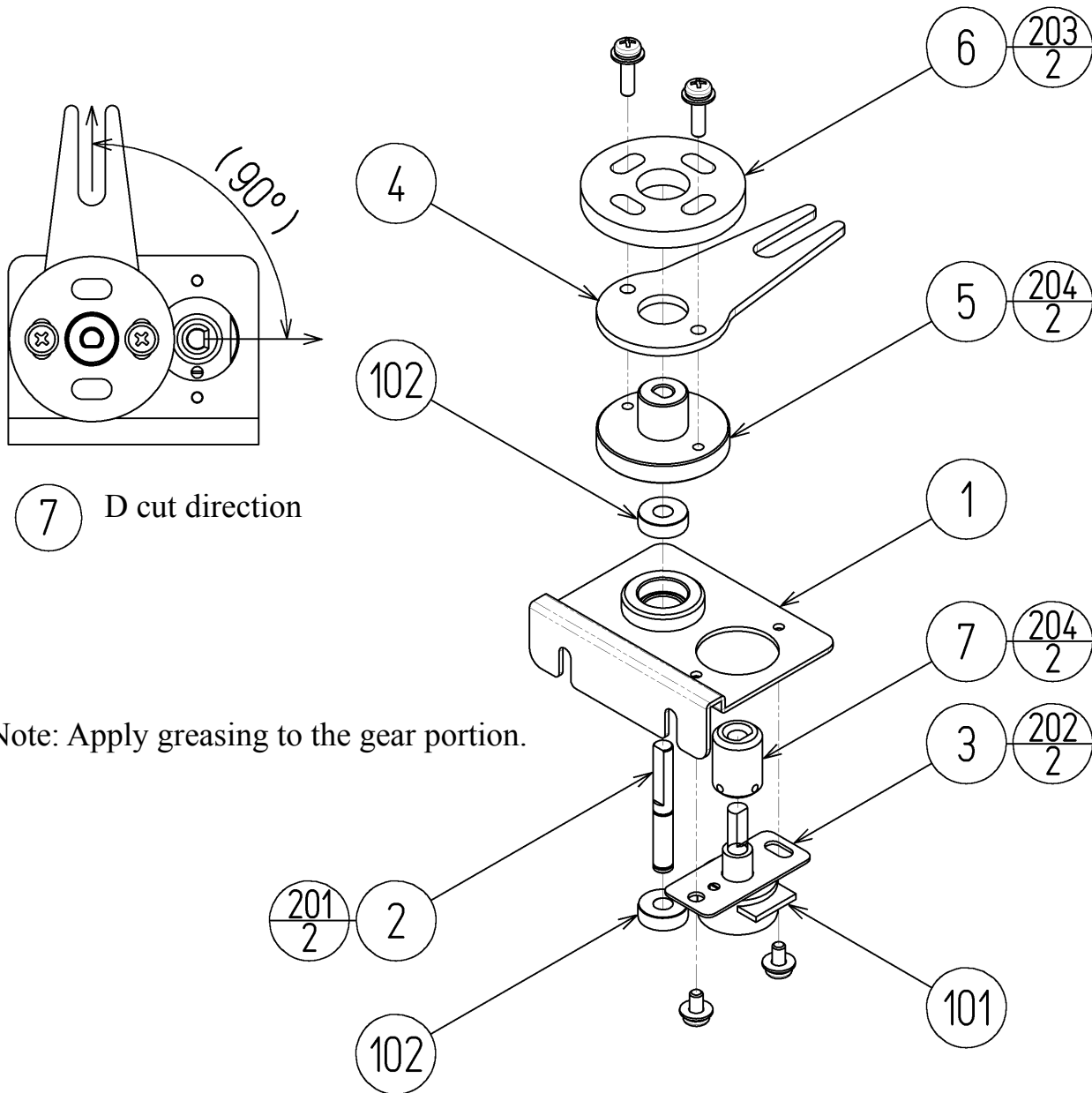
ITEM NO.	PART NO.	DESCRIPTION	NOTE
1	SSF-3141	STOPPER BASE L	
101	601-11144	SHOCK ABSORBER SSF	Use the nuts included (and discard the spring washers).
102	601-11146	STOPPER RUBBER RI-45HD L=19.1	

②② ASSY SHOCK ABSORBER R (SSF-3150)



Note: Attach ①①, ①② using the nuts included.

ITEM NO.	PART NO.	DESCRIPTION	NOTE
1	SSF-3151	STOPPER BASE R	
101	601-11144	SHOCK ABSORBER SSF	
102	601-11146	STOPPER RUBBER RI-45HD L=19.1	Use the nuts included (and discard the spring washers).

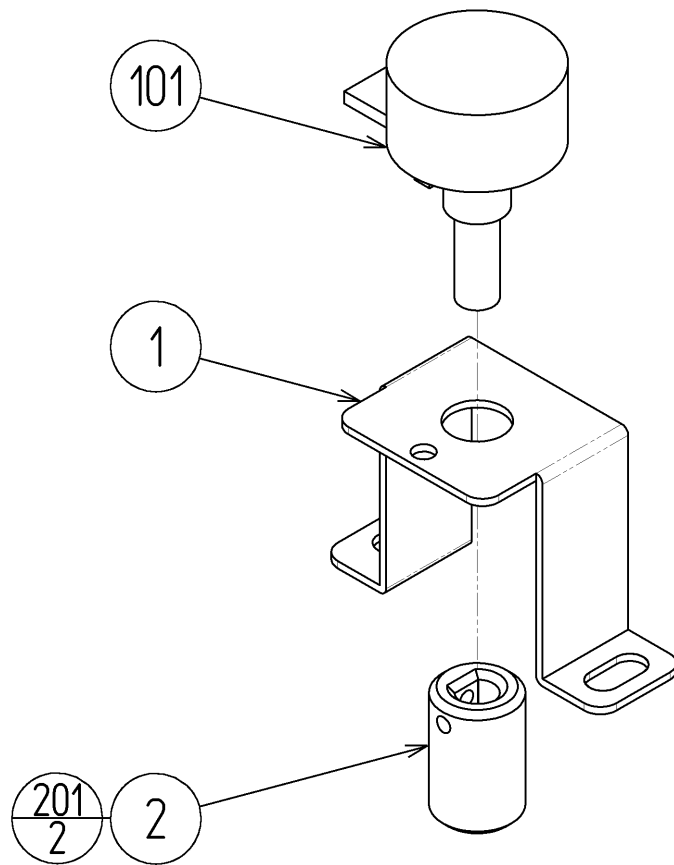


②③ SWING VR UNIT (SSF-3160)

(D-2/2)

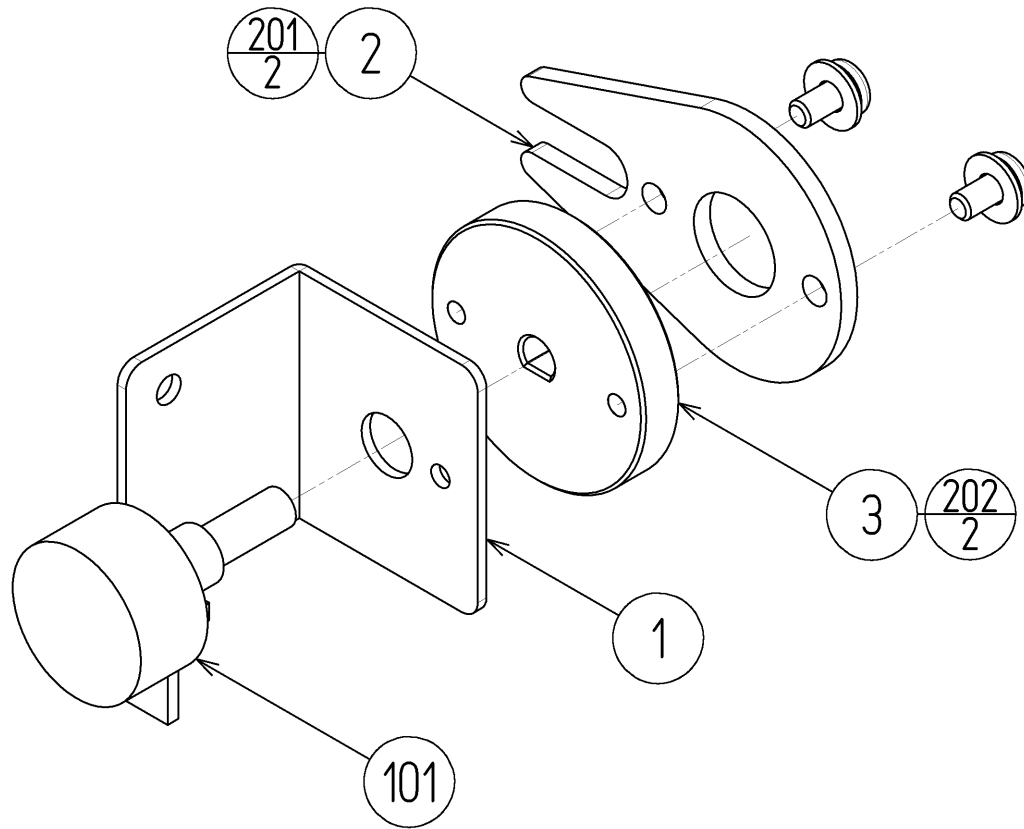
ITEM NO.	PART NO.	DESCRIPTION	NOTE
1	SSF-3161	SWING VR BRKT	
2	SSF-3162	SWING VR PIN	
3	SSF-3163	SWING VR PLATE	
4	SSF-3164	SWING VR GUIDE	
5	601-8966	GEAR HOLDER	
6	601-6959	GEAR 64	
7	601-7945	GEAR 20	
101	220-5484	VOL CONT B-5K OHM	
	220-5753	VOL CONT B-5K OHM	
102	100-5257	BEARING FAI6	
103	310-5029-F20	SUMITUBE F F 20MM	
201	065-E00500	E RING 5MM	
202	000-P00408-W	M SCR PH W/FS M4×8	
203	000-P00416-W	M SCR PH W/FS M4×16	
204	028-A00306-P	SET SCR HEX SKT CUP P M3×6	
301	SSF-60051	WH SWING VR	

②④ ROLL VR UNIT (SSF-3170)



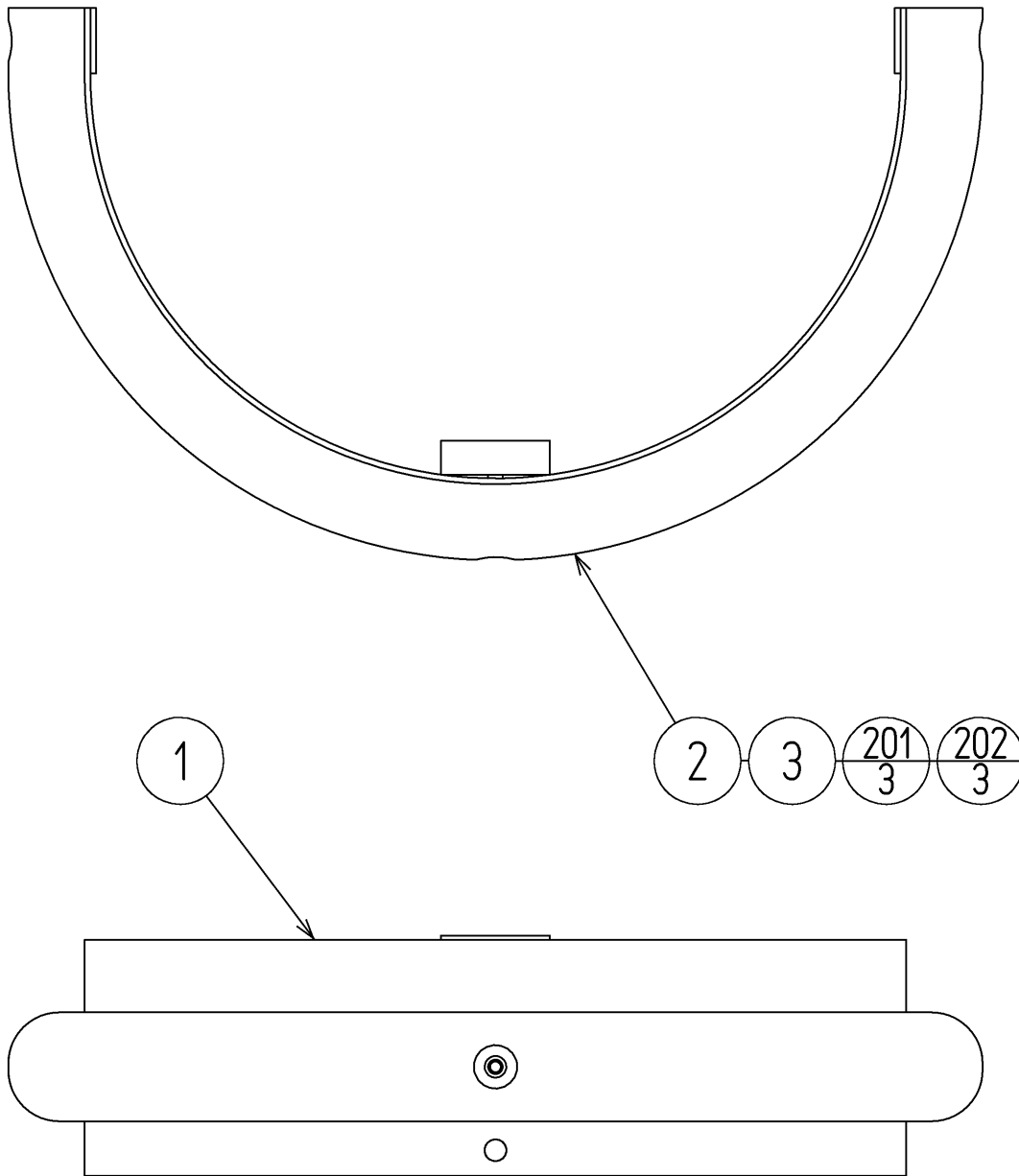
ITEM NO.	PART NO.	DESCRIPTION	NOTE
1	SSF-3171	ROLL VR BRKT	
2	601-7944	GEAR 15	
101	220-5484	VOL CONT B-5K OHM	
	220-5753	VOL CONT B-5K OHM	
102	310-5029-F20	SUMITUBE F F 20MM	
201	028-A00306-P	SET SCR HEX SKT CUP P M3×6	
301	SSF-60052	WH ROLL VR	

②5 PITCH VR UNIT (SSF-3180)

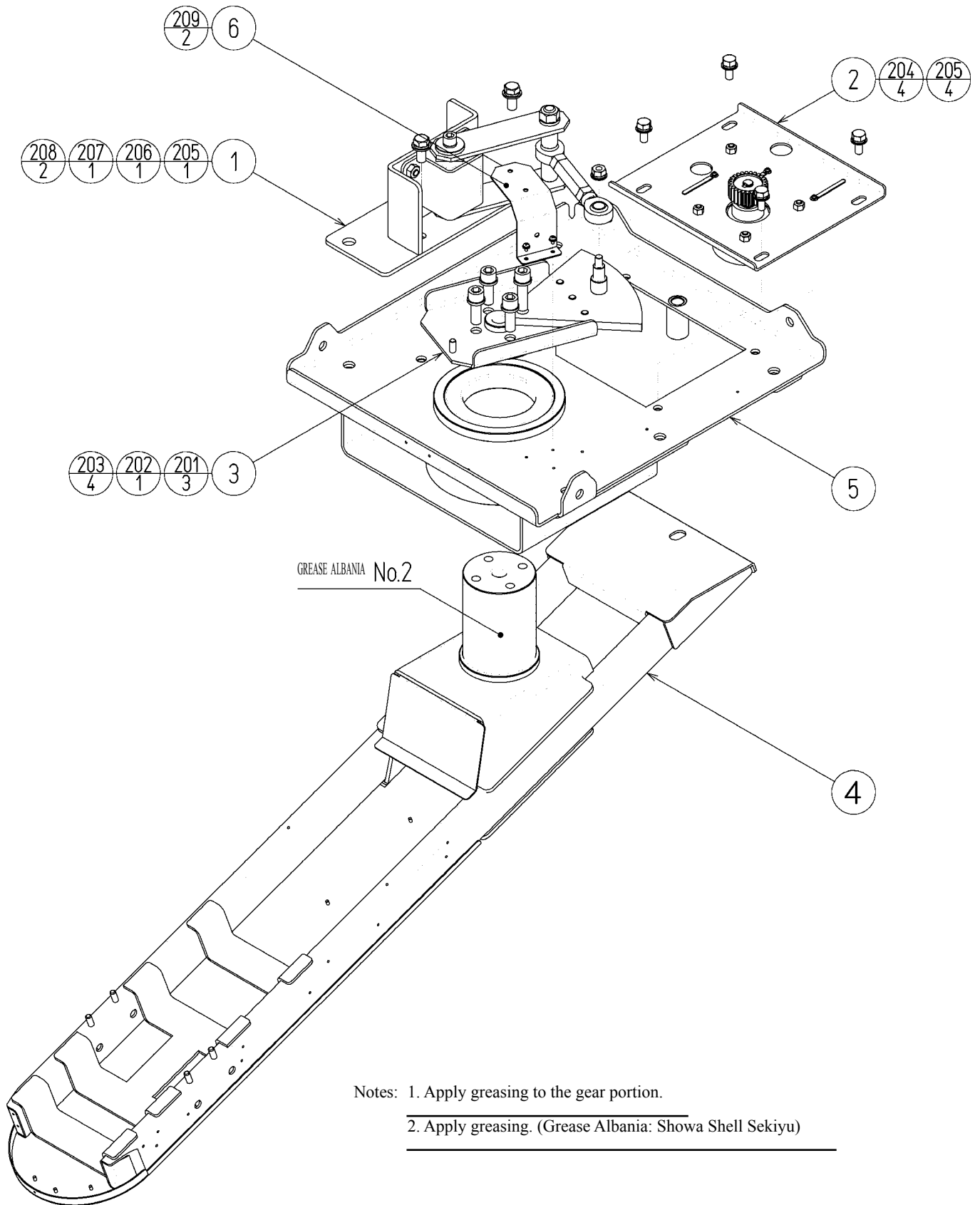


ITEM NO.	PART NO.	DESCRIPTION	NOTE
1	SSF-3181	PITCH VR BRKT	
2	SSF-3182	PITCH VR GUIDE	
3	SSF-3183	PITCH VR HOLDER	
101	220-5484	VOL CONT B-5K OHM	
	220-5753	VOL CONT B-5K OHM	
102	310-5029-F12	SUMITUBE F F 12MM	
201	000-P00410-W	M SCR PH W/FS M4×10	
202	028-A00306-P	SET SCR HEX SKT CUP P M3×6	
301	SSF-60053	WH PITCH VR	

②⑥ ASSY TALE COVER (SSF-3190)



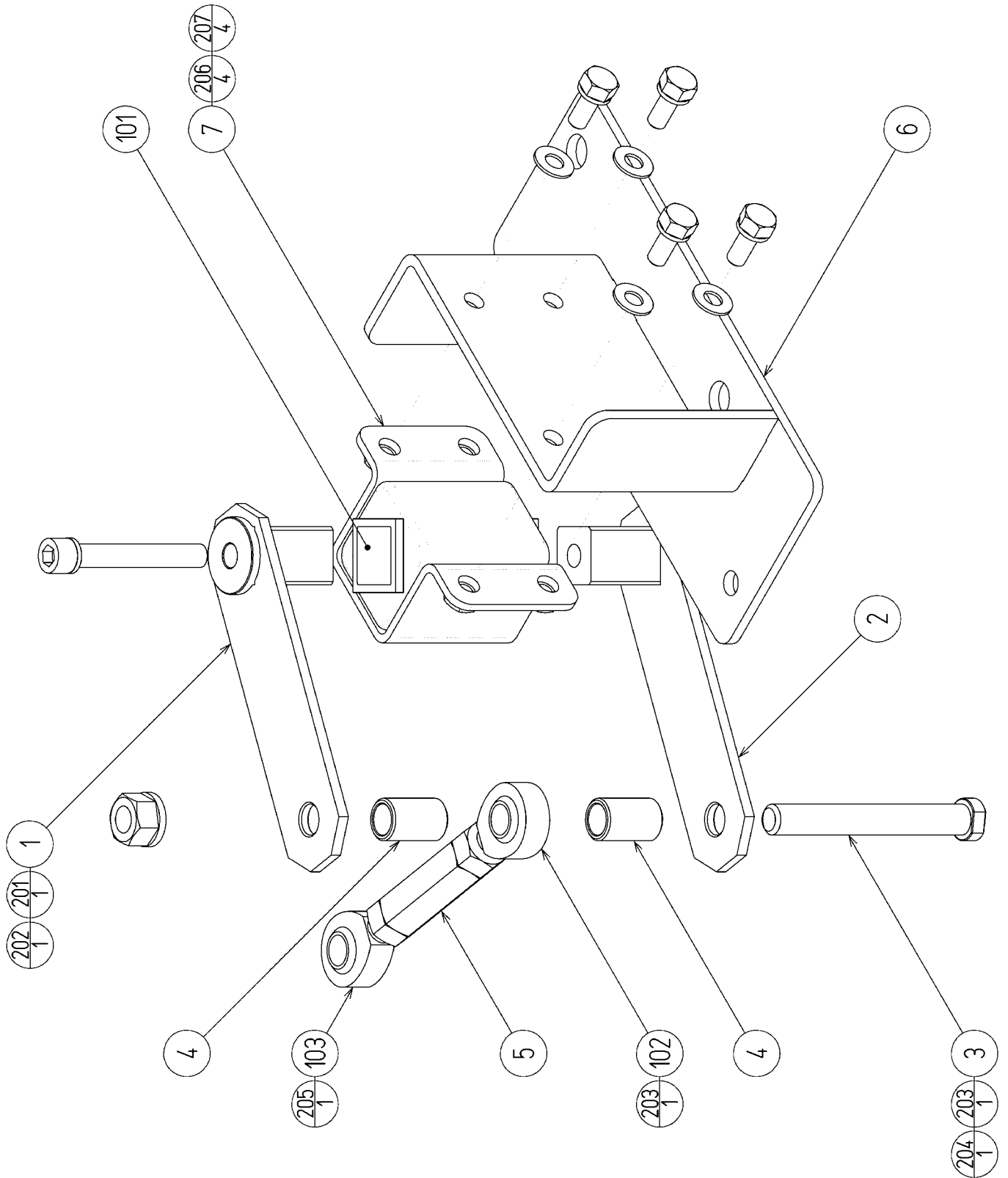
ITEM NO.	PART NO.	DESCRIPTION	NOTE
1	SSF-3191	TALE LID	
2	SSF-3192	CUSHION RUBBER TALE	
3	280-6622-50040	SPACER TUBE	
201	050-U00400	U NUT M4	
202	068-441616-0B	FLT WSHR BLK 4.4-16×1.6	



27 ASSY SWING MECHA (SSF-3200)

(D-2/2)

ITEM NO.	PART NO.	DESCRIPTION	NOTE
1	SSF-3230	ASSY ROSTA	
2	SSF-3250	ASSY BRAKE	
3	SSF-3270	ASSY GEAR	
4	SSF-3201	SWING FRAME	
5	SSF-3202	SWING BASE	
6	SSF-3203	WIRE GUARD	
101	280-5169	CORD CLAMP TL-20S	
102	280-0419	HARNESS LUG	
201	FAS-200005	HEX SKT H CAP SCR B 0Z M14×40	
202	FAS-200026	HEX SKT CAP SCR BLK OZ M14×50	
203	060-S01400	SPR WSHR M14	
204	030-001025-S	HEX BLT W/S M10×25	
205	060-F01000	FLT WSHR M10	
206	060-S01000	SPR WSHR M10	
207	050-H01000	HEX NUT M10	
208	FAS-300034	HEX BLT W/S M12×30	
209	000-P00408-W	M SCR PH W/FS M4×8	
210	000-P00408	M SCR PH M4×8	
211	060-S00400	SPR WSHR M4	
212	060-F00400	FLT WSHR M4	
213	050-F00400	FLG NUT M4	
214	050-H00400	HEX NUT M4	
301	SSF-60041	WH EXT BRAKE REAR B	
302	SSF-60042	WH EXT SWING VR	
303	SSF-60043	WH EXT MECHA VR	
304	600-6972-0850	WIRE HARN EARTH ID5 0850MM	

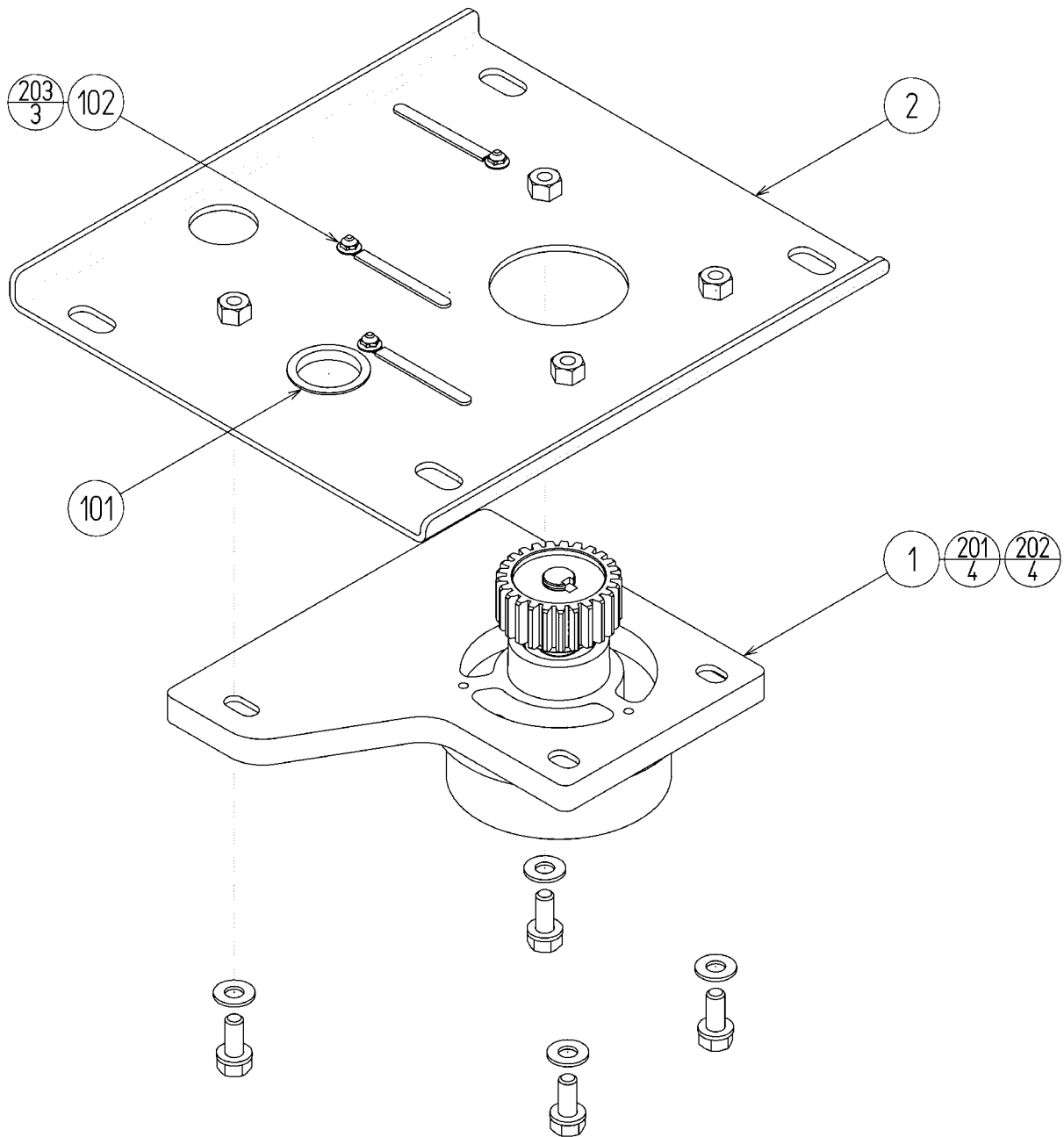


②8 ASSY ROSTA (SSF-3230)

(D-2/2)

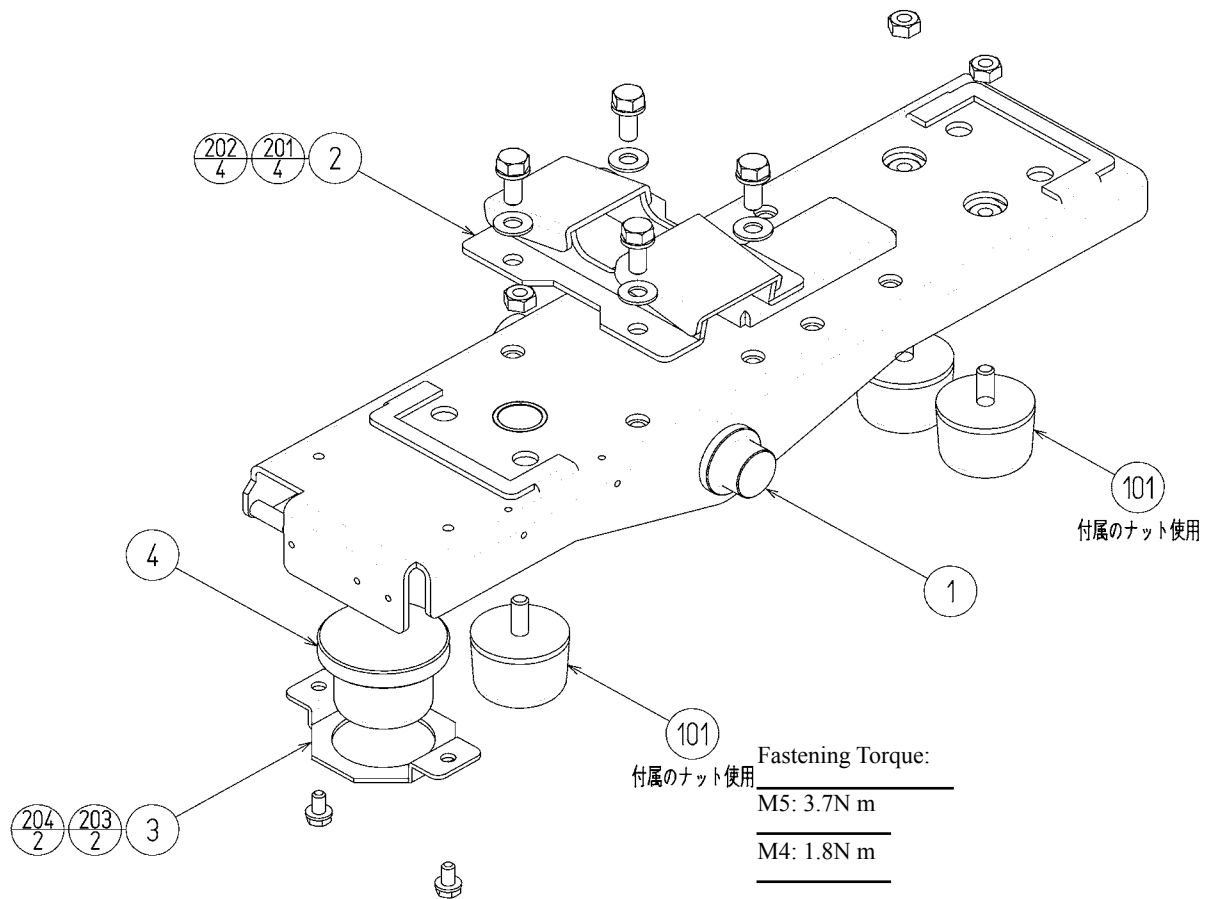
ITEM NO.	PART NO.	DESCRIPTION	NOTE
1	SSF-3231	SWING ROSTA ARM UPPER	
2	SSF-3232	SWING ROSTA ARM LOWER	
3	SSF-3233	SWING ARM PIN	
4	SSF-3234	ARM PIN COLLAR	
5	SSF-3235	SWING LINK SHAFT	
6	SSF-3236	SWING ROSTA BASE	
7	SSF-3237	SWING ROSTA HOLDER	
101	601-11147	ROSTA DR-S-38×80	
102	111-0049	ROD END 16 (POS 16)	
103	111-1133	ROD END 16 (POS 16 L)	
201	FAS-200018	HEX SKT CAP SCR BLK 0Z M12×85	
202	060-S01200	SPR WSHR M12	
203	050-H01600	HEX NUT M16	
204	060-S01600	SPR WSHR M16	
205	FAS-500034	HEX NUT L M16	
206	030-001025-S	HEX BLT W/S M10×25	
207	060-F01000	FLT WSHR M10	

29) ASSY BRAKE (SSF-3250)



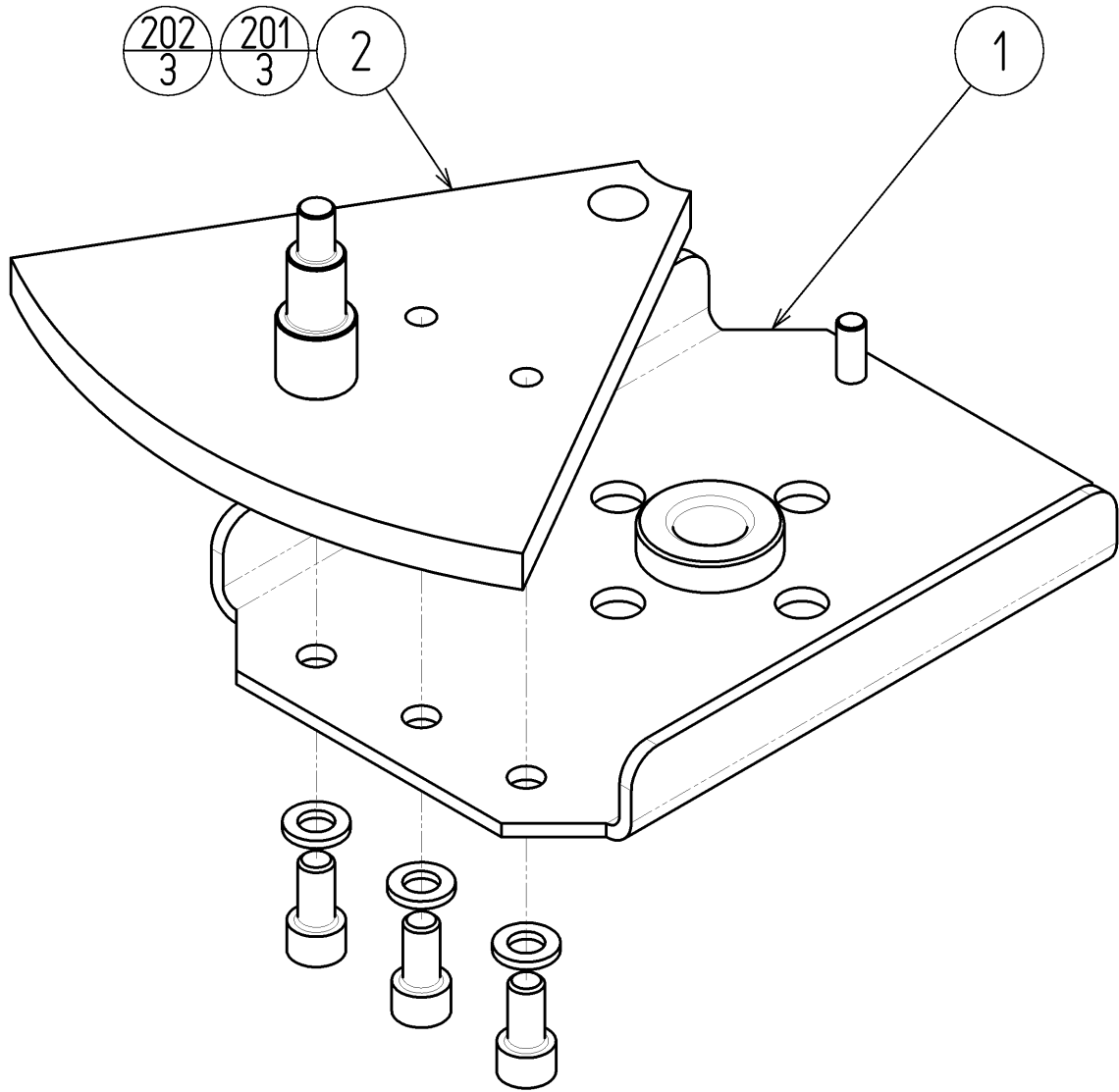
ITEM NO.	PART NO.	DESCRIPTION	NOTE
1	ATR-3350	BRAKE UNIT	
2	SSF-3251	BRAKE BASE	
101	601-5962-094	BUSH 3.2T	
102	280-0419	HARNES LUG	
201	030-000820-S	HEX BLT W/S M8×20	
202	060-F00800	FLT WSHR M8	
203	050-F00400	FLG NUT M4	

30 BRAKE UNIT (ATR-3350)



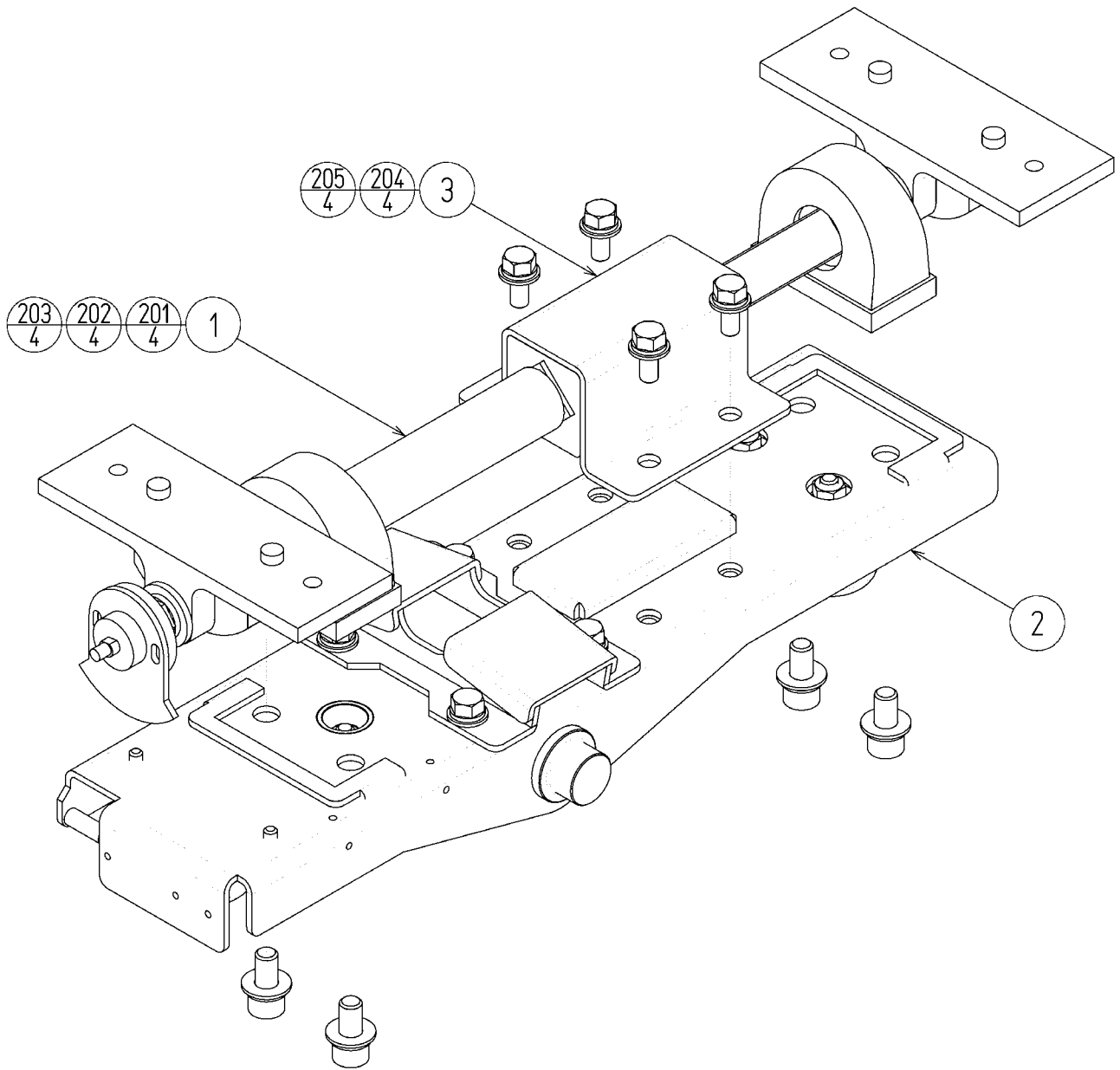
ITEM NO.	PART NO.	DESCRIPTION	NOTE
1	ATR-3351	BRAKE BASE	
2	ASL-3352	PINION GEAR 25	
3	ATR-3353	BRAKE SHAFT	
4	ASL-3354	KEY 5×5×24	
5	ASK-3606	KEY 5×5-10.5	
101	601-10806	BRAKE BXH-08	
102	100-5229	BEARING 17	
201	020-000530-OZ	HEX SKT H CAP SCR BLK OZ M5×30	
202	060-S00500	SPR WSHR M5	
203	065-S014S0-Z	STP RING BLK OZ S14	
204	065-A030H0-Z	STP RING BLK OZ H30	
205	028-A00408-P	SET SCR HEX SKT CUP P M4×8	

③① ASSY GEAR (SSF-3270)

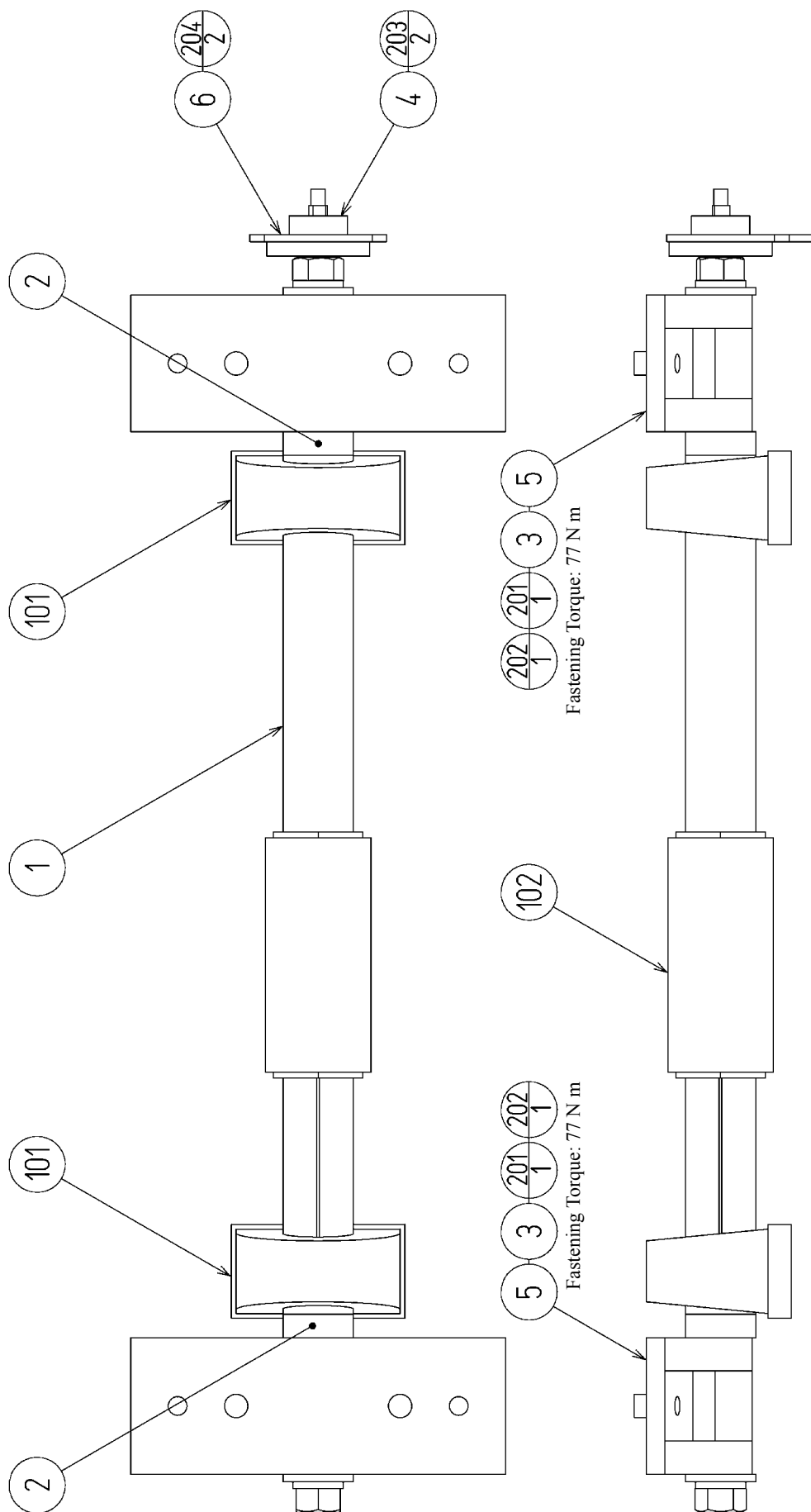


ITEM NO.	PART NO.	DESCRIPTION	NOTE
1	SSF-3271	SWING GEAR HOLDER	
2	SSF-3272	SWING GEAR	
201	020-001020-0Z	HEX SKT CAP SCR BLK 0Z M10×20	
202	060-S01000	SPR WSHR M10	

32 ASSY BOARD MECHA (SSF-3300)



ITEM NO.	PART NO.	DESCRIPTION	NOTE
1	SSF-3330	ASSY ROLL SHAFT	
2	SSF-3350	ASSY PITCH BASE	
3	SSF-3301	ROLL ROSTA HOLDER	
201	020-001020-0Z	HEX SKT CAP SCR BLK 0Z M10×20	
202	060-S01000	SPR WSHR M10	
203	060-F01000	FLT WSHR M10	
204	030-000820-S	HEX BLT W/S M8×20	
205	060-F00800	FLT WSHR M8	

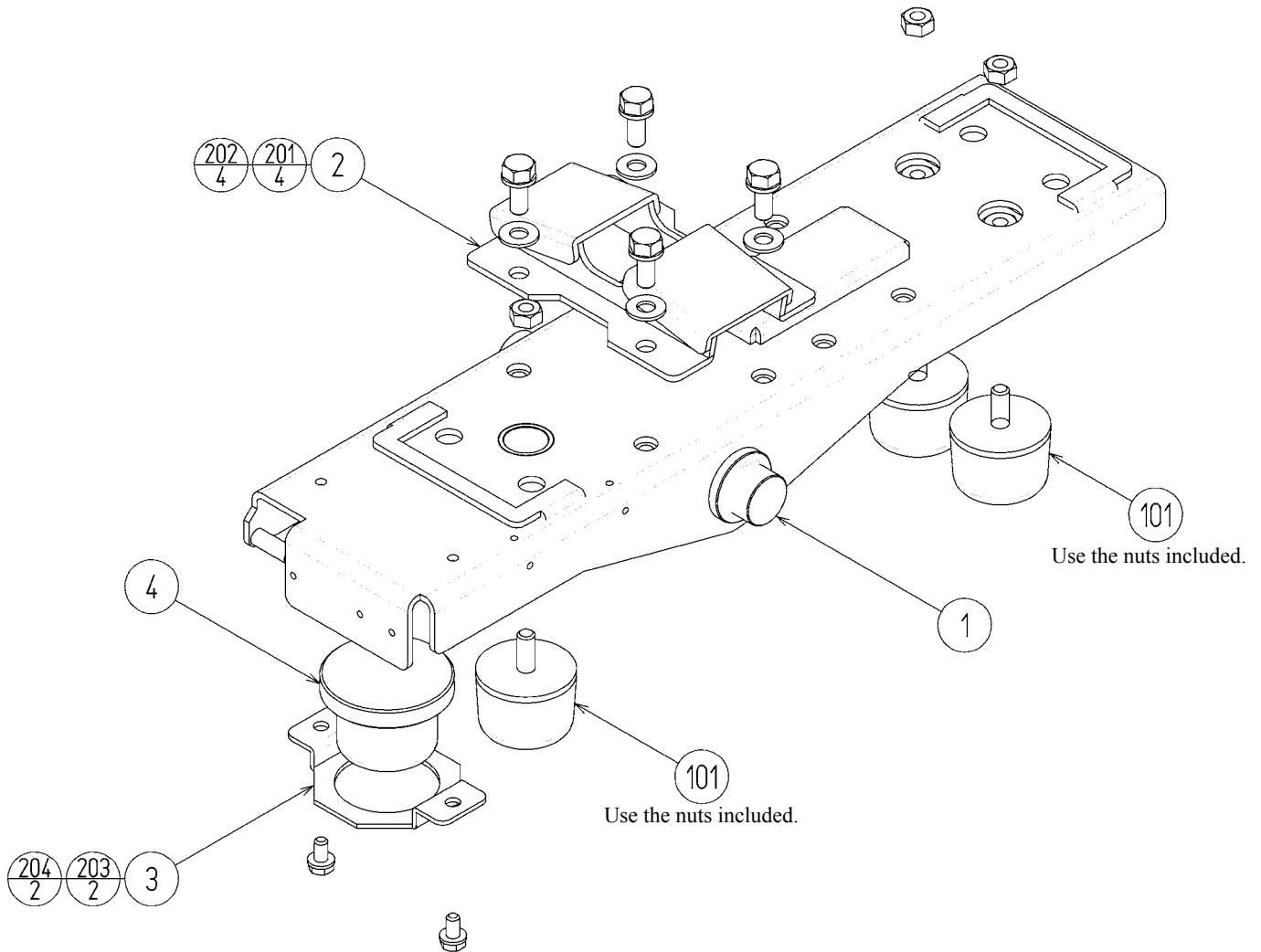


33 ASSY ROLL SHAFT (SSF-3330)

(D-2/2)

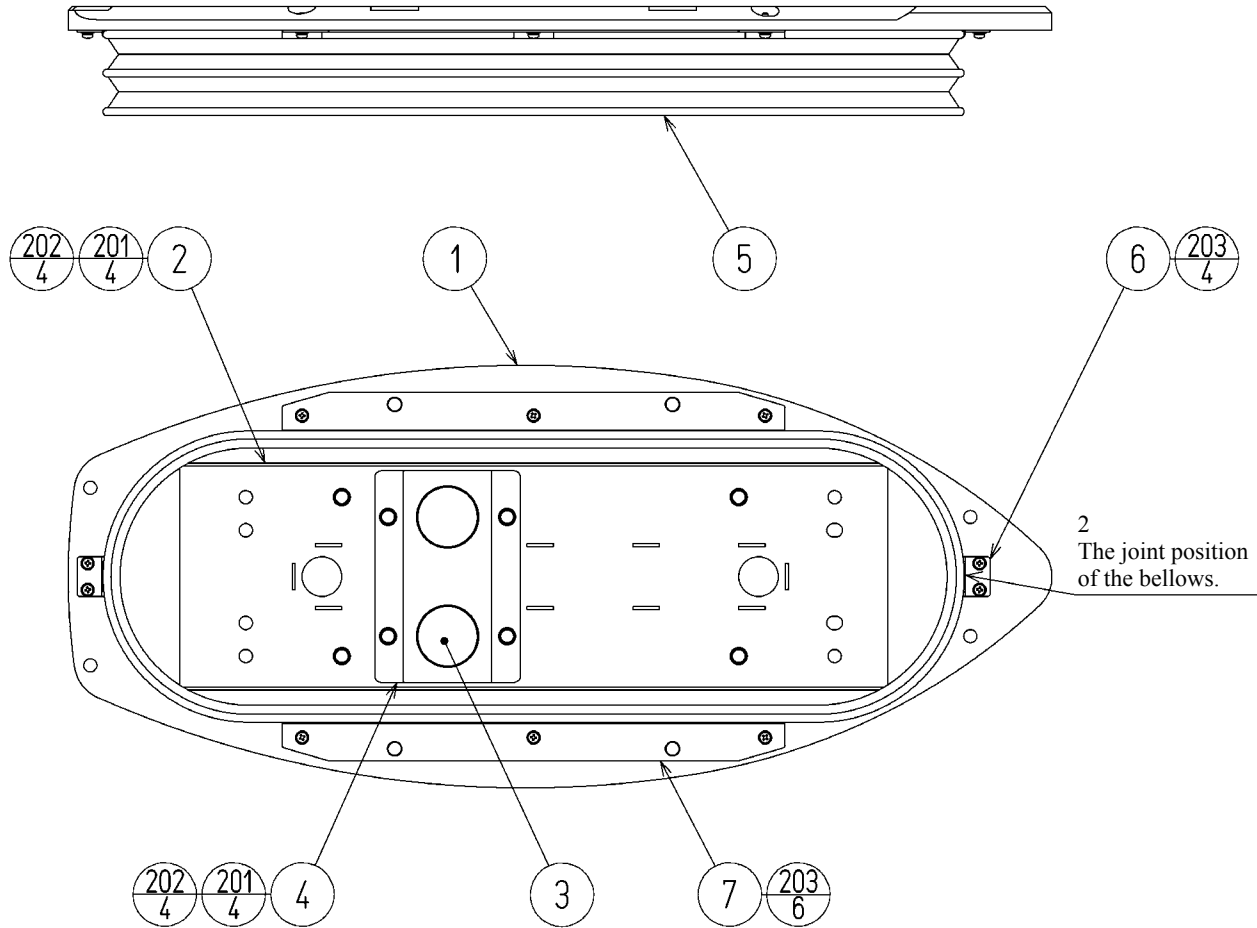
ITEM NO.	PART NO.	DESCRIPTION	NOTE
1	SSF-3331	ROLL SHAFT	
2	SSF-3332	ROLL SHAFT COLLAR	
3	SSF-3333	FLT WSHR 12.5-30×3.2	
4	SSF-3334	GEAR HOLDER 110	
5	ASL-3251	MOUNT BLOCK	
6	601-6450	GEAR 110	
101	100-5410	BEARING UNIT 20	
102	601-8458	ROSTA 22 DR-S27×100	
201	050-H01200	HEX NUT M12	
202	060-S01200	SPR WSHR M12	
203	028-A00408-P	SET SCR HEX SKT CUP P M4×8	
204	000-P00410-W	M SCR PH W/FS M4×10	

34 ASSY PITCH BASE (SSF-3350)

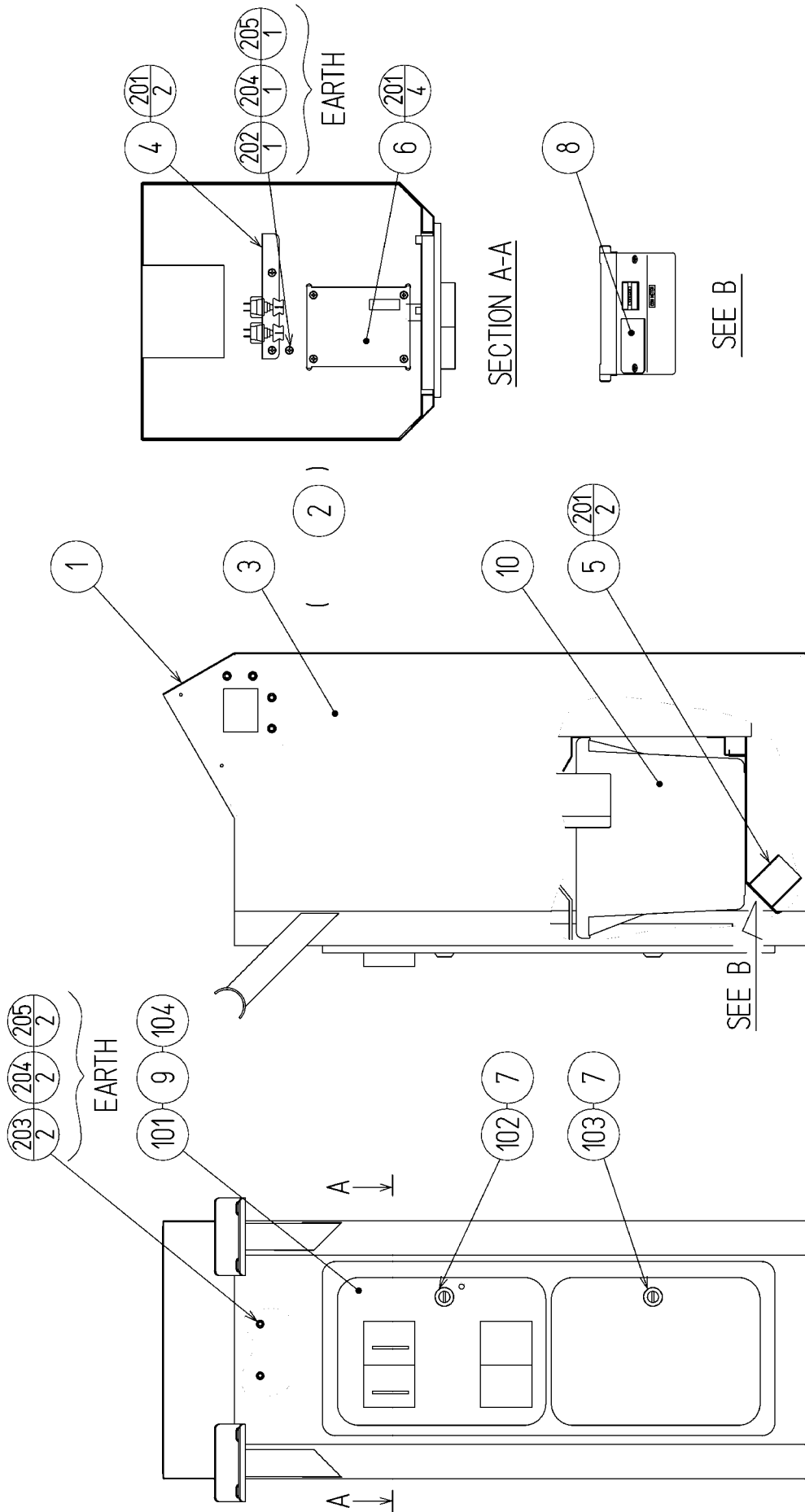


ITEM NO.	PART NO.	DESCRIPTION	NOTE
1	SSF-3351	PITCH BASE	
2	SSF-3352	ROLL STOPPER BRKT	
3	SSF-3353	PITCH STOPPER HOLDER	
4	SSF-3354	PITCH STOPPER RUBBER	
101	601-11146	STOPPER RUBBER RI-45HD L=19.1	Use the nuts included (and discard the spring washers).
201	030-000820-S	HEX BLT W/S M8×20	
202	060-F00800	FLT WSHR M8	
203	030-000612-S	HEX BLT W/S M6×12	
204	060-F00600	FLT WSHR M6	
205	000-P00408	M SCR PH M4×8	
206	060-S00400	SPR WSHR M4	
207	060-F00400	FLT WSHR M4	

35 ASSY BOARD (SSF-3400)



ITEM NO.	PART NO.	DESCRIPTION	NOTE
1	SSF-3401	BOARD	
2	SSF-3402	BOARD BASE	
3	SSF-3403	ROLL STOPPER RUBBER	
4	SSF-3404	ROLL STOPPER HOLDER	
5	SSF-3405	BELLOWS	
6	SSF-3406	BELLOWS HOLDER	
7	SSF-3407	BELLOWS HOLDER SIDE	
201	030-000620-S	HEX BLT W/S M6×20	
202	060-F00600	FLT WSHR M6	
203	000-P00416-W	M SCR PH W/FS M4×16	

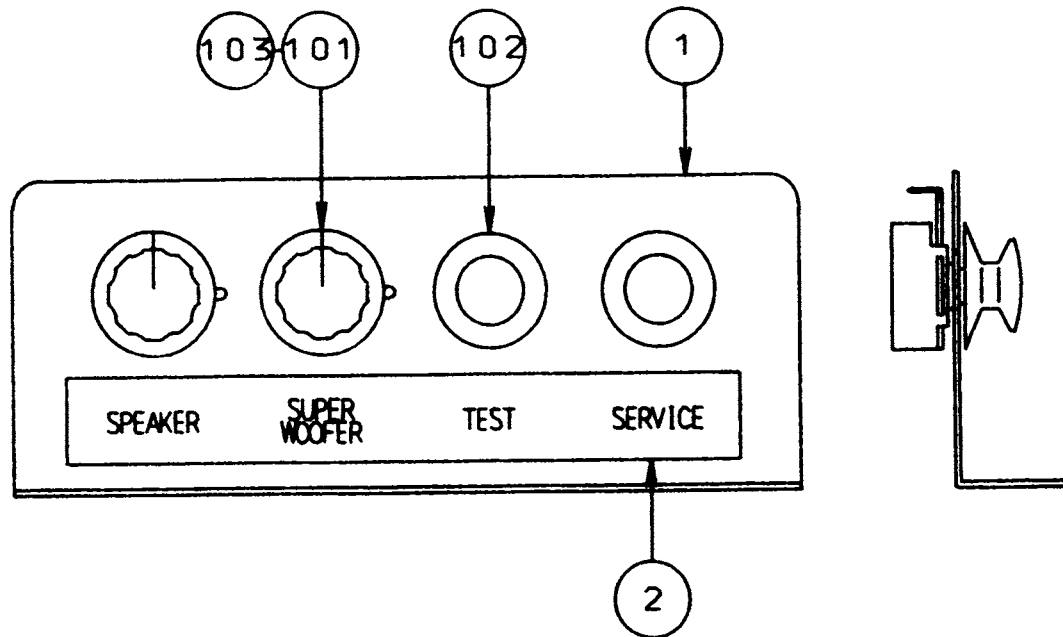


③⑥ ASSY COINCHUTE TOWER (SSF-3500)

(D-2/2)

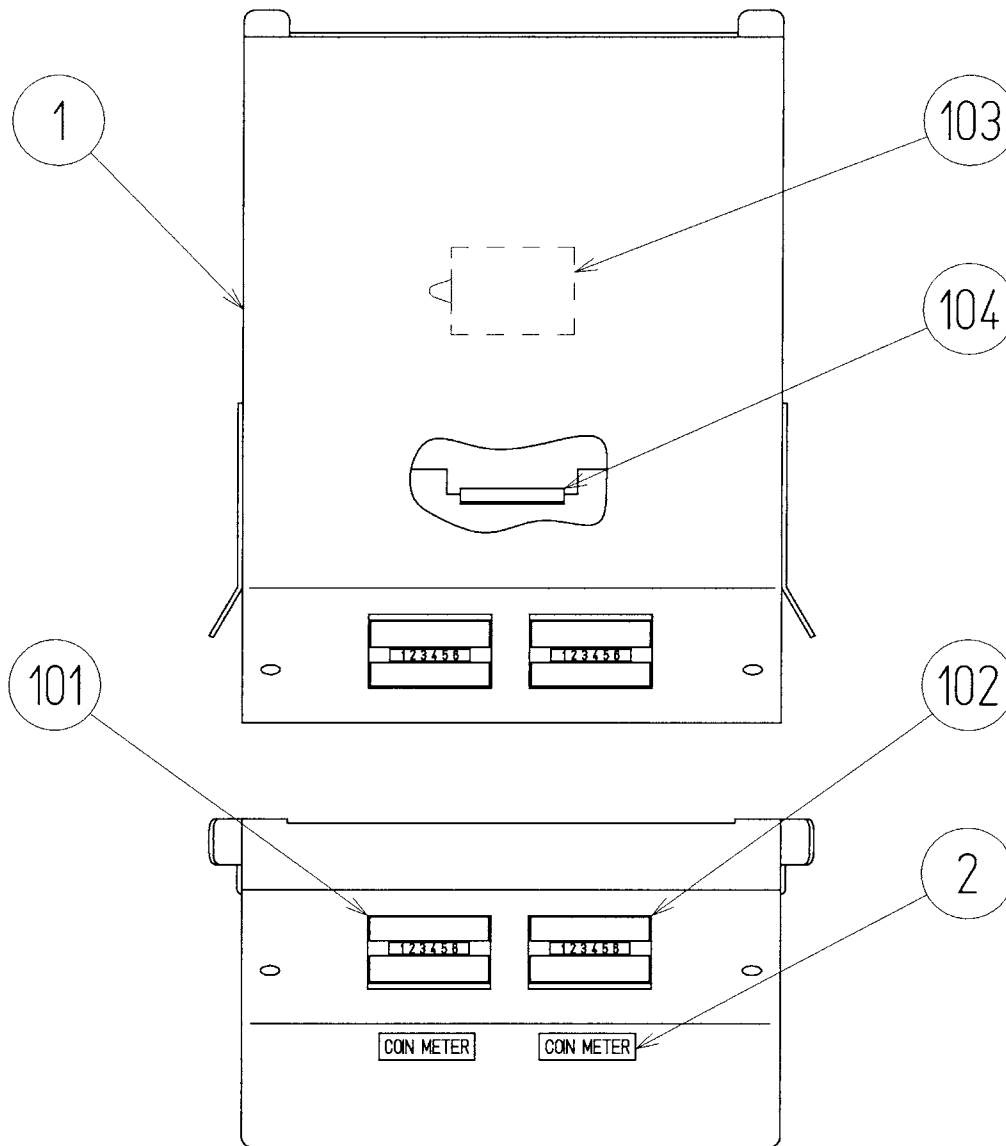
ITEM NO.	PART NO.	DESCRIPTION	NOTE
1	SSF-3501	COINCHUTE TOWER	
2	SSF-3502	STICKER BOX UPPER L	
3	SSF-3503	STICKER BOX UPPER R	
4	INY-1180	SW UNIT	
5	CKT-1160-01	METER UNIT TWIN	
6	105-5172	CHUTE PLATE DOUBLE	
7	DP-1167	TNG LKG Locally supplied	
8		NOT USED	
9	/		
10	253-5366	CASH BOX	
101	220-5237-92~	ASSY C.C 2DR ~ Locally supplied	
102	220-5575	CAM LOCK MASTER W/O KEY Locally supplied	
103	220-5574	CAM LOCK W/KEYS Locally supplied	
201	000-P00408-W	M SCR PH W/FS M4×8	
202	000-P00408	M SCR PH M4×8	
203	050-H00400	HEX NUT M4	
204	060-S00400	SPR WSHR M4	
205	060-F00400	FLT WSHR M4	
301	SSF-60044	WH EXT SOUND TOWER	
302	SSF-60045	WH EXT TOWER	
303	SSF-60046	WH EXT SW PANEL	
304	600-6972-0150	WIRE HARN EARTH ID5 0150MM	
305	600-6972-0250	WIRE HARN EARTH ID5 0250MM	
306	600-6455-02	WIRE HARN C.C DOOR SINGLE Locally supplied	<Others> <USA>

37 SW UNIT (INY-1180)



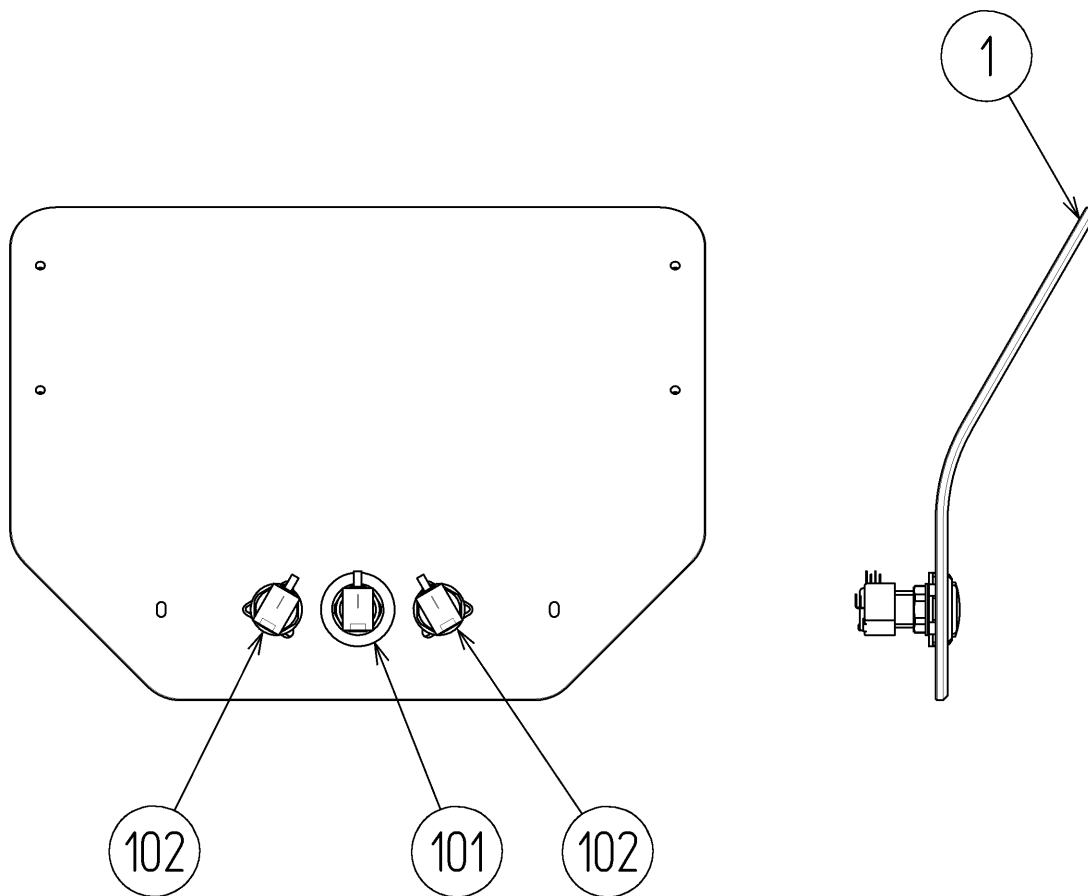
ITEM NO.	PART NO.	DESCRIPTION	NOTE
1	INY-1181	SW BRKT	
2	421-8911	STICKER SW UNIT	
101	220-5179	VOL CONT B-5K OHM	
	220-5754	VOL CONT B5KOHM	
102	509-5028	SW PB 1M	
103	601-0042	KNOB 22 MM	
301	600-6609-32	WIRE HARN TEST & SERVICE	
302	600-6609-33	WIRE HARN VOLUME A	
303	600-6609-34	WIRE HARN VOLUME B	

38) METER UNIT TWIN (CKT-1160-01)



ITEM NO.	PART NO.	DESCRIPTION	NOTE
1	CKT-1161	METER BRKT	
2	421-6591-01	STICKER COIN METER	
101	220-5643-01	MAG CNTR DC5V 6P WH MZ-674-D04	
102	220-5643-02	MAG CNTR DC5V 6P YE MZ-674-D05	
103	280-5009-01	CORD CLAMP 21	
104	601-5525-027	BUSH 1.2T	

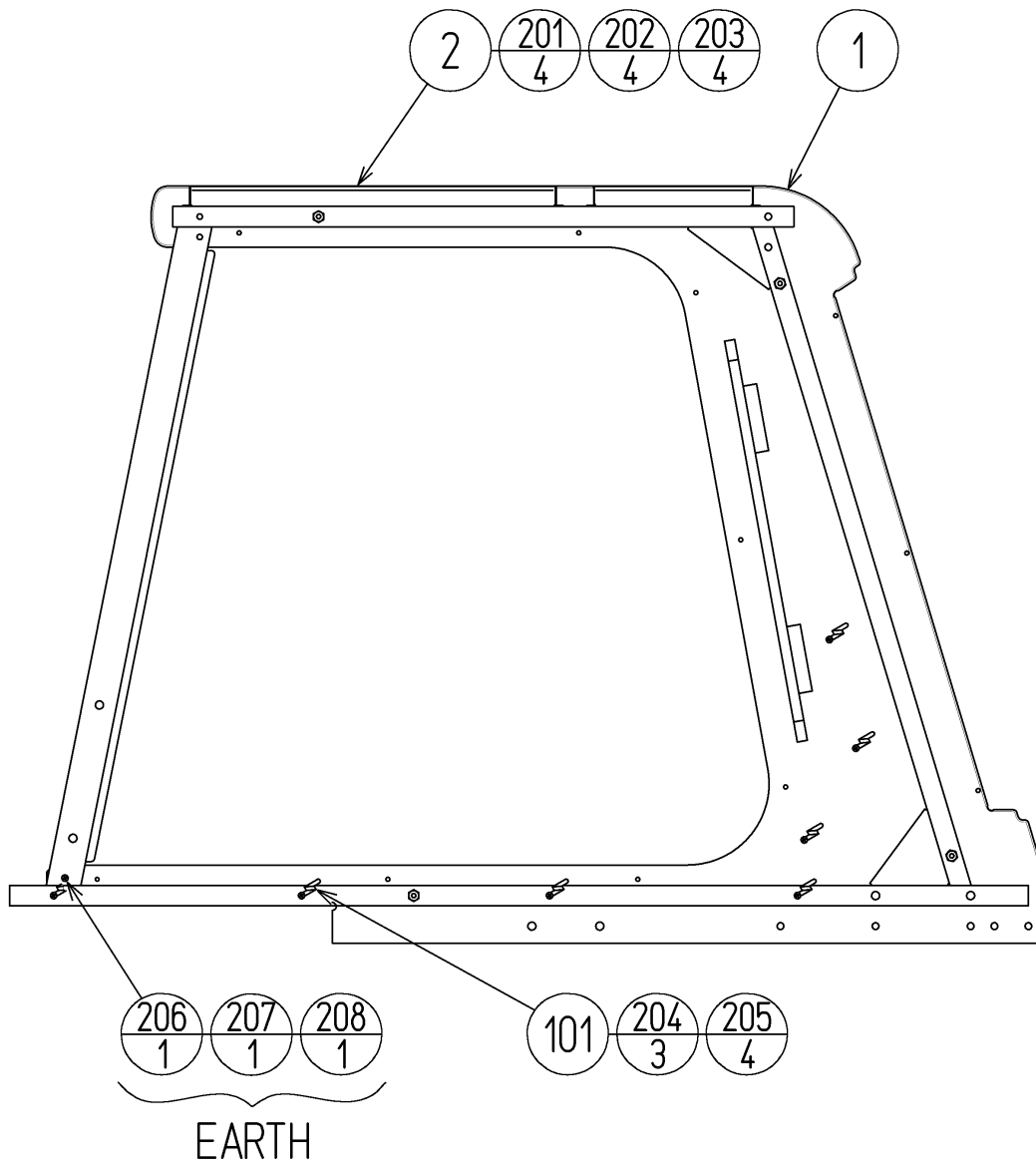
39 ASSY CONTROL PANEL (SSF-3580)



Note: Attach direction of the terminal (101) (102), as shown in the figure.

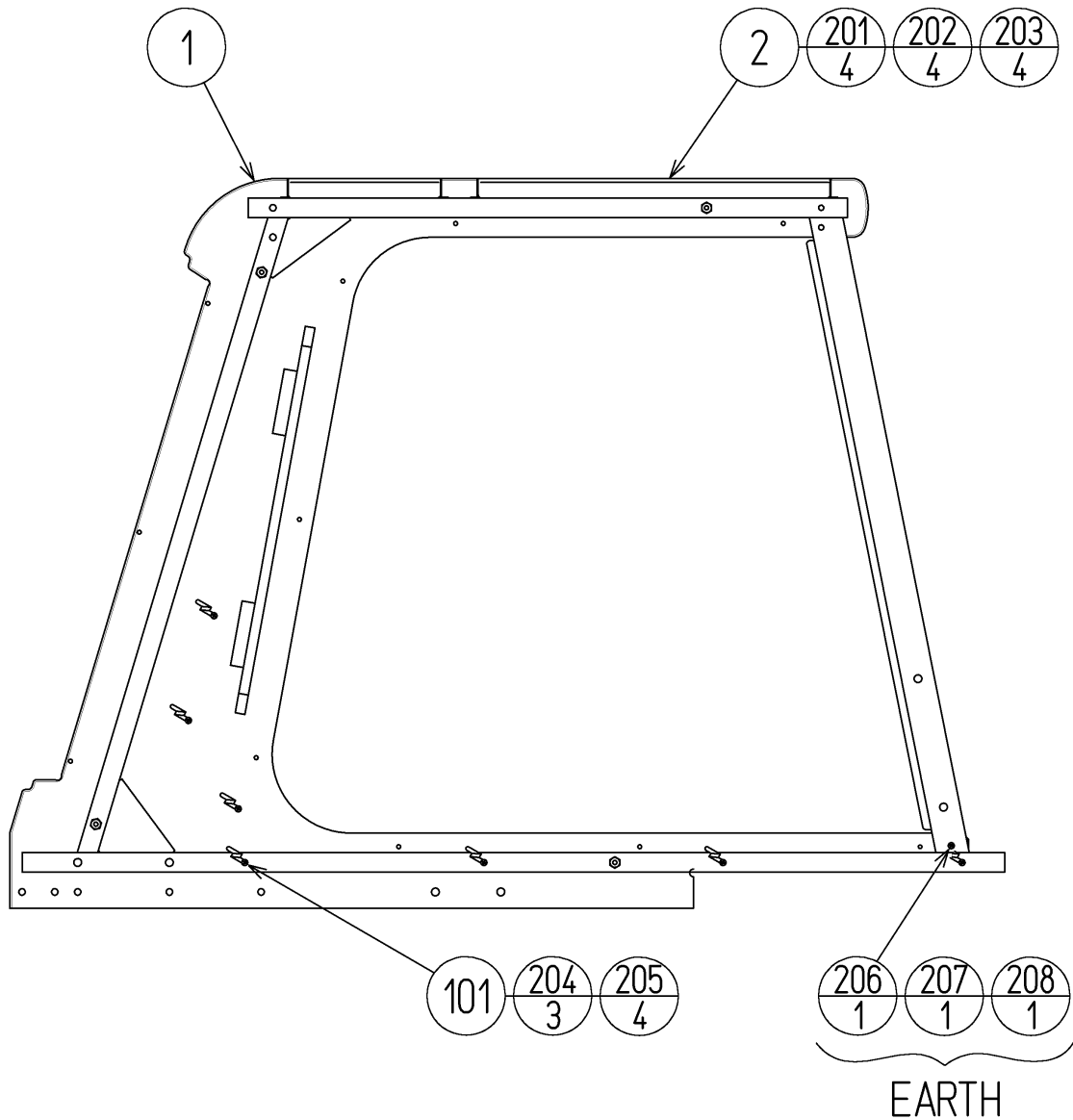
ITEM NO.	PART NO.	DESCRIPTION	NOTE
1	SSF-3581	CONTROL PANEL PLATE	
101	509-5712-01S	SW PB W/L 6V YELLOW	
102	509-5499-05-LN	SW PB TRIANGLE BLUE W/O LAMP	
301	SSF-60049	WH SW PANEL	

④ ASSY SIDE WALL L (SSF-3600)



ITEM NO.	PART NO.	DESCRIPTION	NOTE
1	SSF-3601	SIDE PANEL L	
2	SSF-3602	SIDE FRAME L	
101	280-0419	HARNESS LUG	
201	FAS-290032	HEX SKT SCR BH BLK M8×80	
202	060-S00800-0B	SPR WSHR BLK M8	
203	068-852216-0B	FLT WSHR BLK 8.5-22×1.6	
204	011-T03512	TAP SCR TH 3.5×12	
205	000-T00408	M SCR TH M4×8	
206	000-P00408	M SCR PH M4×8	
207	060-S00400	SPR WSHR M4	
208	060-F00400	FLT WSHR M4	
301	SSF-60038	WH EXT LAMP L B	

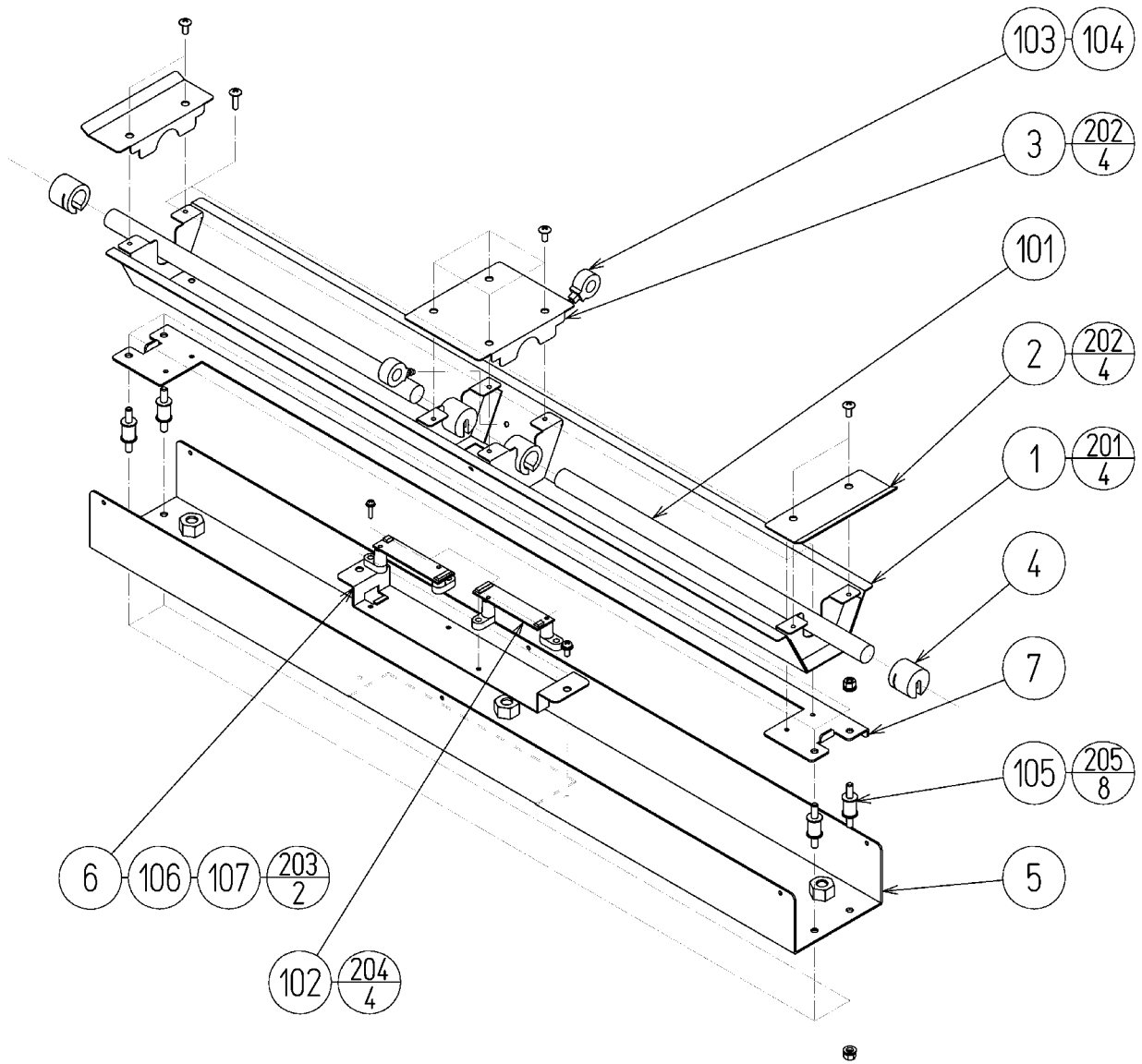
④1 ASSY SIDE WALL R (SSF-3650)



ITEM NO.	PART NO.	DESCRIPTION	NOTE
1	SSF-3651	SIDE PANEL R	
2	SSF-3652	SIDE FRAME R	
101	280-0419	HARNESS LUG	
201	FAS-290032	HEX SKT SCR BH BLK M8x80	
202	060-S00800-0B	SPR WSHR BLK M8	
203	068-852216-0B	FLT WSHR BLK 8.5-22x1.6	
204	011-T03512	TAP SCR TH 3.5x12	
205	000-T00408	M SCR TH M4x8	
206	000-P00408	M SCR PH M4x8	
207	060-S00400	SPR WSHR M4	
208	060-F00400	FLT WSHR M4	
301	SSF-60039	WH EXT LAMP R	

42 LAMP UNIT (SSF-3630) *

(D-1/2)



Note: Attach 105 using the nuts and the spring washers included.

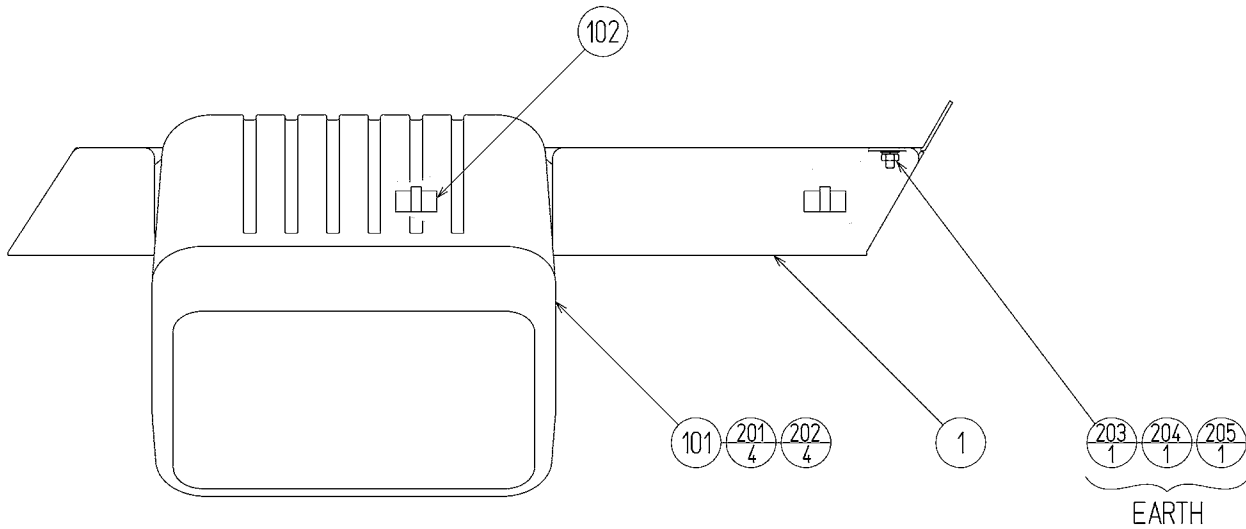
* Drawing differs from actual part

④2 LAMP UNIT (SSF-3630)

(D-2/2)

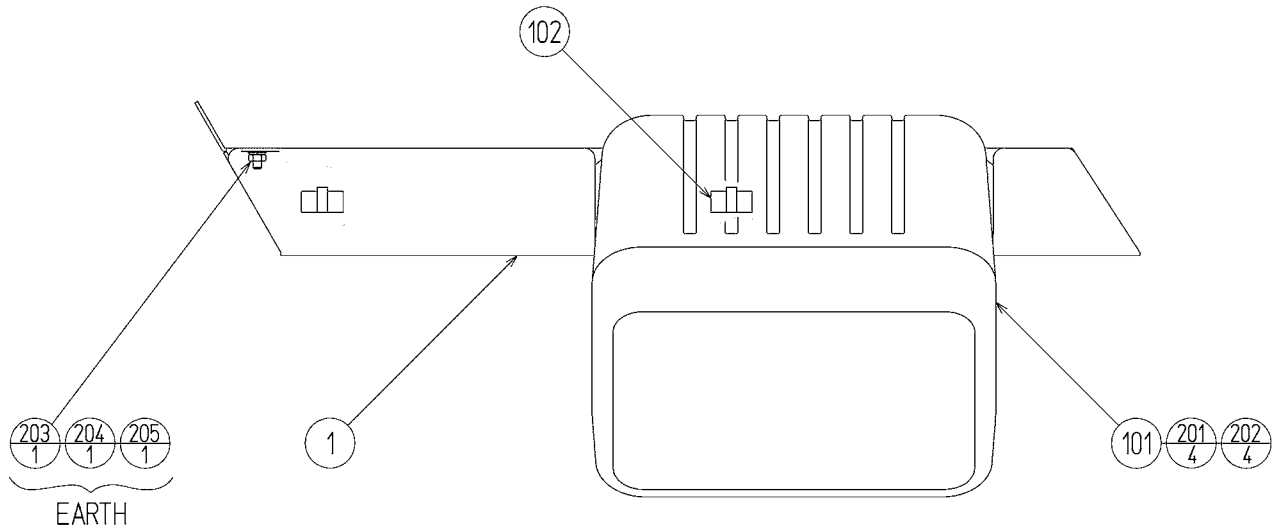
ITEM NO.	PART NO.	DESCRIPTION	NOTE
1	SSF-3631	REFLECTOR	
2	SSF-3632	TUBE HOLDER A	
3	SSF-3633	TUBE HOLDER B	
4	ATR-3604	LAMP HOLDER	
5	SSF-3634	LAMP BASE	
6	/		
7	SSF-3636	DUMPER BRKT	
101	999-1420	LIGHT ROPE - BLUE	
102	/		
103	270-5052-04	L.FILTER D	
104	280-5286	SELF MOUNT TIE 3.3	
105	601-8288	RUBBER DUMPER	Use the nuts and the spring washers included.
106	601-5525-013	BUSH 1.2T	
107	280-5275-SR10	CORD CLAMP SR10	
201	000-T00412-0C	M SCR TH CRM M4×12	
202	000-T00408-0C	M SCR TH CRM M4×8	
203	000-P00408-W	M SCR PH W/FS M4×8	
204	000-P00310-W	M SCR PH W/FS M3×10	
205	060-F00500	FLT WSHR M5	
301	SSF-60040	WH LAMP UNIT	
NOT PICTURED	998-0163	SOLID STATE RELAY BD DC12V	
NOT PICTURED	S210-103-000	SSR COVER (PERF) #GRAND PRODUCTS	
NOT PICTURED	S210-102-000	BRACKET MOUNTING NEON LIGHT #GRAND PRODUCTS	

43 ASSY SPEAKER L (SSF-3700)

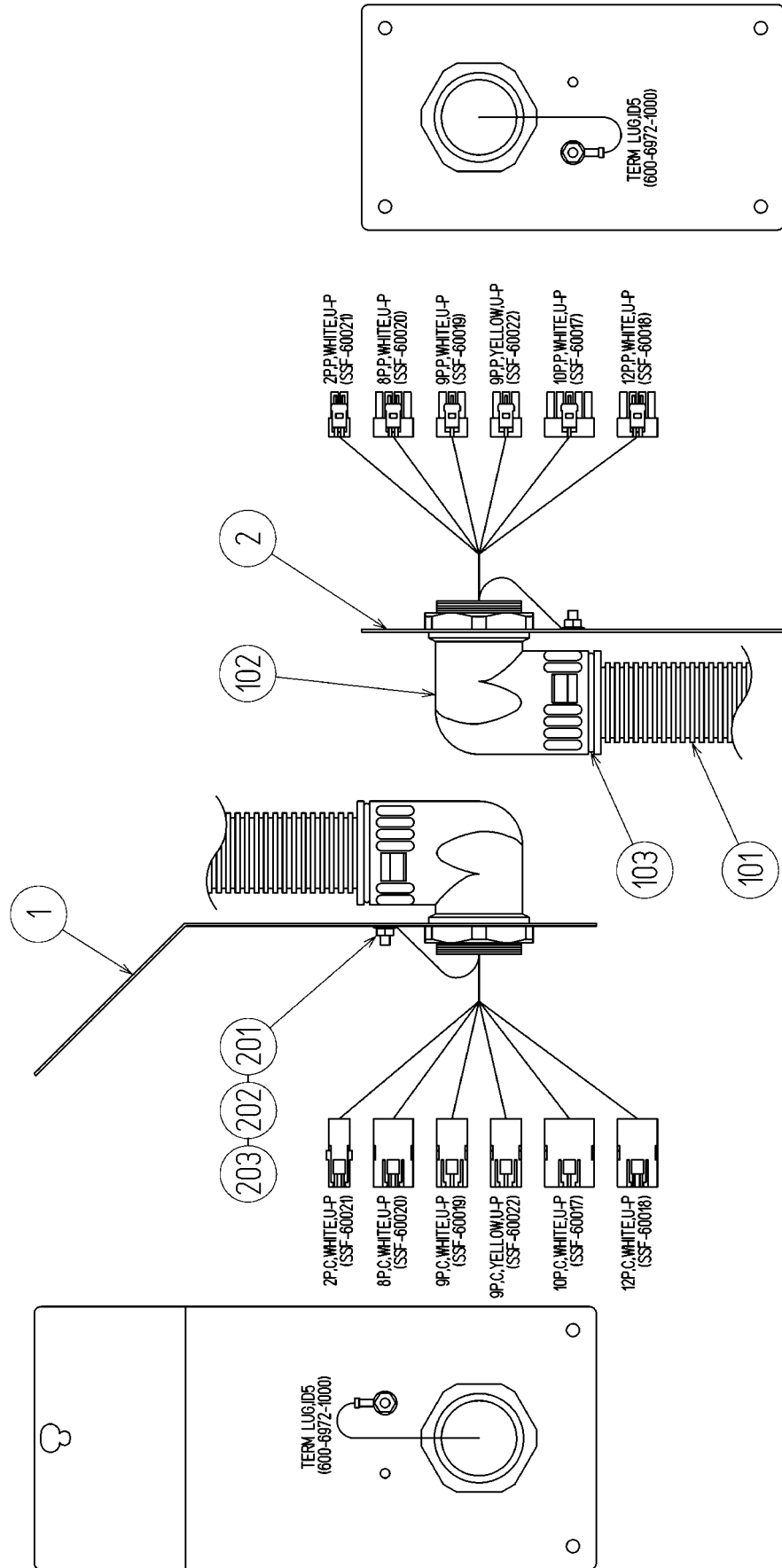


ITEM NO.	PART NO.	DESCRIPTION	NOTE
1	SSF-3701	SPEAKER HOLDER L	
101	130-5228	SPEAKER BOX 4OHM 40W	
102	280-5275-SR10	CORD CLAMP SR10	
201	012-P00512-0B	TAP SCR #2 PH BLK 5×12	
202	060-F00500-0B	FLT WSHR BLK M5	
203	050-H00400	HEX NUT M4	
204	060-S00400	SPR WSHR M4	
205	060-F00400	FLT WSHR M4	
301	SSF-60047	WH EXT SPEAKER L	

④④ ASSY SPEAKER R (SSF-3750)



ITEM NO.	PART NO.	DESCRIPTION	NOTE
1	SSF-3751	SPEAKER HOLDER R	
101	130-5228	SPEAKER BOX 4OHM 40W	
102	280-5275-SR10	CORD CLAMP SR10	
201	012-P00512-0B	TAP SCR #2 PH BLK 5×12	
202	060-F00500-0B	FLT WSHR BLK M5	
203	050-H00400	HEX NUT M4	
204	060-S00400	SPR WSHR M4	
205	060-F00400	FLT WSHR M4	
301	SSF-60048	WH EXT SPEAKER R	



(45) ASSY TUBE (SSF-6001)

(D-2/2)

ITEM NO.	PART NO.	DESCRIPTION	NOTE
1	SSF-0012	TUBE LID	
2	ATR-0006	TUBE PLATE	
101	S004-264-000	TUBBING 1"X 2"L -GRAND PRODUCTS (HUBBLE B2100)	
102	S0042-073-100	CONN L 24 -GRAND PRODUCTS (HUBBLE P100NBKA)	
103	601-10360-29	STOPPER RING 29	
201	050-H00400	HEX NUT M4	
202	060-S00400	SPR WSHR M4	
203	060-F00400	FLT WSHR M4	
301	SSF-60017	WH EXT SOUND TUBE	
302	SSF-60018	WH EXT TOWER TUBE	
303	SSF-60019	WH EXT SW TUBE	
304	SSF-60020	WH EXT LAMP TUBE	
305	SSF-60021	WH EXT BRAKE TUBE	
306	SSF-60022	WH EXT VR TUBE	
307	600-6972-1000	WIRE HARN EARTH ID5 1000MM	

19. WIRE COLOR CODE TABLE

THE WIRE COLOR CODE is as follow:

A	PINK
B	SKY BLUE
C	BROWN
D	PURPLE
E	LIGHT GREEN

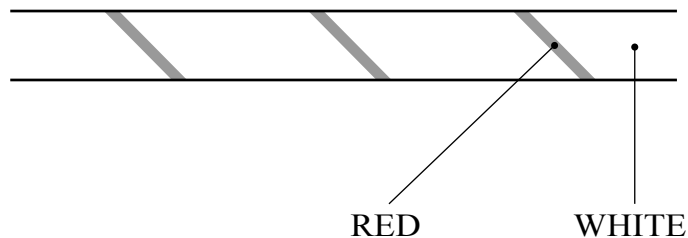
Wires other than those of any of the above 5 single colors will be displayed by 2 alphanumeric characters.

1	RED
2	BLUE
3	YELLOW
4	GREEN
5	WHITE
7	ORANGE
8	BLACK
9	GRAY

If the right-hand side numeral of the code is 0, then the wire will be of a single color shown by the left-hand side numeral (see the above).

Note 1: If the right-hand side alphanumeric is not 0, that particular wire has a spiral color code. The left-hand side character shows the base color and the right-hand side one, the spiral color.

<Example> 51..... WHITE / RED



Note 2: The character following the wire color code indicates the size of the wire.

U:	AWG16
K:	AWG18
L:	AWG20
None:	AWG22

Warranty

Your new Sega Product is covered for a period of 90 days from the date of shipment. This certifies that the Printed Circuit Boards, Power Supplies and Monitor are to be free of defects in workmanship or materials under normal operating conditions. This also certifies that all Interactive Control Assemblies are to be free from defects in workmanship and materials under normal operating conditions. No other product in this machine is hereby covered.

Sellers sole liability in the event a warranted part described above fails shall be, at its option, to replace or repair the defective part during the warranty period. For Warranty claims, contact your Sega Distributor.

Should the Seller determine, by inspection that the product was caused by Accident, Misuse, Neglect, Alteration, Improper Repair, Installation or Testing, the warranty offered will be null and void.

Under no circumstances is the Seller responsible for any loss of profits, loss of use, or other damages.

This shall be the exclusive written Warranty of the original purchaser expressed in lieu of all other warranties expressed or implied. Under no circumstance shall it extend beyond the period of time listed above.



SEGA ENTERPRISES, INC. (USA)

45133 Industrial Drive
Fremont, CA 94538
(415) 701-6580 phone
(415) 701-6594 fax