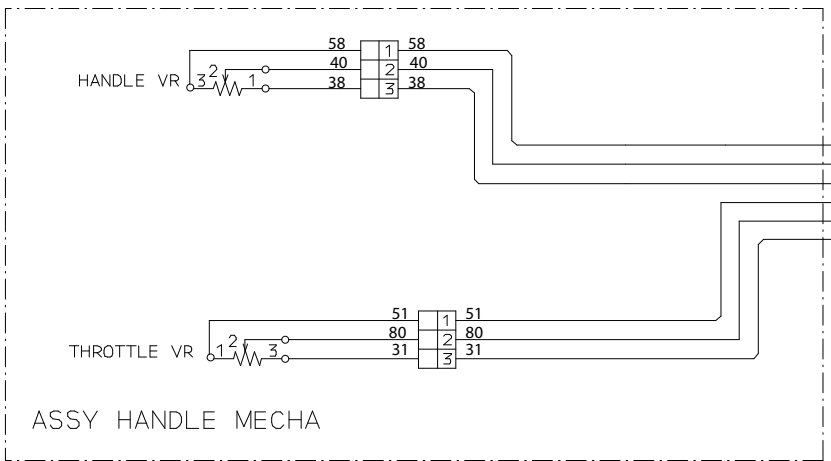
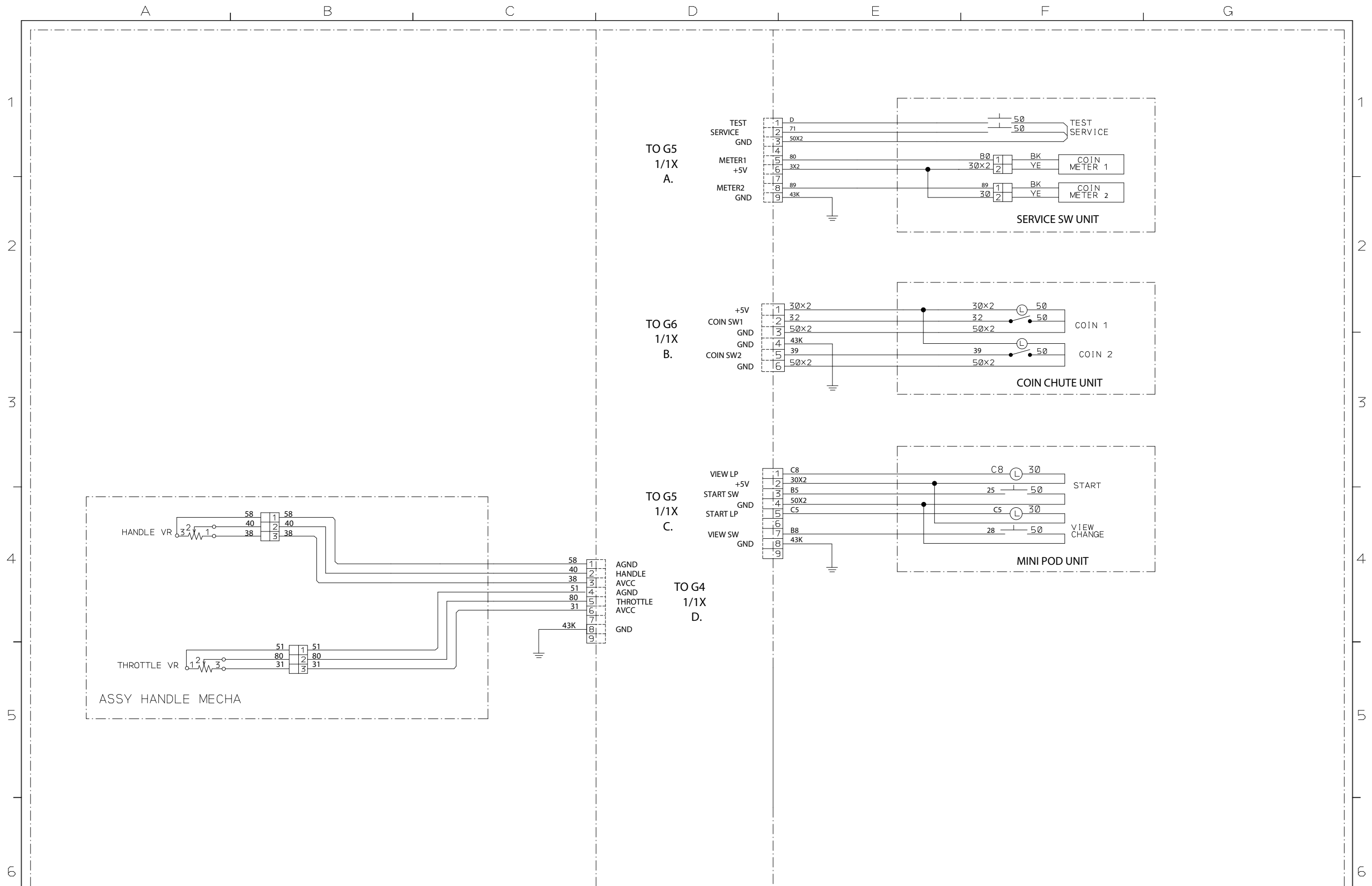


| ALTERATION | DESCRIPTION | DATE | BY |
|------------|-------------|------|----|
| 1          | WIRE COLOR  |      |    |

| WIRE COLOR | AWG    | UL           |
|------------|--------|--------------|
| 8          | BLACK  | AWG20        |
| 7          | ORANGE | AWG20        |
| 5          | WHITE  | AWG20        |
| 4          | GREEN  | AWG16 UL1015 |
| 3          | YELLOW | AWG18 UL1015 |
| 2          | BLUE   | AWG20 UL1007 |
| 1          | RED    | AWG22 UL1007 |

|                          |  |   |             |
|--------------------------|--|---|-------------|
| SEGA CORPORATION         |  | THIS DRAWING WILL IN NO WAY BE COPIED.<br>TO BE RETURNED ON DEMAND. |             |
| <b>WAVERUNNER GP STD</b> |  | (1/X)   |             |
| DESCRIPTION              |  |   | DIAGRAM No. |



TO G5  
1/1X  
A.

TO G6  
1/1X  
B.

TO G5  
1/1X  
C.

TO G4  
1/1X  
D.

|   |        |   |             |         |       |              |
|---|--------|---|-------------|---------|-------|--------------|
| 8 | BLACK  | E | LIGHT GREEN | 50L     | WHITE | AWG20        |
| 7 | ORANGE | D | PURPLE      | S1      | WHITE | RED          |
| 5 | WHITE  | C | BROWN       | 50      | WHITE |              |
| 4 | GREEN  | B | SKY BLUE    | EXAMPLE |       |              |
| 3 | YELLOW | A | PINK        | U       | AWG16 | UL1015       |
| 2 | BLUE   |   |             | K       | AWG18 | UL1015       |
| 1 | RED    |   |             | L       | AWG20 | UL1007       |
|   |        |   |             |         |       | AWG22 UL1007 |

**SEGA** SEGA CORPORATION  
**WAVERUNNER GP STD**

THIS DRAWING WILL IN NO WAY BE COPIED.  
 TO BE RETURNED ON DEMAND.

(2/X)

ALTERATION

DESCRIPTION

DIAGRAM No.